

Balcrank

Heavy Duty Drum Cart

Model 4320-008



Thoroughly read and understand this manual before installing, operating or servicing this equipment.

Operation, Installation,
Maintenance and Repair Guide

General Safety



Caution:

1) Always read and follow the fluid manufacturers's recommendations regarding the use of protective eye wear, clothing, gloves, and other personal equipment.

2) Never alter or modify any parts of this product; doing so may cause damage and/or personal injury.



IMPORTANT

Read these safety warnings and instructions in this manual completely, before assembly and use of this

drum cart. It is the responsibility of the purchaser to retain this manual for reference. Failure to comply with the recommendations stated in this manual could damage the drum cart and void factory warranty.



WARNING

Do not step on or stand on drum cart.

Do not leave the drum cart on an incline or unattended. Always apply the wheel brake when the dolly is not being moved. Always use the safety chain to secure the drum. Always disconnect the air supply before moving the dolly.

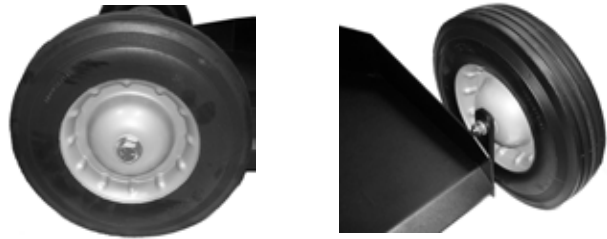
General Description

The Model 4320-008 Heavy Duty Drum Cart is designed to easily and securely hold a 55 gallon drum. It rolls smoothly on two 12-inch semi-pneumatic rubber wheels and a non-marking caster with brake.

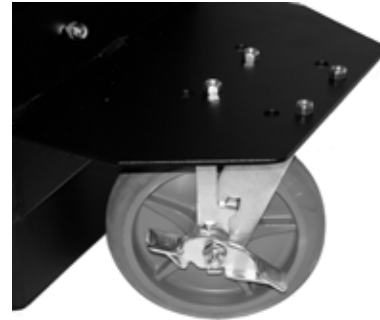
Assembly

The drum cart should be fully assembled before use.

- 1) Remove all components from shipping carton.
- 2) Attach each rear wheel with the bolt, washer and nut provided.



- 3) Attach caster with bolts and nylok nuts provided.



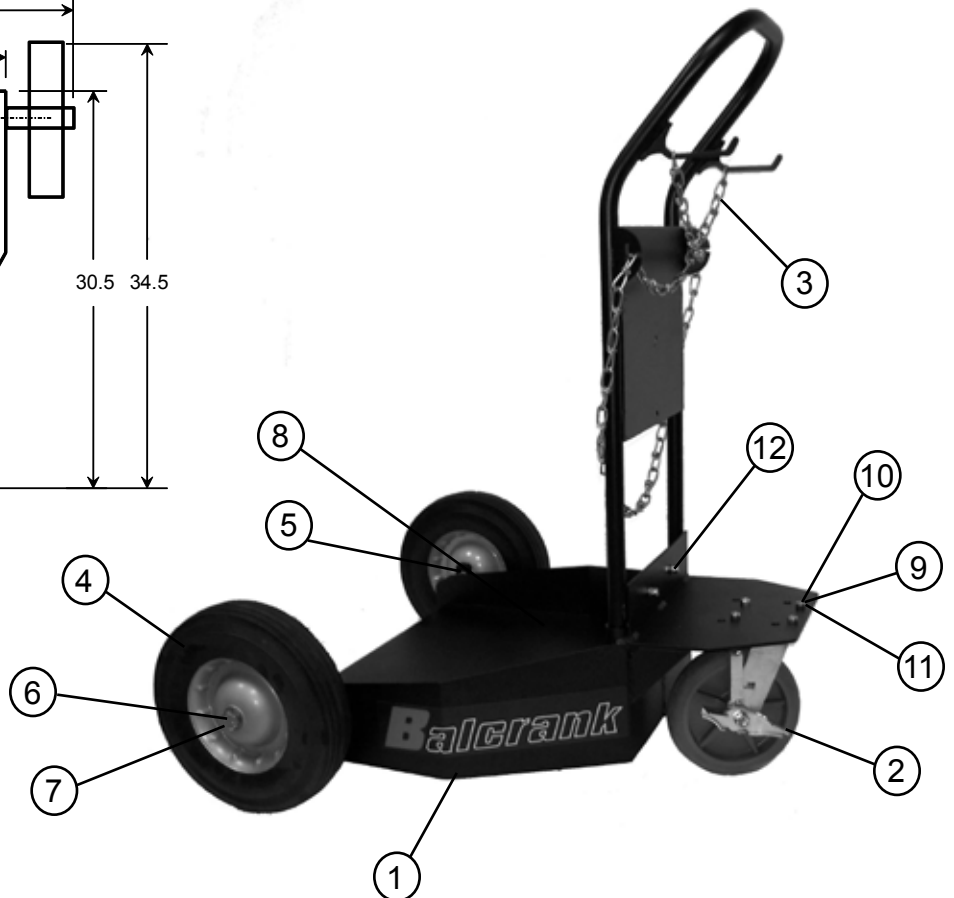
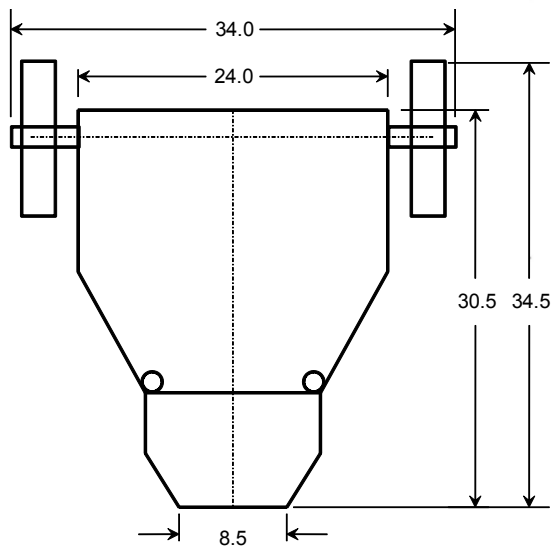
- 4) Attach handle by sliding it into the supports on the cart. Secure the handle with the bolts and nylok nuts.



Parts List

Item	Part Number	Description	Qty
1	833243	Cart. Drum - 55 Gal.	1
2	832789	Caster, 8" With Brake	1
3	831411	Chain, Security, Drum Cart - 72"	1
4	830800	Wheel, 12" Semi-pneumatic	2
5	832820	Axle, 4320-007 Portable Cart	2
6	828346	7/16" NSS Flat Washer (for 830800 wheel)	2
7	805841	Washer, Lock 1/2" Zinc (for 830800 wheel)	2
8	850168	Spacer Nut 7/16"-20 (for 830800 wheel)	2
9	805795	Bolt HHC 3/8"-16 x 3/4" (for 832789 caster)	4
10	806629	Washer, Flat SAE 3/8" Zinc	8
11	805723	Nut, Hex, Grip Lock 3/8"-16 Zinc	6
12	805824	Screw HHC 3/8"-16 x 1" Zinc (for securing handle)	2

Footprint



**For Warranty Information Visit:
www.balcrank.com**

Balcrank Corporation
115 Reems Creek Road
Weaverville, NC 28787
800-747-5300
800-763-0840 Fax
www.balcrank.com

Revision Log:
Rev A - Release 11/09
Rev B - Added footprint
Rev C - Changed part number for
item 1 in parts list

SERVICE BULLETIN SB4035
Rev C 12/14