

Balcrank®



ROTARY PUMP

Models: 1300-020
1300-022

Thoroughly read and understand this manual before installing, operating or servicing this equipment.

**OPERATION, INSTALLATION,
MAINTENANCE AND REPAIR GUIDE**

GENERAL SAFETY

Thoroughly read and understand this manual before installing, operating or servicing the described products.

Guide to Safety Comments:

NOTE: Gives more explanation of a procedure, or a helpful hint.



CAUTION: Alerts user to avoid or correct a condition which may or could cause damage and/or destroy the equipment.



WARNING: Alerts user to avoid or correct conditions which could cause bodily injury.

GENERAL DESCRIPTION

The Balcrank® 1300-020 and -022 hand operated rotary vane transfer pumps, with smooth and easy turning handle, can deliver approximately 7.5 gallons of fluid per minute (100 revolutions).

SAFETY INSTRUCTIONS

To ensure safe and efficient operation, it is essential to read and follow each of these warnings and precautions.

1. **Improper use or installation of this product can cause serious bodily injury or death**
2. Do **NOT** smoke near pump or use pump near an open flame. Fire could result.



WARNING: This product should not be used for fluid transfer into aircraft. This product is not suited for use with fluids for human consumption, medical products, or fluids containing water.

TECHNICAL INFORMATION

Design Features:

- 1" NPT inlet, 1" O.D. discharge spout
- Heavy duty cast iron construction
- Smooth, easy action
- 2" NPT threaded bung adapter
- Suction pipe included

Fluid Compatibility:

If in doubt about compatibility of a specific fluid, contact supplier of fluid to check for any adverse reactions to the following wetted materials:


- Cast Iron
- Galvanized Steel
- Neoprene

The pump is compatible with the following fluids:

- Diesel, Kerosene, Machine Oil, Fuel Oil, Agricultural Fluids, Detergents, Lube Oil, Noncorrosive Petroleum Products

DO NOT use the pump with the following fluids:

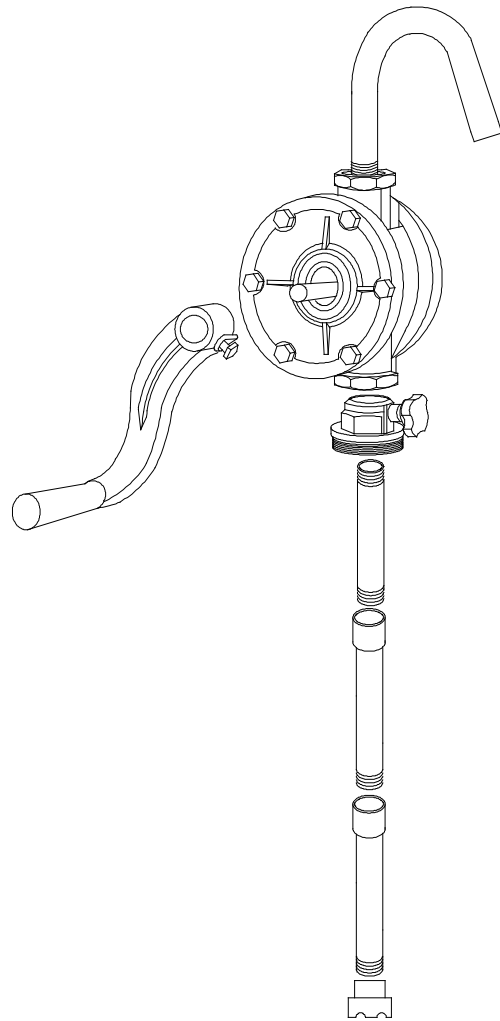
- Organic Solvents, Strong Alkalis, Strong Acids, Water

	<p>WARNING</p> <p>DANGER: Not for use with fluids that have a flash point below 100°F (38°C, examples: gasoline, alcohol)</p> <p>Sparking could result in an explosion which could result in death.</p>
---	--

INSTALLATION

Use oil resistant pipe compound or teflon tape on all threaded joints.

1. Assemble suction pipe per exploded view of pump.
2. Slip barrel bung over suction pipe nipple.
3. Place assembly into tank or barrel and tighten bung adaptor mounting flange.
4. Screw pump inlet into suction pipe nipple.
5. Set pump height by tightening bung adaptor clamp screw into suction pipe nipple.



OPERATING INSTRUCTIONS

1. Rotate handle several times clockwise, (direction indicated by arrow mark.)
2. If a hose is attached to the outlet spout, liquid will be continuously delivered by siphon effect as long as there is a head between the liquid levels.
3. Siphon effect stops by turning the handle approximately 30°. Leakage in the hose joints will destroy the siphon effect. Use care to ensure good connections when attaching the hose.

TROUBLESHOOTING GUIDE

Problem	Cause	Solution
Pump will not prime	Suction line problem	Check for leaks in suction line
	Vanes sticking	Check vanes and slots for nicks, burrs or wear
	Gasket leakage	Tighten covers and joints
	Excessive rotor or vane wear	Check rotor and vanes for excessive wear or damage
Low pump capacity	Suction line problem	Check for leaks in suction line
	Excessive rotor or vane wear	Check rotor and vanes for excessive wear or damage
Pump fluid leakage	Dirty seal	Clean o-ring seal and seat area
	Bad seal	Replace seal
	Gasket leakage	Tighten covers and joints

Balcrank Lubrication Equipment Warranty Statement

All Balcrank equipment sold by authorized Balcrank distributors is warranted to their original customer to be free from defects in materials and workmanship for a period of one year from the date of sale to that customer. Selected Balcrank equipment carries warranty terms for a more extended period as defined in the Balcrank Lubrication Equipment & Accessories User Price List, wherein a "lifetime" warranty represents a warranty period of thirty years. Within the initial one-year warranty period, Balcrank will repair or replace all Balcrank equipment determined by Balcrank to have defective materials or workmanship. For equipment carrying more extended warranties, Balcrank will repair or replace the product including parts and labor during the first full year and will provide parts only for the remainder of the warranty period.

This warranty applies only to equipment installed and operated according to applicable Balcrank Service Bulletins and Installation Instructions.

Any equipment claimed to be defective must be returned, freight prepaid, to an Authorized Balcrank Service Center (ASC). Upon receiving candidate warranty equipment from a customer, ASC will: 1) diagnose to determine the warrantable condition of the equipment, 2) submit, prior to repair or replacement, a request to Balcrank for warranty authorization, then 3) in cooperation with Balcrank, proceed with repair locally or forward the equipment to Balcrank and obtain replacement. If the part(s) or equipment items are found defective upon inspection by Balcrank, they will be repaired or replaced, and then will be returned to the ASC. If Balcrank finds the claimed part(s) or equipment not to be defective, the ASC will receive written authorization from the original customer, and then repair them for a reasonable charge to the customer, which will include all applicable parts, labor, and return transportation costs.

Optionally, the customer may submit certain eligible products directly to Balcrank for warranty return by using Balcrank Lubrication Equipment Direct Service Warranty Procedure. Eligible products are defined in the Balcrank Lubrication Equipment & Accessories User Price List. Refer to the Balcrank web site www.balcrank.com for a copy.

Any equipment returned to Balcrank must have the Warranty Service Claim number (WSC#) clearly marked on the outside of the carton. Balcrank's sole responsibility is for defects in material and workmanship, and Buyer's sole and exclusive remedy hereunder, shall be limited to repair or replacement of the defective part or equipment.

This warranty does not cover, nor shall Balcrank be liable for repair or replacement of parts or equipment resulting from general wear and tear through use, or damage or failure caused by improper installation, abuse, misapplication, abrasion, corrosion, insufficient or improper maintenance, negligence, accident, alteration, or substitution of non-Balcrank parts.

Furthermore, the Warranty for Lubrication Equipment and Accessories does not cover the following specific conditions:

- Failure or damage to equipment caused by dirt or debris in compressed air lines and fluid lines. This includes, but is not limited to, clogged inlet filters, strainers, or regulators; fluid meters; control handles; fluid tips; and valves.
- Failure of normal wear parts including but not limited to: o-rings, packings, seals and valves unless originally improperly installed by the factory.
- Products placed in applications for which their use was not intended. Examples include but are not limited to Lubricant pump being used to pump solvents, or placing equipment intended strictly for indoor use outdoors
- Damage to equipment resulting from operation above and beyond Balcrank's recommendations.
- Leaks at air and fluid fittings and connections.
- Damage caused by thermal expansion whenever adequate pressure relief was not included in the system.
- Loose suction tubes on pumps.
- Incorrect hose reel spring tension, requiring adjustment.

THERE ARE NO OTHER WARRANTIES, EXPRESSED OR IMPLIED, INCLUDING WARRANTIES OF MERCHANTABILITY OR FITNESS FOR A PARTICULAR PURPOSE. IN NO EVENT SHALL BALCRANK BE LIABLE FOR ANY SPECIAL, CONSEQUENTIAL, OR OTHER DAMAGES OF SIMILAR NATURE, INCLUDING BUT NOT LIMITED TO LOST PROFITS, LOST PRODUCTION, PROPERTY DAMAGE, PERSONAL INJURY, WHETHER SUFFERED BY BUYER OR ANY THIRD PARTY, IRRESPECTIVE OF WHETHER CLAIMS OR ACTIONS, LEGAL OR EQUITABLE, FOR SUCH DAMAGES ARE BASED UPON CONTRACTS, WARRANTY, NEGLIGENCE, STRICT LIABILITY, OR OTHERWISE. ANY CLAIM OR ACTION FOR BREACH OF WARRANTY MUST BE BROUGHT WITHIN TWO (2) YEARS FROM THE DATE OF SALE TO THE ORIGINAL CUSTOMER.

Balcrank® Corporation
115 Reems Creek Road
Weaverville, NC 28787
800-747-5300
800-763-0840 Fax
www.balcrank.com

Distributed by:

SERVICE BULLETIN SB1044
Rev A 6/08
831217