

**OUTFIT**

Side mount:  
Oil Piston Pumps

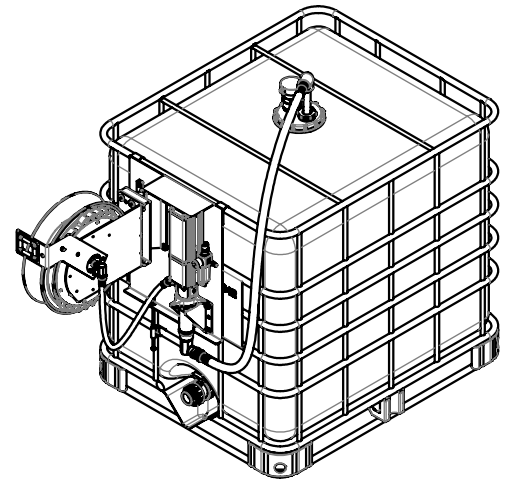
MODEL

**1137-XXX**

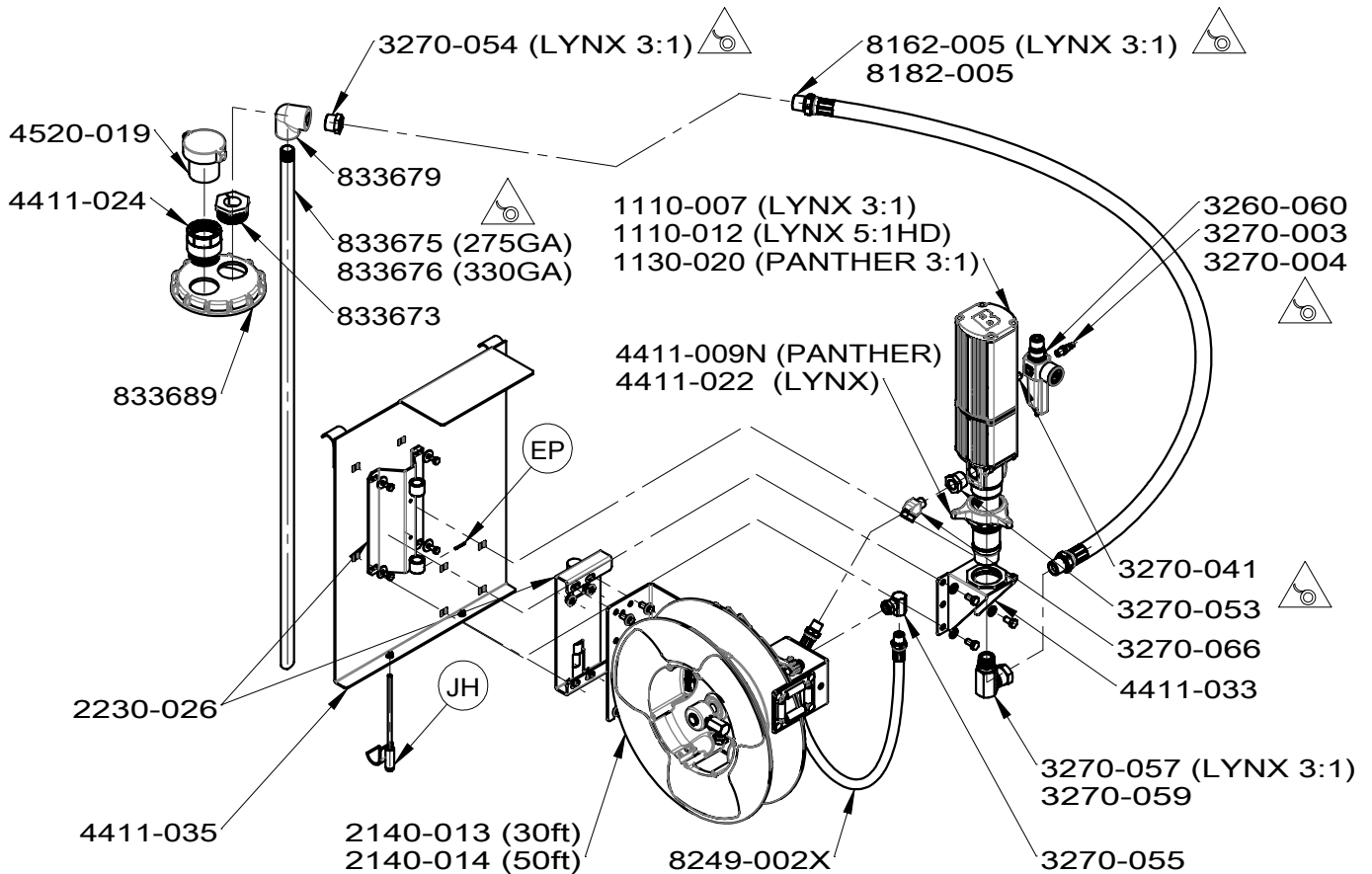
**QUICK START GUIDE**


1. Mount the pump bracket (4411-033) to the pump using the bung adapter.
2. Install fittings, couplers and air devices to the pump prior to attaching it to the side mount bracket.
3. Mount the side mount bracket (4411-035) over the tote adjusting the J Hook bolt (JH).
4. Attach the pump assembly to the side tote bracket.
5. Mount one half of the swivel bracket (2230-026) to the hose reel.
6. Install the other half of the swivel to the side mount bracket.
7. Insert the hose reel to the side mount using the elastic pin (EP).
8. Mount the 6" tote cap (833698) to the tank. Install on it the adapters 4411-024 & 833673, then place the 4520-019 and immerse the down tube.
9. Apply Teflon tape to the down tube and install the PVC elbow (833679). Insert them into the tote using the 2inch PVC bushing (833673).
10. Install hoses: ensure the threaded connections are properly sealed and tightened.

- 2-275GA
- 3-330GA
- 1-LYNX 3:1
- 2-LYNX 5:1HD
- 3-PANTHER 3:1
- 3-EVO 30'
- 5-EVO 50'



*Note: Follow the pump set-up & priming guide attached to the pump.*



 Apply teflon tape