

Balcrank[®]

ROUGHNECK II™ Pumpless Drain

Model #4110-022
FOR USED OIL ONLY
(Black)



Patent # 5,921,262

Model #4110-023
FOR USED ANTIFREEZE ONLY
(Green)



Thoroughly read and understand this manual before installing, operating or servicing this equipment.

**OPERATION, INSTALLATION,
MAINTENANCE AND REPAIR GUIDE**

GENERAL SAFETY REQUIREMENTS

NOTE: THOROUGHLY READ AND UNDERSTAND THIS MANUAL BEFORE INSTALLING, OPERATING, OR SERVICING THIS EQUIPMENT.

Terms:

NOTE: Gives more explanation of a procedure, or a helpful hint.

! CAUTION: Alerts user to avoid or correct a condition which may or could cause damage and/or destroy the equipment.

! WARNING: Alerts user to avoid or correct conditions which could cause bodily injury.

Always - read and follow the fluid and solvent manufacturers's recommendations regarding the use of protective eye wear, clothing, gloves and other personal equipment.

Check equipment regularly and repair or replace worn and damaged parts.

Never alter or modify any parts of this drain, doing so may cause damage to drain and/or personal injury.

Under no circumstances should the outlet nozzle be aimed at any person at any time. Personal injury may result.

THIS DRAIN CONTAINS ALUMINUM AND ZINC-PLATED PARTS. DO NOT use 1-1-1 Trichloroethane, methylene chloride or other halogenated hydrocarbon solvents or fluids containing such solvents in this drain. Use of these solvents/fluids may result in a violent chemical reaction, causing serious bodily injury, property damage or death.

All fluids used in this drain must be chemically compatible with the materials used to manufacture the "wetted parts". Consult your chemical supplier to ensure compatibility.

! WARNING: Do not alter or remove the dispense nozzle. The hose/nozzle assembly is designed to provide an open and uninhibited drain passage from the tank to the tip of the nozzle. Any alteration which creates a closure of this passage may result in serious product malfunction.

! WARNING: Fully raise the drain bowl prior to connecting to compressed air supply.



WARNING

This unit is equipped with an air safety valve. Do not remove/modify, or tamper with the valve in any way. Any tampering with the safety valve could result in overpressurization which could cause an explosion.

Table of Contents

Cover	1
General Safety Information.....	2
Technical Data	2
Product Description	3
Assembly	3
Dimensional Data	3
Operation/Evacuation	4
Troubleshooting	4
Parts Listing.....	5
Notes	6, 7
Warranty	8

Technical Data

Air Pressure Operating Range	5-25 psi
Capacity	23 gal.
Telescoping Range.....	0-27 in.
Maximum Pressure	25 psi
Pressure Relief Valve.....	30 psi
Air Inlet Size (Quick-connect).....	1/4"
Fluid Outlet Nozzle.....	1" O.D.
Fluid Outlet Hose	3/4" I.D.x 7' long
Estimated Evacuation Time.....	3 - 4 min.
Wetted Parts	Zinc Plated Steel, Steel,Viton®,HDPE, PVC

Viton is a registered trademark of E.I. Dupont.

Product Description

The Roughneck II™ pumpless drain is designed for fast simple disposal of used oil/antifreeze. The tank holds 23 gallons with the clear hose doubling as the dispense hose and as a visual level gauge. The bowl telescopes from 45" off the ground to 72" high, with a quick-action locking lever to securely hold the bowl at any height.

The drain is equipped with a factory set inlet air regulator as well as a preset safety relief valve. The quick connect air inlet is 1/4", and the unit comes with a mating air coupler. The drain only requires 5-25 psi to efficiently empty its reservoir.

The evacuation hose is 7' long and made of polypropylene. It has a 1" O.D. curved nozzle on the dispense end to mount securely in the used oil storage container. The estimated time to evacuate the tank is 3 to 4 minutes depending on the air pressure.

The drain has large diameter rubber wheels for ease of maneuvering through any shop. It is constructed of heavy gage steel.

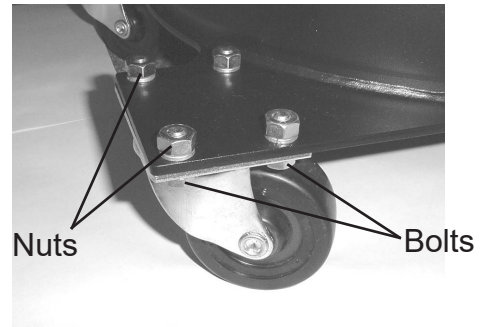
Assembly

The Roughneck II™ rolling oil drain should be fully assembled before use.

1. Remove all components from shipping carton.
2. Attach rear wheels with washers and cotter pins provided. Insure the washer is on the side of the wheel with the cotter pin.



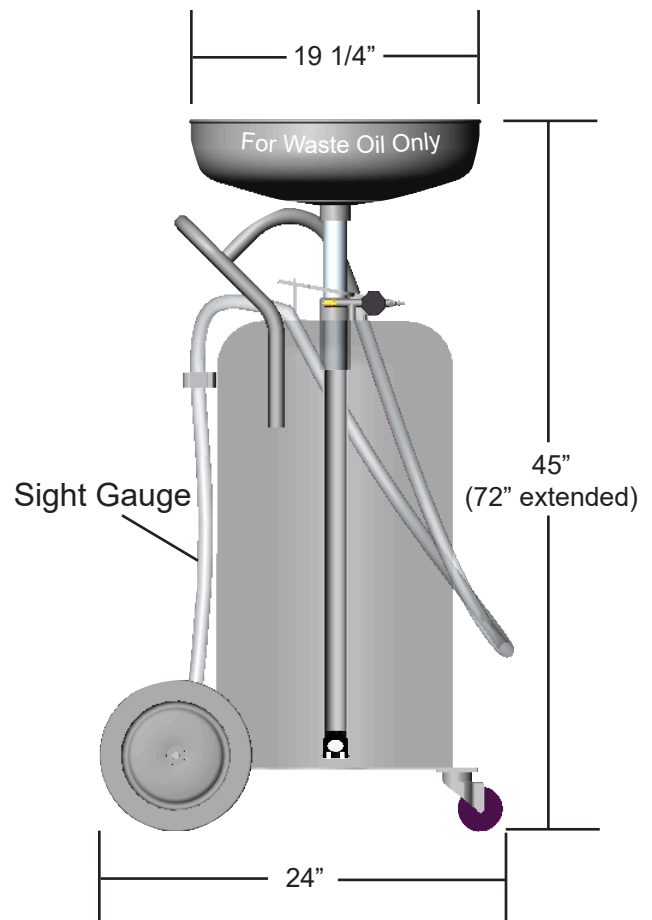
3. Install front casters by inserting bolts up through caster and weldment then secure with nuts provided.



4. Screw bowl onto riser tube.



Dimensions



Bowl Height Adjustment

To raise the bowl, simply lift up on the bowl or drain pipe. To lower the bowl, support the bowl with one hand and with the other hand, lift up on the spring side of the locking bar on the quick action lock assembly. As the locking bar is moved toward a horizontal position, the bowl and drain pipe become free to move.



When the bowl is at the desired position, release the locking bar to secure the bowl and drain pipe in place.



Operation/Evacuation

NOTE: It has been shown that some fluids can cause a deterioration of the o-rings in this unit. All Fluids used in this drain must be chemically compatible with the “wetted parts”. Consult your lubricant supplier to ensure compatibility.

1. Place Roughneck II™ drain under vehicle and drain used oil/antifreeze into bowl (1, 2). When drain is full (use clear hose on side of drain as visual level gauge) move unit near waste oil tank or bulk storage container.
2. Fully raise the drain bowl until it stops.
3. Place nozzle (3) securely in the opening of the bulk used oil container.
4. Attach air supply to Roughneck II drain with quick coupler at (17). This will begin the evacuation process
5. Allow oil to flow into bulk used oil container until nozzle blows air. Detach air supply.
6. Return drain to service area.

Troubleshooting

Emergency Relief Procedure:

- 1) Disconnect air supply.
- 2) Grasp ring on pressure relief valve (14) and pull, hold out to allow air pressure to bleed off.

If unit will not drain:

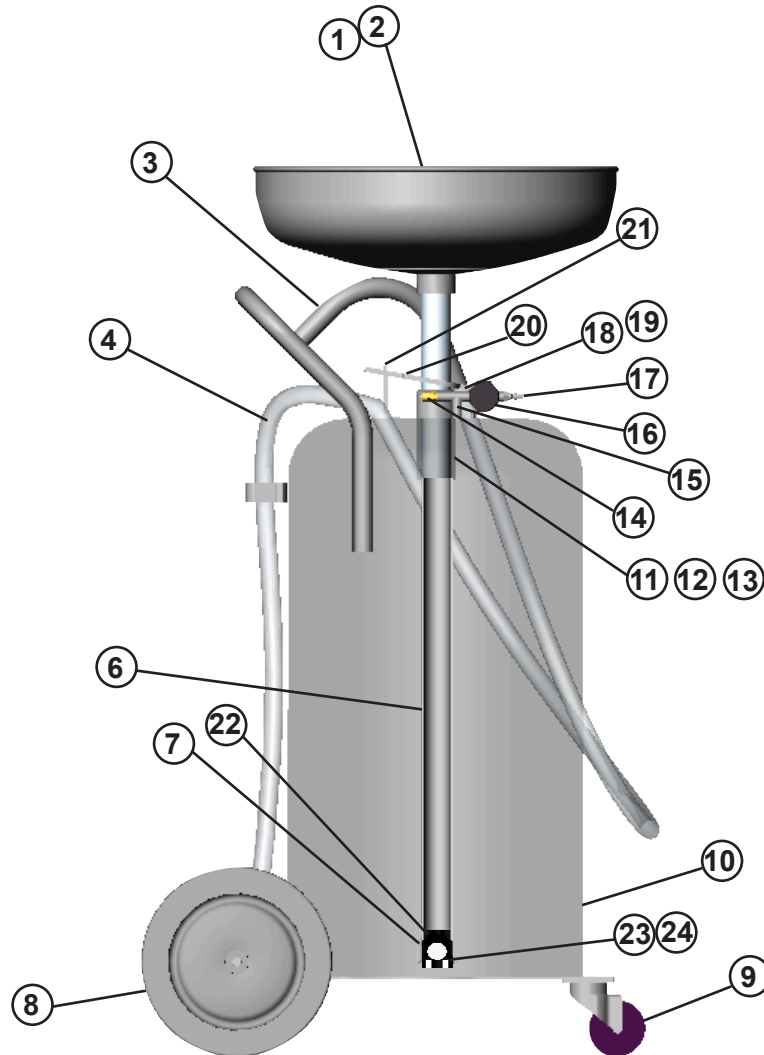
- 1) Check air supply.
- 2) Check outlet port and hose (4) for blockages. Air will blow out of riser tube if check valve (22) is blocked/damaged.

Parts Listing

ITEM	PART	DESCRIPTION	QTY.
1 & 2	831886	Bowl & Strainer*	1
2	831424	Conical Spring* (Prior to 8/16)	1
	831705	Strainer* (After 8/18)	
3	828002	Nozzle	1
4	831250	Hose Assembly/Sight Gauge	1
5		No longer used	
6	831337	Riser Tube	1
7	831341	Ball/HDPE-Hollow	1
8	825221	Wheel	2
9	832446	Caster	2
10	831239	Tank Weldment (Oil)	1
	831154	Tank Weldment (Antifreeze)	1
11	832230	Guide Tube Assembly	1

ITEM	PART	DESCRIPTION	QTY.
12	827442*	O-Ring (Guide Tube ID)	1
13	830277*	O-Ring (Guide Tube OD)	1
14	828004	Pressure Relief Valve	1
15	806017	Tee	1
16	826381	Regulator	1
17	813462	Air Nipple	1
18	824822	Clevis Pin	1
19	807727	Spring	1
20	831174	Locking Handle	1
21	828474P	Latch Bracket	1
22	831338	Valve Body	1
23	808729	Ball, Retainer	1
24	831693	Snap Ring	1

* Located inside bowl.



NOTES

Revision Log:

- Rev. C - Removed second washer on wheels.
- Rev. D - Added Snap Ring (item 24)
- Rev. E - Added strainer (item 2)
- Rev. F - Created single part # for item 1 & 2
- Rev. G - Changed to 832186 nylock nut
- Rev. H - Updated Warranty Statement and
changed part number of item 9 (caster)
- Rev. I - Removed item 5 from parts list and
updated warranty information
- Rev. J - Updated part number for item 21
- Rev. K - Updated product pictures & added filter
to parts list on pg. 5

**For Warranty Information Visit:
www.balcrank.com**

Balcrank® Corporation
Weaverville, NC 28787
800-747-5300
800-763-0840 Fax
www.balcrank.com

SERVICE BULLETIN SB4027
Rev. K 8/18