



---

Truck Drain

---

Model 4120-006 ..... For Used Oil / Used Antifreeze



Thoroughly read and understand this manual before installing, operating or servicing this equipment.

---

Operation, Installation,  
Maintenance and Repair Guide

## GENERAL SAFETY



### ▲ IMPORTANT

Read these safety warnings and instructions in this manual completely, before assembly and use of this truck drain. It is the responsibility of the purchaser to retain this manual for reference. Failure to comply with the recommendations stated in this manual could damage the truck drain and void factory warranty.



### ▲ WARNING

- 1) Use the equipment only for its intended use. This equipment is intended for collection of motor oil, transmission fluid, antifreeze, and gear oils only. Any other use or collection of any other fluids could result in damage to the equipment or serious bodily injury.
- 2) Never alter or modify any parts of this product; doing so may cause damage and/or personal injury.
- 3) Always read and follow the fluid manufacturers' recommendations regarding the use of protective eye wear, clothing, gloves, and other personal equipment.
- 4) Comply with all applicable local, state, national fire, electrical, and safety regulations. Dispose of waste fluids according to all local, state, and national guidelines.
- 5) Do not lift this product or lift the unit to drain fluids without mechanical assistance.



### ▲ WARNING

Airborne particle hazards.  
Wear ear and eye protection.



### ▲ WARNING

Do not lift this product without mechanical assistance.



### ▲ WARNING

Do not drain caustic or flammable products.

Do not expose the tank to any source of heat.

Do not do any welding on the tank.

While draining high temperature oils, keep hands, face, and other body areas protected.



### ▲ WARNING

- 1) If you are using this unit with an evacuation system, make sure the pumping system is installed according to the manufacturer's recommendation.
- 2) Drain only the following liquids into the truck drain: motor oil, transmission fluid, antifreeze, and gear oil.
- 3) Provide fresh air ventilation to avoid the buildup of flammable fumes.
- 4) Extinguish all open flames in the work area.
- 5) Do not smoke in the work area.



### ▲ WARNING

Do not step on or stand on the truck drain.  
The grate could collapse or the truck drain could roll out from under you.



### ▲ WARNING


You must have the discharge port secured with either the included drain plug or a closing connector (e.g. ball valve or dry break nipple.) before using.



## GENERAL DESCRIPTION

Model 4120-006 Truck Drain has a capacity of 26.5 gallons. The unit comes pre-assembled allowing for immediate use. The included "used oil only" and "used antifreeze only" decals can be affixed to the drain for ease of fluid identification. It easily rolls on two fixed 8-inch wheels (front) and one swivel caster (rear). The handlebar steers the rear caster for maneuvering. The double baffles and catch lip help prevent oil from splashing out and the single piece construction reduces potential leak paths. It has an 1" NPT (F) drain port with plug for draining, there is also an optional camlock kit for use with a waste fluid evacuation system.

## SPECIFICATIONS

Capacity.....26.5 gal / 100.3 ltr  
 Tank dimensions:  
 Height.....8 in / 20.3 cm  
 Width.....24 in / 61 cm  
 Length.....36 in / 91.4 cm  
 Height with Wheels.....9.25 in / 23.5 cm  
 Drain Outlet.....1 in NPT (F) / 2.54 cm  
 Dry Weight.....90 lbs / 40.8 kgs

|   |                |
|---|----------------|
|    | <b>Caution</b> |
| This rolling truck drain is intended for use only on flat horizontal surfaces. Sloped surfaces can cause the rolling truck drain to move out of position. |                |

|   |   |
|---|---|
|  | <b>WARNING</b>  |
|   | Never remove the grill or insert fingers into the drain port when vacuum evacuation of the contents is being performed. |

## OPERATION


### Draining fluids into the drain

The truck drain discharge port must be secured prior to use. Ensure the included drain plug is secure or install an optional closing device (e.g. ball-valve or the model 4140-061 camlock kit). Outlet is 1" NPT (F). Use sealant to ensure a leak-free connection.

1) Make sure the grill is in place before use. This allows the user to drain filters and prevents the loss of plugs and tools in the drain.

2) Using the handlebar, position the drain under the vehicle where the oil will be drained. **Once in place, position the handle out of the traffic area. Failure to do so could cause a tripping hazard.**

### Emptying fluids from the drain

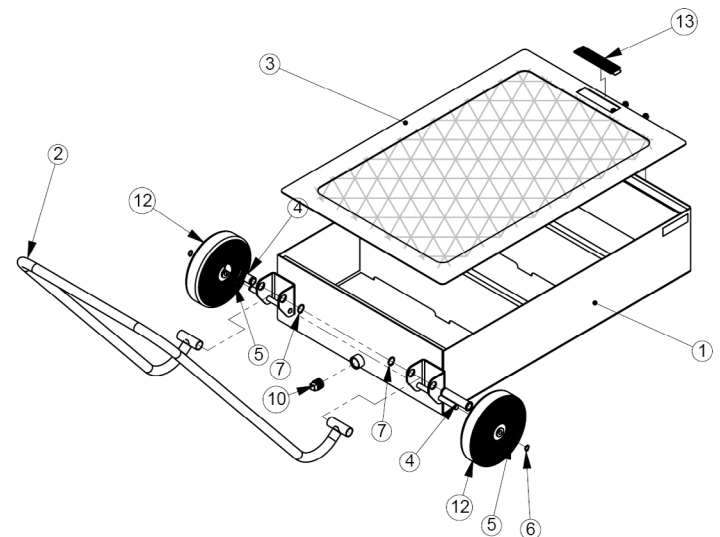
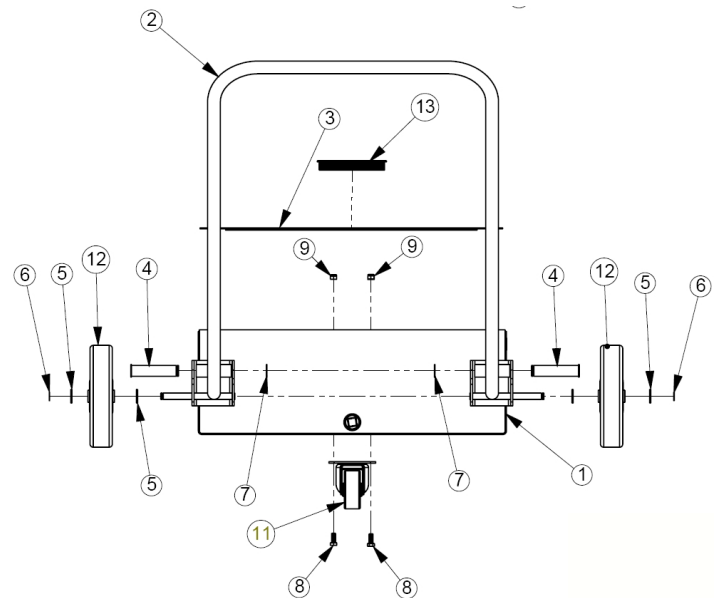
|  |                |
|--|----------------|
|   | <b>CAUTION</b> |
| The truck drain is designed to hold up to 26.5 gallons of used fluid. The level of fluid should never exceed the height of the grate. Always ensure there is enough room in the drain before additional fluid is added. It is recommended that the fluid is drained frequently to avoid the risk of spilling and emissions of waste materials and gases from the fluids. |                |

Position the truck drain where it will be emptied. Make sure you use an approved waste container.

1) If using gravity to drain the unit, remove the drain plug or open ball valve (if installed) and allow the fluid to drain into the waste container.

2) After emptying the drain, replace drain plug or close ball valve. If evacuated with a pump using the optional 4140-061 camlock kit, turn off pump, close the ball-valve, disconnect the hose, and install the camlock cap.

## PARTS DIAGRAMS



## PARTS LIST

| Item | Description                                   | Part#  | Qty. |
|------|---|--------|------|
| 1    | Tank Weldment                                 | 832473 | 1    |
| 2    | Handlebar Weldment                            | 832485 | 1    |
| 3    | Screen Assy.                                  | 832488 | 1    |
| 4    | Clevis Pin                                    | 832490 | 2    |
| 5    | 0.5 Flat Washer                               | 805718 | 4    |
| 6    | Snap Ring 0.500                               | 824472 | 2    |
| 7    | Snap Ring 0.812                               | 832503 | 2    |
| 8    | Hex HD Bolt 0.312 X 0.750                     | 805709 | 4    |
| 9    | Hex Lock Nut 0.312                            | 832186 | 4    |
| 10   | Pipe Plug 1" NPT                              | 820207 | 1    |
| 11   | Caster Assy.                                  | 832446 | 1    |
| 12   | 8 inch Wheel                                  | 832523 | 2    |
| 13   | Recessed Handle                               | 827669 | 1    |
| 14   | Label "For Used Oil Only" (not shown)         | 831161 | 1    |
| 15   | Label "For Used Anti-freeze Only" (not shown) | 831162 | 1    |
| 16   | Strainer (not shown, inside of drain)         | 831705 | 1    |

## OPTIONAL CAMLOCK KIT MODEL 4140-061

| Item | Description                   | Part#    | Qty. |
|------|-------------------------------|----------|------|
| 1    | CamLock Dust Cap 1"           | 4140-019 | 1    |
| 2    | Hex Nipple 1"NPT              | 3270-045 | 1    |
| 3    | CamLock Nipple 1" x 1" NPT(M) | 828373   | 1    |
| 4    | Ball Valve 1"                 | 3230-022 | 1    |

**This page intentionally  
left blank**

**For Warranty Information Visit:  
[www.balcrank.com](http://www.balcrank.com)**

Balcrank Corporation  
Weaverville, NC 28787  
800-747-5300  
800-763-0840 Fax  
[www.balcrank.com](http://www.balcrank.com)

Revision Log:

Rev A - Release

Rev B - Changed drain outlet size in specifications  
and changed part number for item 10

Rev C - Removed 4120-002 kit. Added tables for  
optional nipples, couplers & kits

Rev D - Added new CamLock Kit, & Removed  
tables for obsolete nipple/coupler kits