

Balcrank®

Spillguard Drains

Models 4110-026.....For Used Oil Only
Models 4110-027.....For Used Oil Only - **w/out drum**
Models 4110-028.....For Used Antifreeze Only
Models 4110-029.....For Used Antifreeze Only - **w/out drum**



**OPERATION, INSTALLATION,
MAINTENANCE AND REPAIR GUIDE**

PRODUCT DESCRIPTION

The Balcrank® Spillguard Drain is designed for a convenient method of draining used fluids. It includes a dolly with 3" diameter casters, a 16 gallon drum (Models 4110-026 & 4110-028), and adjustable bowl. The models 4110-027 & 4110-029 have all of the features, but allow the user to provide their own 16 gallon drum. The Spillguard Drain includes either a 1" CamLock Nipple & dust cap (used oil models) or a 3/4" CamLock Nipple & dust cap (used antifreeze models).

GENERAL SAFETY

Thoroughly read and understand this manual before installing, operating or servicing this equipment.

⚠ WARNING

Fully tighten 3 thumbscrews (items 11) onto drum and leave tight for the life of the drain. Failure to tighten thumbscrews may result in the cover assembly falling off of the drum, resulting in injury.

ASSEMBLY

The Balcrank® Spillguard Drain should be fully assembled as illustrated on page 3. Be sure to tighten dolly bolt (23) so that 16 gallon drum is held securely during operation and that the three thumb screws (11) are tight.

NOTE:

Apply grease to caster shafts before insertion into caster brackets.

BOWL HEIGHT ADJUSTMENT

To raise the bowl, simply lift up on the bowl or drain pipe. To lower (or raise) the bowl, support the bowl with one hand and lift up on the spring slide (or push down on the opposite side) of the locking bar on the quick action lock assembly Figure 1, Item 1 (shown at right) with the other hand. As the locking bar is moved toward a horizontal

position, the bowl and drain pipe become free to move. When the bowl is at the desired position, release the locking bar to secure the bowl and drain pipe in place.

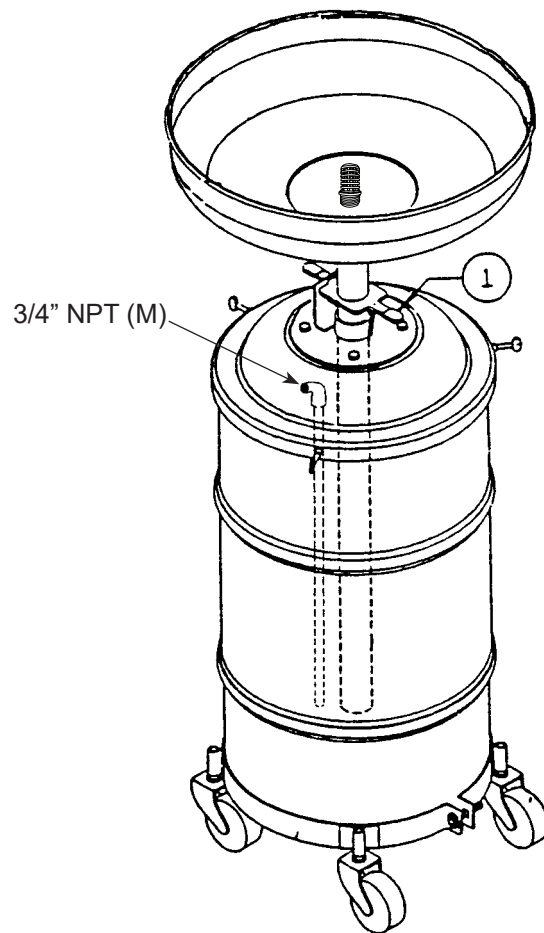
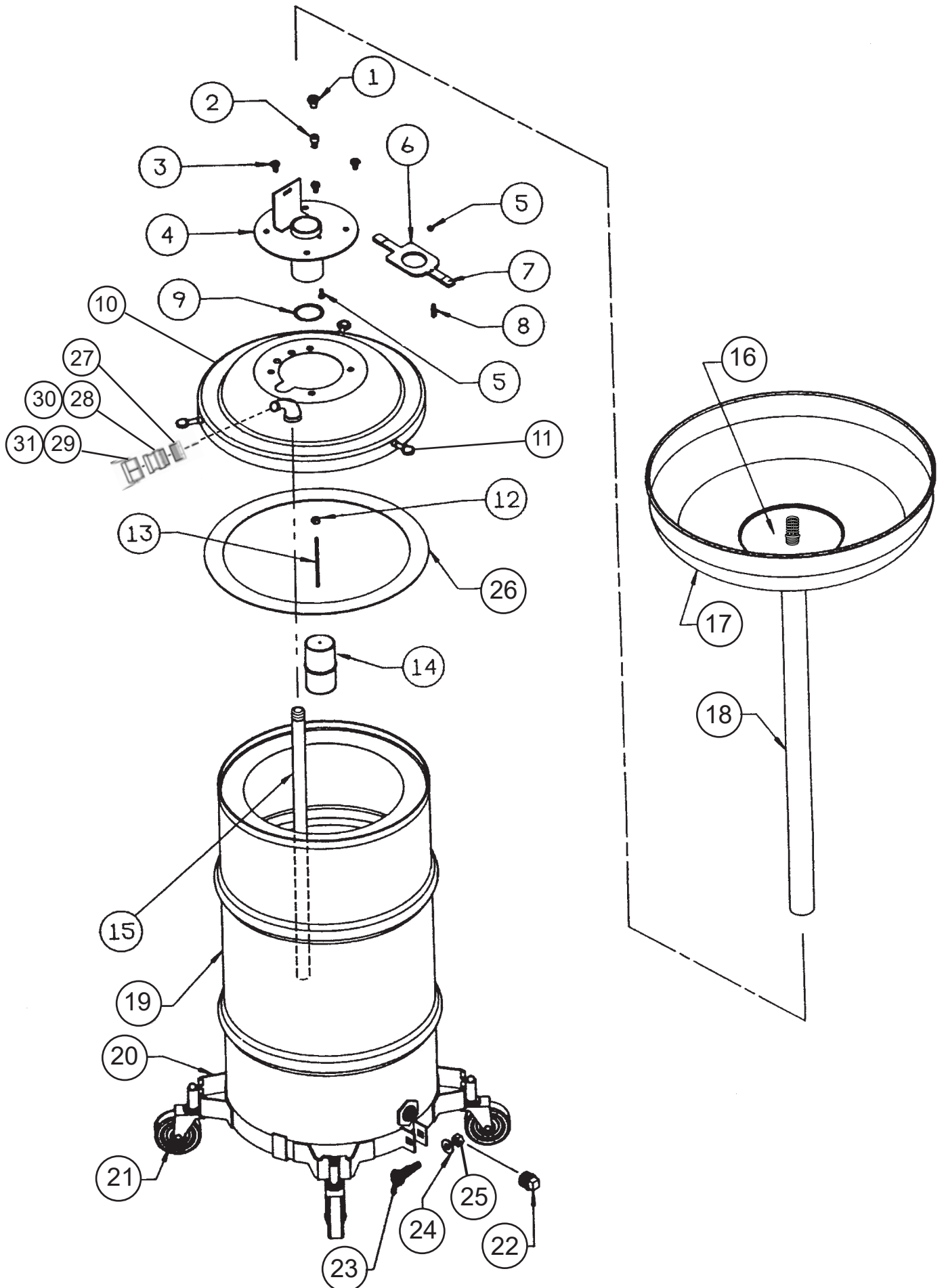


Figure 1



PARTS LIST

ITEM	PART#	DESCRIPTION	4110-026 & 4110-027	4110-028 & 4110-029
			QTY	QTY
1	826570	Knob	1	1
2	826571	Guide	1	1
3	807190	Screw 1/4-28 x 1/2"	3	3
4	824371	Tube Weldment (4110-026 & 4110-027)	1	1
	831331	Tube Weldment (4110-028 & 4110-029)	1	1
5	824822	Clevis Pin 3/16 x 1/2"	2	2
6	831174	Locking Handle	1	1
7	824373	Grip	2	2
8	807727	Spring	1	1
9	816853	O-Ring	1	1
10	828756	Cover Assembly (4110-026 & 4110-027)	1	1
	831327	Cover Assembly (4110-028 & 4110-029)	1	1
11	807478	Thumb Screw 5/16-18 x 1/1/2"	3	3
12	806467	Hex Nut 5/16-24	1	1
13	826569	Rod	1	1
14	826573	Float - Poly	1	1
15	828757	Pipe 26" long	1	1
16	831424	Conical Spring* (Prior 8/18)	1	1
	831705	Strainer* (After 8/18)		
17	824211	Bowl	1	1
18	824821	1-5/8" Tube	1	1
19	826566	Drum (4110-026 & 4110-028 only)	1	1
20	825840P	Dolly Assembly	1	1
21	821008	Caster	4	4
22	826603	Plug	1	1
23	829014	Bolt 7/16-14 x 2"	1	1
24	813358	Flat Washer 3/8"	1	1
25	830854	Nut 7/16-14	1	1
26	807878	Gasket	1	1
27	3270-054	Bushing 1"MPT X 3/4"FPT	1	X
28	4140-055	CamLock, Nipple 1" x 1" NPT(F)	1	X
29	4140-019	CamLock, Dust Cap 1"	1	X
30	4140-054	CamLock, Nipple 3/4" x 3/4" NPT(F)	X	1
31	4140-046	CamLock, Dust Cap 3/4"	X	1

*Located inside the bowl

This page intentionally left blank

**For Warranty Information Visit:
www.balcrank.com**

Balcrank® Corporation
Weaverville, NC 28787
800-747-5300
800-763-0840 Fax
www.balcrank.com

Revision Log:

Rev. A - New Release

Rev. B - Updated product pictures & added
filter to parts list on pg. 4

SERVICE BULLETIN SB 4225
Rev B 08/18