



Pit Boss - Rolling Pit Drain

Model 4140-060 Pit Boss - with 1" Cam-Lock
Model 4140-020 Pit Boss - Bare



Model 4140-020 shown

Thoroughly read and understand this manual before installing, operating or servicing this equipment.

**OPERATION, INSTALLATION,
MAINTENANCE AND REPAIR GUIDE**

General Safety

Thoroughly read and understand this manual before installing, operating or servicing the described products.



IMPORTANT

Check equipment regularly and repair or replace worn and damaged parts.

Never alter or modify any parts of this drain, doing so may cause damage to drain and/or personal injury.



WARNING

To reduce the risk of the pit drain falling off of the pit tracks, which could cause serious injury to someone near the pit drain, NEVER extend the wheel supports further than the maximum extension (see dimensional drawing).



WARNING

Do not step on the pit drain.

General Description

Model 4140-060 Pit Boss Rolling pit drain has a capacity of 34 gallons. It easily rolls on guide tracks in the user's pit. Features include metal catch screen, anti-splash baffles, side splash guards, ball valve, 1" cam-lock, and front and rear drain ports. The 3 inch diameter wheels are mounted to accommodate a pit track width from 36" to 50". The wheels are also adjustable 2" up or down. A handy tool shelf is provided below the tank for pit service tools.

Installation

Assemble the four wheels (8) to the four wheel supports (10) if necessary. Install the assembled wheel supports in the support guides. Extend the wheel supports equally on both sides of the drain pan to fit the pit tracks. DO NOT extend the wheel supports further than the maximum extension. Tighten the support bolts (1) securely.

Attach the pipe nipple (16), ball valve (13), and cam-lock nipple (14) to one of the drain ports. Make sure the pipe plug (7) is installed tightly in the other drain port. Use thread sealant of choice to prevent leaks.

Operating Instructions

To evacuate oil from the pit drain, connect the evacuation hose to the cam-lock adapter and open ball valve. Once the drain has been evacuated, close the ball valve.



CAUTION

Ensure that the ball valve is fully closed before using the pit drain.

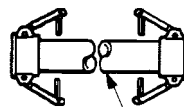
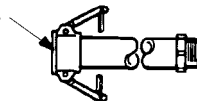
Optional Accessories for

Pit Boss Rolling Pit Drain

4140-012 Connector Hose: 2' x 1" connector hose with cam-lock coupler on both ends. Used to connect two rolling pit drains for evacuation from one side.

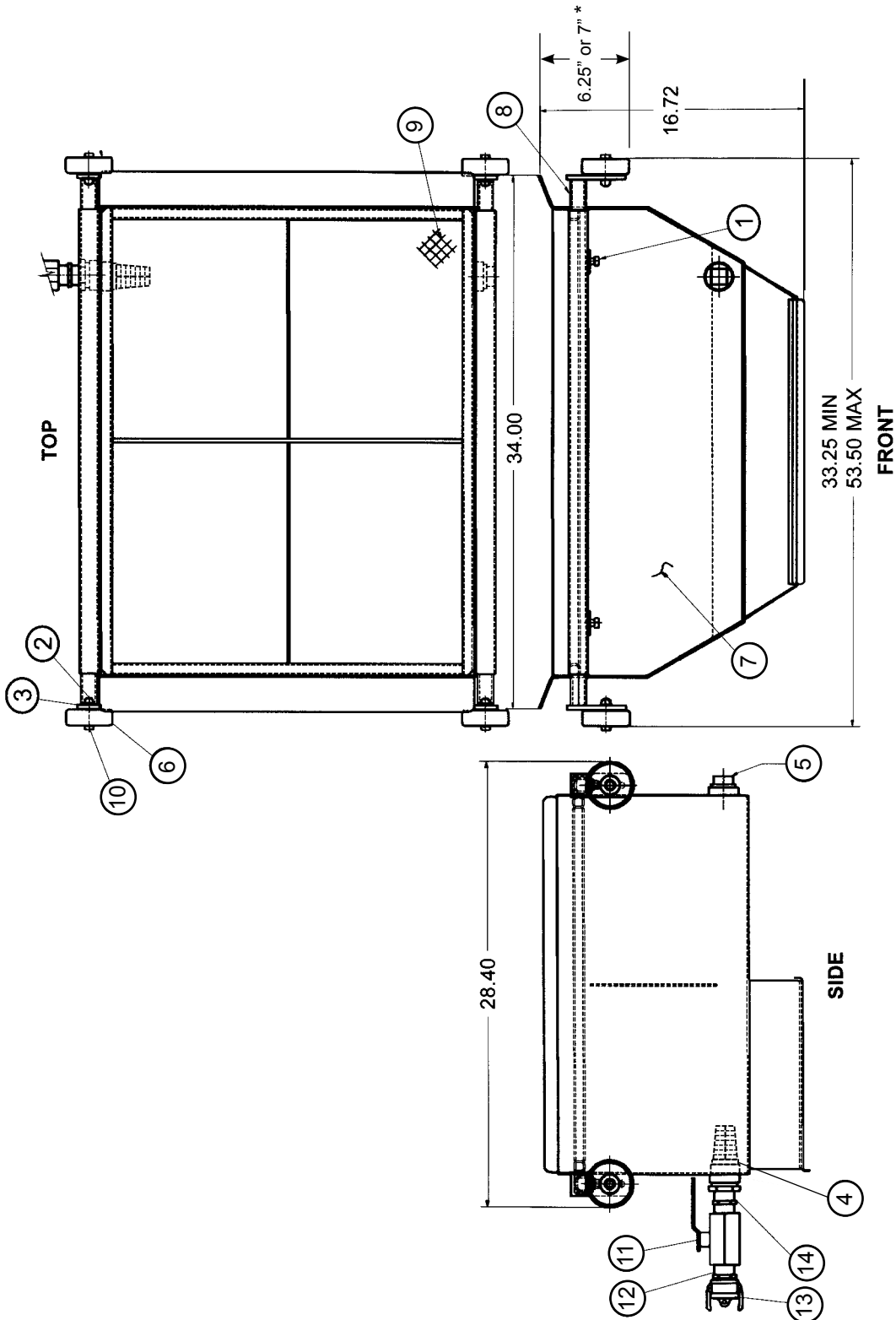
4140-013 Evacuation Hose: 2' x 1" evacuation hose with cam-lock coupler on one end and 1" NPT male fitting on the other end. Used to attach pit drain to evacuation manifold.

Optional Hose
4140-013



Hose Assembly
4140-012

Dimensional Drawing / Parts Identification



* Dependant on which mount hole is used when wheel is installed.

PARTS LIST

Item	Part #	Description	4140-060	4140-020
			Qty	Qty
1	805795	Bolt	4	4
2	805939	Hex Nut	4	4
3	813903	Lock Washer	4	4
4	831705	Strainer	1	1
5	820207	Pipe Plug	1	2
6	828212	Wheel	4	4
7	828214	Tank Weldment	1	1

Item	Part #	Description	4140-060	4140-020
			Qty	Qty
8	828218	Wheel Support	4	4
9	828228	Screen Assy.	1	1
10	828324	Bolt	4	4
11	3230-022	Ball Valve	1	0
12	4140-018	Cam-Lock Nipple	1	0
13	4140-019	Cam-Lock Dust Cover	1	0
14	3270-045	Hex Nipple	1	0

**This Page Intentionally
Left Blank**

**For Warranty Information Visit:
www.balcrank.com**

Balcrank® Corporation
Weaverville, NC 28787
800-747-5300
800-763-0840 Fax
www.balcrank.com

Revision Log:

Rev. A - New Release

Service Bulletin SB4227
Rev. A 04/16