



Spillguard Drains

Models 4110-010.....For Used Oil Only
Models 4110-011.....For Used Oil Only - **w/out drum**
Models 4110-018.....For Used Antifreeze Only
Models 4110-019.....For Used Antifreeze Only - **w/out drum**



**OPERATION, INSTALLATION,
MAINTENANCE AND REPAIR GUIDE**

PRODUCT DESCRIPTION

The Balcrank® Spillguard Drain is designed for a convenient method of draining used fluids. It includes a dolly with 3" diameter casters, a 16 gallon drum (Models 4110-010 & 4110-018), and adjustable bowl. The models 4110-011 & 4110-019 have all of the features, but allow the user to provide their own 16 gallon drum. The Spillguard Drain has a 3/4" NPT (M) outlet, see the tables on pages 5 & 6 for coupler/nipple options and kits.

GENERAL SAFETY

Thoroughly read and understand this manual before installing, operating or servicing this equipment.

⚠ WARNING

Fully tighten 3 thumbscrews (items 11) onto drum and leave tight for the life of the drain. Failure to tighten thumbscrews may result in the cover assembly falling off of the drum, resulting in injury.

ASSEMBLY

The Balcrank® Spillguard Drain should be fully assembled as illustrated on page 3. Be sure to tighten dolly bolt (23) so that 16 gallon drum is held securely during operation and that the three thumb screws (11) are tight.

NOTE:

Apply grease to caster shafts before insertion into caster brackets.

BOWL HEIGHT ADJUSTMENT

To raise the bowl, simply lift up on the bowl or drain pipe. To lower (or raise) the bowl, support the bowl with one hand and lift up on the spring slide (or push down on the opposite side) of the locking bar on the quick action lock assembly Figure 1, Item 1 (shown at right) with the other hand. As the locking bar is moved toward a horizontal

position, the bowl and drain pipe become free to move. When the bowl is at the desired position, release the locking bar to secure the bowl and drain pipe in place.

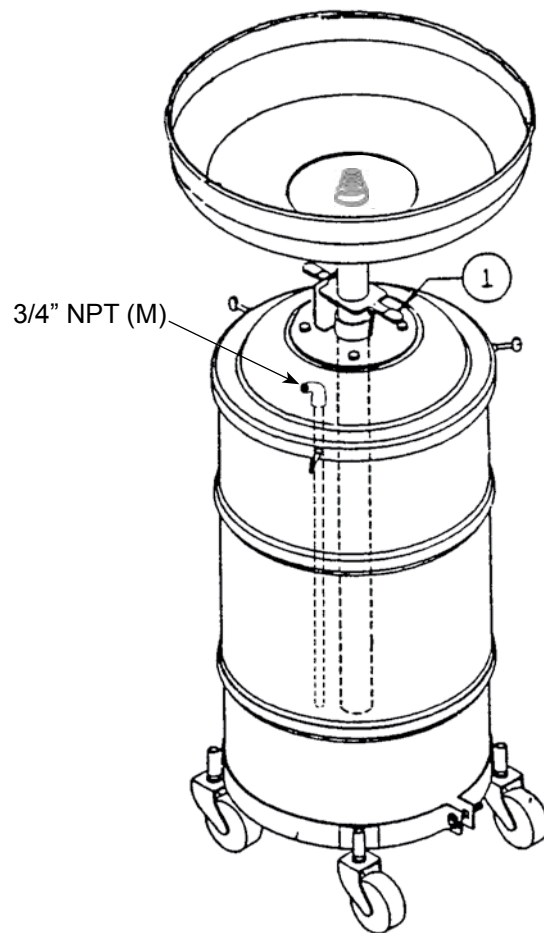
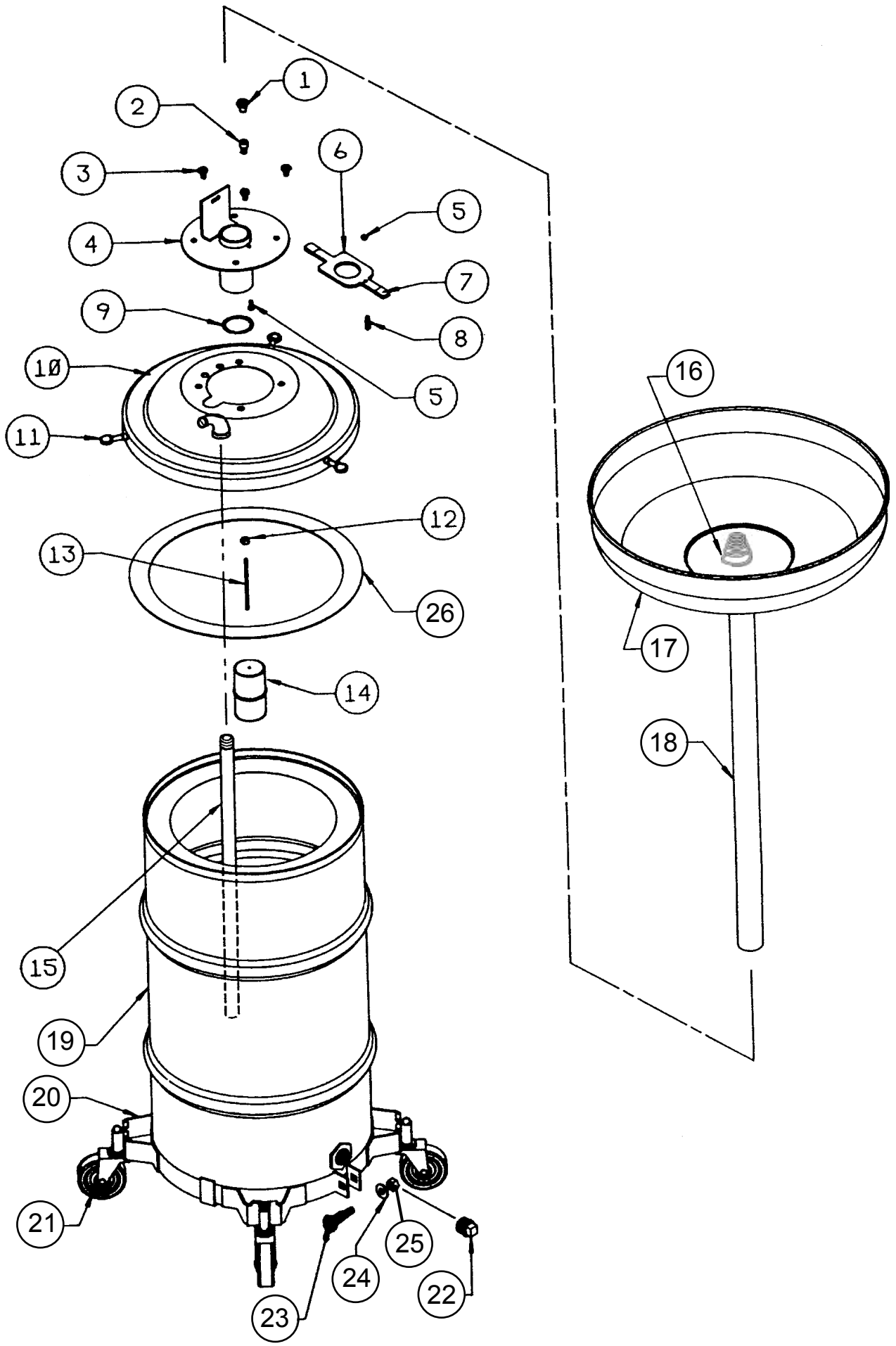


Figure 1



PARTS LIST

ITEM	PART#	DESCRIPTION	QTY
1	826570	Knob	1
2	826571	Guide	1
3	807190	Screw 1/4-28 x 1/2"	3
4	824371	Tube Weldment (4110-010 & 4110-011)	1
	831331	Tube Weldment (4110-018 & 4110-019)	1
5	824822	Clevis Pin 3/16 x 1/2"	2
6	831174	Locking Handle	1
7	824373	Grip	2
8	807727	Spring	1
9	816853	O-Ring	1
10	828756	Cover Assembly (4110-010 & 4110-011)	1
	831327	Cover Assembly (4110-018 & 4110-019)	1
11	807478	Thumb Screw 5/16-18 x 1/1/2"	3
12	806467	Hex Nut 5/16-24	1
13	826569	Rod	1
14	826573	Float - Poly	1
15	828757	Pipe 26" long	1
16	831424	Conical Spring	1
17	824211	Bowl	1
18	824821	1-5/8" Tube	1
19	826566	Drum (4110-010 & 4110-018 only)	1
20	825840	Dolly Assembly	1
21	821008	Caster	4
22	826603	Plug	1
23	829014	Bolt 7/16-14 x 2"	1
24	813358	Flat Washer 3/8"	1
25	830854	Nut 7/16-14	1
26	807878	Gasket	1

OUTLET COUPLER/NIPPLE OPTIONS

QUICK COUPLER/NIPPLE OPTION		ADAPTER FITTING(S) NEEDED				
Description	Model		Model		Model	
3/4" Dry Break Nipple	4140-023	+		+		+
1" Dry Break Nipple	4140-051	+	3270-054	+		+
3/4" Dry Break Coupler	4140-016	+		+		+
1" Dry Break Coupler	4140-015	+	3270-054	+		+
3/4" Cam-lock Nipple	4140-045	+	3270-087	+		+
1" Cam-lock Nipple	4140-018	+	3270-087	+	3270-096	+
3/4" Cam-lock Coupler	4140-044	+		+		+
1" Cam-lock Nipple	4140-017	+	3270-054	+		+
Description	Model	ADAPTER FITTING(S) NEEDED				
3/4" Dry Break kit*	4140-049		Model		Model	
	if using coupler	+		+		+
	if using nipple	+		+		+
1" Dry Break kit*	4140-048		Model		Model	
	if using coupler	+	3270-054	+		+
	if using nipple	+	3270-054	+		+
3/4" Cam-lock kit*	4140-047		Model		Model	
	if using coupler	+		+		+
	if using nipple	+	3270-087	+		+
1" Cam-lock kit*	4140-021		Model		Model	
	if using coupler	+	3270-054	+		+
	if using nipple	+	3270-087	+	3270-096	+

* When choosing a kit, the adapters needed will depend on whether you choose the nipple or coupler to attach to the drain outlet.

COUPLER KIT ITEM LIST

Kit Model	Included in kit	Description	Qty
4140-049	4140-016	Coupler, Dry Break	1
	4140-023	Nipple, Dry Break	1

Kit Model	Included in kit	Description	Qty
4140-048	4140-050	Coupler, Dry Break	1
	4140-051	Nipple, Dry Break	1

Kit Model	Included in kit	Description	Qty
4140-047	3230-007	Valve, Ball, Fluid 3/4"	1
	4140-045	Cam-lock Nipple 3/4"	1
	4140-046	Cam-lock Cap 3/4"	1
	4140-044	Cam-lock Coupler 3/4"	1
	4140-052	Cam-lock, Dust Plug 3/4"	1

Kit Model	Included in kit	Description	Qty
4140-021	3230-008	Valve, Ball, Fluid 1"	1
	4140-018	Cam-lock Nipple 1"	1
	4140-019	Cam-lock Cap 1"	1
	4140-017	Cam-lock Coupler 1"	1
	4140-053	Cam-lock, Dust Plug 1"	1

**For Warranty Information Visit:
www.balcrank.com**

Balcrank® Corporation
Weaverville, NC 28787
800-747-5300
800-763-0840 Fax
www.balcrank.com

SERVICE BULLETIN SB 4020
Rev K 4/15

Revision Log:

Rev. F - Added Strainer (item 23)
Rev. G - Added Warning
Rev. H - Changed to Conical Spring
(item 23)
Rev. I - Updated warranty information
Rev. J - Removed dry-break nipple &
obsolete items from parts list. Added
tables for optional couplers, nipples
and kits
Rev. K - Removed obsolete part number for bowl