

Grease Piston Pumps

Lion™ Inductor, Double Post RAM

Grease NLGI-2 Grease NLGI-3

Lion™ 450 and Lion™ 600 grease pumps are used with 400 lb. drums in applications where high volumes of grease are required, environmental temperatures are low or higher viscosity greases are used. The air operated double post RAM inductor features controlled RAM pressure to assist in pump priming. When the double lip inductor plate is rigidly attached to the lower end of pump tube, the weight of the pump and lift pneumatic pressure of the RAM plus atmospheric pressure on the material forces and improves pump priming. The inductor plate also serves as protection against contaminants and eliminates material waste. for use with 400 lb. (185 kg) drums.

Applications

- High volume grease applications such as fifth wheel with multiple dispense points
- High volume large vehicle maintenance shops
- Industrial grease transfer to machines
- Mining
- Bulk grease transfer

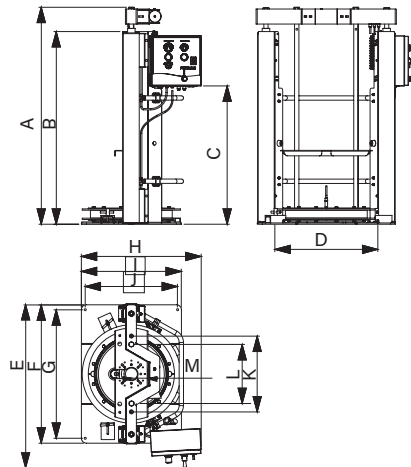
Unit also includes guide rods, drum retaining mechanism and a control box with the following features:

- On-off control of the pump
- Up-down control of the RAM (drum exchange)
- Two independent air pressure regulators, one for the pump and for the power RAM cylinders
- Pump independent pressure gauge
- Empty drum shut-off safety feature
- Automatic vacuum release

When purchasing the double post inductor without a pump, contact Balcrank technical support for pump requirements.

Warning! Do not use any Lion™ 450/600 series products with flammable fluids.

Verify fluid compatibility with MSDS sheets. Contact Balcrank for pumping grease higher than NLGI-2 and specific system design performance technical data.



1451-001

MODELS AVAILABLE	DESCRIPTION
1451-001	Package, Lion™ 450, 40:1 pump. Double Post Inductor. Includes: 1450-003 Lion™ 450, 40:1 pump 4450-004 Double Post Inductor 833650 Kit, Collar/Follower-Plate
1451-002	Package, Lion™ 450, 70:1 pump. Double Post Inductor. Includes: 1450-006 Lion™ 450, 70:1 pump 4450-004 Double Post Inductor 833650 Kit, Collar/Follower-Plate
1451-003	Package, Lion™ 600, 80:1 pump. Double Post Inductor. Includes: 1450-009 Lion™ 600, 80:1 pump 4450-004 Double Post Inductor 833650 Kit, Collar/Follower-Plate
1451-007*	Package, Lion™ 600, 12:1 pump. Double Post Inductor. Includes: 1450-010 Lion™ 600, 12:1 pump 4450-004 Double Post Inductor includes 3" Cam-lock for mounting pump to inductor plate
4450-004	Inductor, double post air operated

* When using this RAM with the 12:1, contact Balcrank customer service for additional needed components

Dimensions inches (MM)		
A Lowered/ Raised	B	C
52" (1,320 mm) 88" (2,230 mm)	45.5" (1,156 mm)	32.66" (830 mm)
D	E	F
24.5" (74 mm)	38.75" (554 mm)	32.66" (830 mm)
G	H	I
30.33" (771 mm)	28.33" (720 mm)	23.66" (600 mm)
J	K	L
21.75" (554 mm)	18" (455 mm)	14" (355 mm)
M		
4" (104 mm)		