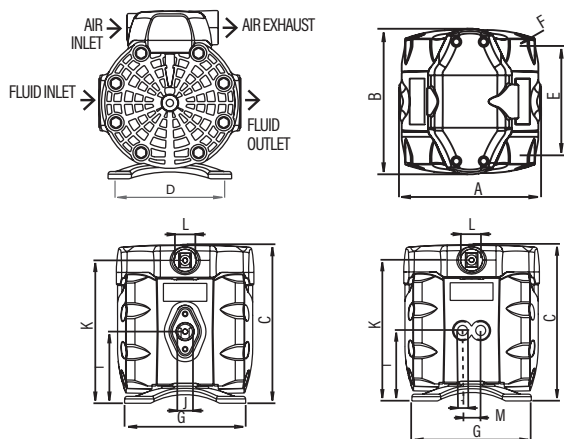


CF15 Mixing AODD Pump-CenterFlo

Pumps
AODD



DIMENSIONS INCHES											
A	B	C	D	E	F*	G	I	J	K	L	M
6.14	6.30	7.28	4.13	4.80	0.31	5.54	3.27	0.5" (F)	6.54	3/8" (F)	0.94

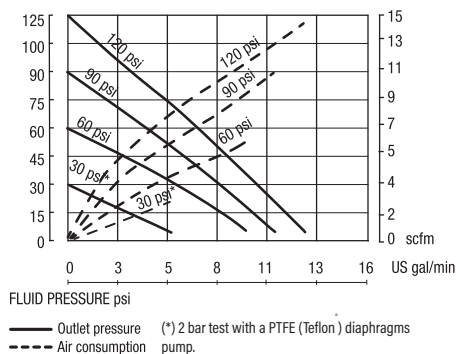
* Diameter of the holes for fasteners in each of the four pump feet.
Flange connection: 2 bolts - M 5 (1.61" between centers)

Fluids

- Anti-freeze (glycol)
- Windshield wash solution

Markets Served

- Car and truck dealers
- Quick lubes



Overview

CenterFlo pumps with a dual inlet for 1:1 ratio mixing of fluids with similar viscosities, like windshield wash or anti-freeze with water. All dual inlet pumps have 2 x 2 - 3/8" NPT(F) inlet ports.

MODELS AVAILABLE	DESCRIPTION
<input type="checkbox"/> 1120-028A	CF15 Polypropylene Mixing
<input type="checkbox"/> 3120-201	Pressure Relief for Diaphragm 1/2" NPT

TECHNICAL DATA	
Air inlet	3/8" NPSM(F)
Fluid inlet port	2 - 3/8" NPT(F)
Fluid outlet port	1/2" NPT(F) & flange
Max. free flow	15 gal/min (50 l/min)
Air pressure range	22 to 102 psi (1.5 to 7 bar)
Solids in suspension	1/8" (3 mm)
Wetted Materials	PTFE (Teflon [®]), Viton [®] , polypropylene, stainless steel, acetal and Hytrel [®]
Recommended Fluids	Anti-freeze (Glycol) and windshield wash solution
Recommended Applications	Dual inlet pumps for 1:1 proportion mixing of fluids with similar viscosity. NOTE: both fluids and their resulting solution must be compatible with the pump wetted materials
Service Bulletin	SB 1123

** Balcrank does not recommend pumping windshield wash or any other fluid below 100° flash point. Contact Balcrank for additional information.