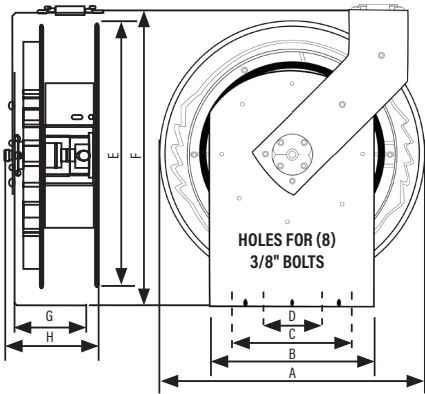
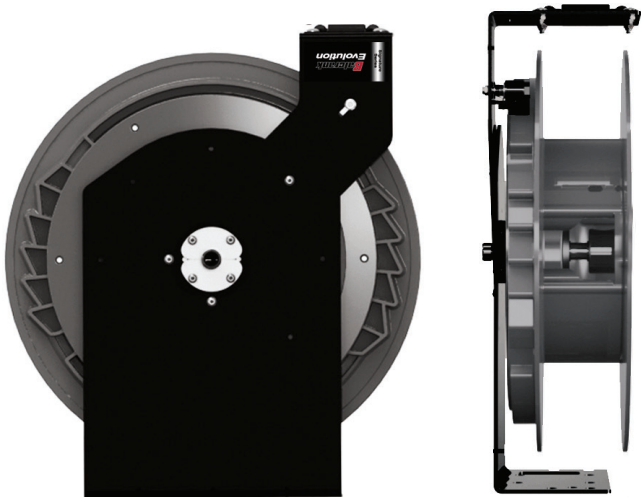
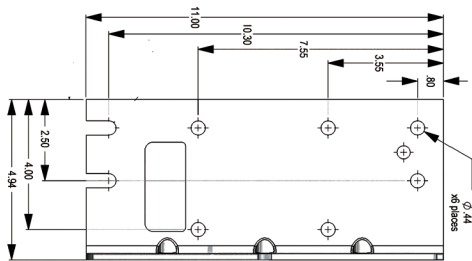


Signature Series Hose Reels - Evolution Series



DIMENSIONS INCHES							
A	B	C	D	E	F	G	H
18"	11"	9.5"	4"	18"	20"	5"	6.5"



Overview

Evolution Hose Reel: an Evolution in Design and Performance

Lightweight but extremely rugged: steel pedestal and arm and dual ball-bearings. The Evolution is a solid performer. The Evolution combines design, performance and reliability with the right features and benefits for today's customers.

All Evolution series reels have a narrow and lightweight design; includes hose, hose stop and a 2.5' connecting hose.

MODELS AVAILABLE	DESCRIPTION	REPLACEMENT HOSE
Air & water low pressure 300 psi (21 bar) for delivery of air, water, windshield wash fluid, and anti-freeze		
<input type="checkbox"/> 2140-021	Bare reel - up to 50' Hose	
<input type="checkbox"/> 2140-007	30' x 3/8" ID hose	8136-030
<input type="checkbox"/> 2140-008	50' x 3/8" ID hose	8136-050
<input type="checkbox"/> 2140-010	30' x 1/2" ID hose	8141-030
<input type="checkbox"/> 2140-011	50' x 1/2" ID hose	8141-050
Oil medium pressure 2,750 psi (190 bar) for delivery of lubricants		
<input type="checkbox"/> 2140-002	Bare reel - up to 50' Hose	
<input type="checkbox"/> 2140-013	30' x 1/2" ID hose	8241-030
<input type="checkbox"/> 2140-014	50' x 1/2" ID hose	8241-050
Grease high pressure 5,000 psi (345 bar) for delivery of grease		
<input type="checkbox"/> 2140-005	Bare reel - up to 50' Hose	
<input type="checkbox"/> 2140-019	30' x 3/8" ID hose	8332-030
<input type="checkbox"/> 2140-020	50' x 3/8" ID hose	8332-050

TECHNICAL DATA

Low & medium pressure reels

Fluid inlet port	1/2" NPT(F) swivel
Fluid outlet port	1/2" NPT(F) swivel
Hose outlet thread	1/4" NPT(M) for 3/8" ID Hoses
	1/2" NPT(M) for 1/2" ID Hoses
Wetted materials	Low Pressure - brass, Acetal & Buna-N™ Medium pressure - Steel (plated) & Buna-N™

High Pressure Reels

Fluid inlet port	3/8" NPT(F) swivel
Fluid outlet port	3/8" NPT(F) swivel
Hose outlet thread	1/4" NPT(M) for 3/8" ID Hoses
Wetted materials	Nickel Plated Steel, Hardened steel and Polyurethane
Service bulletin	SB 2025