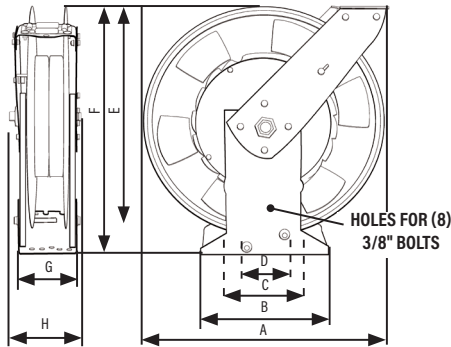
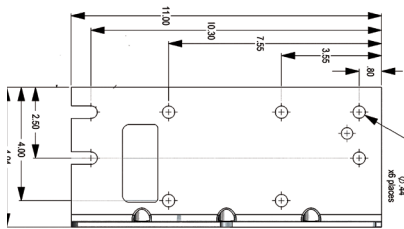


# Signature Series Hose Reels - Premium Series



DIMENSIONS INCHES							
A	B	C	D	E	F	G	H
20.5"	11"	9 1/2"	4"	20.25"	21.5"	5.5"	6.75"



## TECHNICAL DATA

### Low & Medium Pressure Reels

Fluid inlet port	1/2" NPT(F) swivel
Fluid outlet port	1/2" NPT(F) swivel
Hose outlet thread	1/2" NPT(M) for 3/8" ID Hoses
	1/2" NPT(M) for 1/2" ID Hoses
Wetted Materials	Low pressure - Brass, Acetal & Buna-N™ Med. pressure - Steel (plated) & Buna-N™
<b>High Pressure Reels</b>	
Fluid inlet port	3/8" NPT(F) swivel
Fluid outlet port	3/8" NPT(F) swivel
Hose outlet thread	1/4" NPT(M) for 1/4" ID Hoses
	1/4" NPT(M) for 3/8" ID Hoses
Wetted Materials	Nickel plated steel, hardened steel and Polyethylene
Wetted Materials	Hardened steel and Polyurethane
Service Bulletin	SB 2027

## Overview

### Premium Hose Reel for the toughest shop environments

Today's heavy-duty hose reel market demands an innovative use of components that provide long life, improved serviceability and superior structural design.

Our Premium reel incorporates advanced design features that ensures long life in the toughest environments while reducing overall weight.

All Premium series reels have a narrow design; includes hose, hose stop and a 2.5' connecting hose.

MODELS AVAILABLE	DESCRIPTION	REPLACEMENT HOSE
------------------	-------------	------------------

Air & Water Low Pressure 300 psi (21 bar) for delivery of air, water, anti-freeze and windshield wash\*\*

<input type="checkbox"/>	<b>2111-048</b>	Bare reel - up to 50' Hose	-
<input type="checkbox"/>	<b>2111-049</b>	Bare reel - up to 60' Hose	-
<input type="checkbox"/>	<b>2111-031</b>	30' x 3/8" ID hose	8136-030
<input type="checkbox"/>	<b>2111-032</b>	40' x 3/8" ID hose	8136-040
<input type="checkbox"/>	<b>2111-033</b>	50' x 3/8" ID hose	8136-050
<input type="checkbox"/>	<b>2111-034</b>	60' x 3/8" ID hose (50' + 10')*	8136-060
<input type="checkbox"/>	<b>2111-035</b>	40' x 1/2" ID hose	8141-040
<input type="checkbox"/>	<b>2111-036</b>	50' x 1/2" ID hose	8141-050
<input type="checkbox"/>	<b>2111-037</b>	60' x 1/2" ID hose (50' + 10')*	8141-060

Oil Medium Pressure 2,750 psi (190 bar) for delivery of lubricants

<input type="checkbox"/>	<b>2111-027</b>	Bare reel - up to 50' Hose	-
<input type="checkbox"/>	<b>2111-028</b>	Bare reel - up to 60' Hose	--
<input type="checkbox"/>	<b>2111-038</b>	30' x 1/2" ID hose	8241-030
<input type="checkbox"/>	<b>2111-039</b>	40' x 1/2" ID hose	8241-040
<input type="checkbox"/>	<b>2111-040</b>	50' x 1/2" ID hose	8241-050
<input type="checkbox"/>	<b>2111-041</b>	60' x 1/2" ID hose (50' + 10')*	8241-060

Grease High-pressure 5,000 psi (345 bar) for delivery of grease.

<input type="checkbox"/>	<b>2111-029</b>	Bare reel - up to 50' Hose	--
<input type="checkbox"/>	<b>2111-030</b>	Bare reel - up to 60' Hose	--
<input type="checkbox"/>	<b>2111-045</b>	40' x 3/8" ID hose	8332-040
<input type="checkbox"/>	<b>2111-046</b>	50' x 3/8" ID hose	8332-050
<input type="checkbox"/>	<b>2111-047</b>	60' x 3/8" ID hose (50' + 10')*	8332-060
<input type="checkbox"/>	<b>2111-042</b>	40' x 1/4" ID hose	8323-040
<input type="checkbox"/>	<b>2111-043</b>	50' x 1/4" ID hose	8323-050
<input type="checkbox"/>	<b>2111-044</b>	60' x 1/4" ID hose (50' + 10')*	8323-060

\* 50' on spool with 10' hanging

\*\* For specific windshield wash applications contact Balcrank Engineering for recommendations.