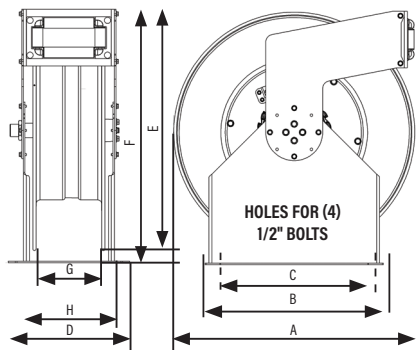


# Signature Series Hose Reels - EVX Series

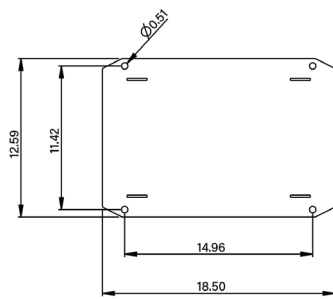


Hose Reels

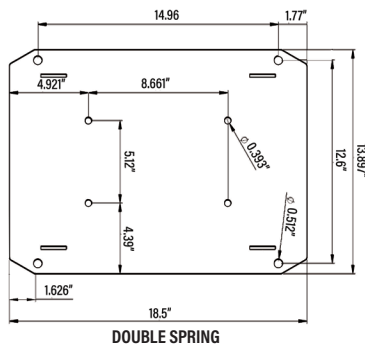


SINGLE SPRING DIMENSIONS INCHES							
A	B	C	D	E	F	G	H
25"	18.5"	15"	12.6"	25"	26.5"	7"	11.4"

DOUBLE SPRING DIMENSIONS INCHES							
A	B	C	D	E	F	G	H
25"	18.5"	15"	13.9"	25"	26.5"	8.5"	12.6"



SINGLE SPRING



DOUBLE SPRING

## Overview

The Extended Volume, EVX Series hose reels are designed for high volume heavy-duty applications where large hose diameters are required for increased flow. The EVX reels will accommodate up to 50' of 1" ID hose or 100' of 1/2" ID hose. Perfect for heavy-duty fleet, construction, mining and industrial applications. All EVX series reels include hose, hose stop and a 2.5' connecting hose.

MODELS AVAILABLE	DESCRIPTION	REPLACEMENT HOSE
Air & Water Low Pressure 300 psi (21 bar) for delivery of air, water and anti-freeze		
<input type="checkbox"/> 2310-034	Bare reel, 50' x 1" ID hose or 75' x 1/2" ID hose	-
<input type="checkbox"/> 2310-035**	Bare reel, 75' x 3/4" ID hose or 100' x 1/2" ID hose	-
<input type="checkbox"/> 2310-036**	75' x 1/2" ID hose	8141-075
<input type="checkbox"/> 2310-037**	100' x 1/2" ID hose	8141-100
<input type="checkbox"/> 2310-038**	75' x 3/4" ID hose	8161-075
<input type="checkbox"/> 2310-039	50' x 1" ID hose	8181-050
Oil Medium Pressure 1,525 psi (105 bar) & 2,320 (160 bar) for delivery of lubricants		
<input type="checkbox"/> 2310-035**	Bare reel, 75' x 3/4" ID hose or 100' x 1/2" ID hose	-
<input type="checkbox"/> 2310-045**	50' x 1" ID hose 1,500 psi	8281-050
<input type="checkbox"/> 2310-041**	75' x 3/4" ID hose 1,525 psi	8264-075
<input type="checkbox"/> 2310-040**	100' x 1/2" ID hose 2,320 psi	8250-100
Diesel & Evacuation Low Pressure 50 psi (3 bar) for delivery of diesel fuel and used oil evacuation*		
<input type="checkbox"/> 2310-034	Bare reel, 50' x 1" ID hose or 75' x 1/2" ID hose	-
<input type="checkbox"/> 2310-043	50' x 1" ID hose Diesel	8481-050
<input type="checkbox"/> 2310-042	50' x 1" ID hose Evacuation	8181-050

\* Verify they system design supports the use of an evacuation reel.  
For specific windshield wash applications contact Balcrank Engineering for recommendations.  
\*\* Double spring reel

## TECHNICAL DATA

### Low & Medium Pressure Reels

Fluid inlet port	1" NPT(F) swivel
Fluid outlet port	1" NPT(F) swivel
Hose outlet thread	1/2" NPT(M) for 1/2" ID Hoses
	3/4" NPT(M) for 3/4" ID Hoses
	1" NPT(M) for 1" ID Hoses
Wetted Materials	Nickel plated steel and Buna-N™
Service Bulletin	SB 2029