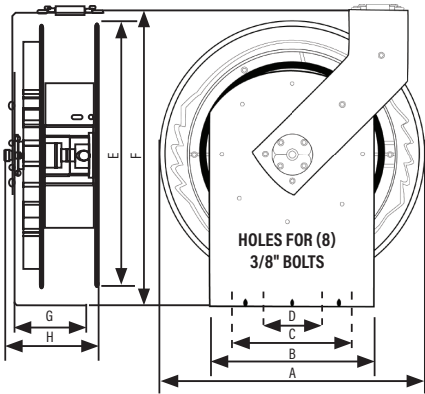
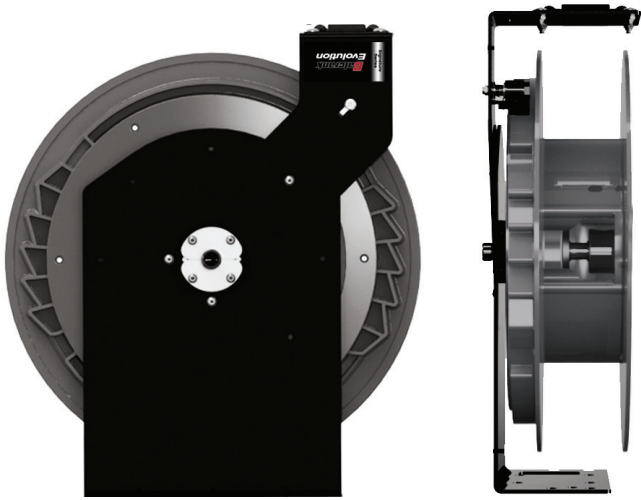


Product Selection Matrix Signature Series Hose Reels

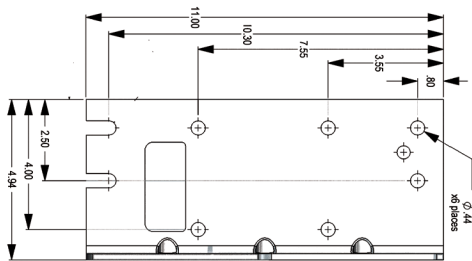
MAX. HOSE	CONSTRUCTION	RECOMMENDED MARKETS	RECOMMENDED APPLICATIONS	MOUNTING
EVOLUTION				
50' x 1/2"	Composite spool Steel pedestal Dual ball-bearings	Grease Small to medium dealerships Tire shops Transmission shops	Air/Water - low pressure Oil - medium pressure Grease - high pressure Enclosed models	Ceiling, floor, wall, truck, tank
CLASSIC				
50' x 1/2" 30' x 3/4"	All steel spool and Pedestal	Grease Auto dealerships Tire shops Transmission Shops	Air/Water - low pressure Diesel - low pressure Oil - medium pressure DEF - medium pressure Grease - high pressure Enclosed models	Ceiling, floor, wall, tank
PREMIUM				
60' x 1/2"	All steel spool and Pedestal Double arm Dual ball-bearings	Truck shops Municipalities Railroad Mining Lube trucks	Air/Water - low pressure Oil - medium pressure Grease - high pressure	Ceiling, floor, wall, truck, tank
EXTENDED VOLUME (EV)				
50' x 3/4" 65' x 3/8" 65' x 1/2"	All steel spool and Pedestal Heavy duty High capacity Double arm Dual ball-bearings	Truck shops Municipalities Railroad Mining Lube trucks	Air/Water - low pressure DEF - low pressure Diesel - low pressure Oil - medium pressure Grease - high pressure	Ceiling, floor, wall, truck, tank
EXTENDED VOLUME EXTRA (EVX)				
50' x 1" 75' x 3/4" 100' x 1/2"	All steel spool and Pedestal Heavy duty High capacity Double arm Dual ball-bearings	Truck shops Municipalities Railroad Mining Lube trucks	Air/Water - low pressure Diesel - low pressure Evacuation - low pressure Oil - medium pressure	Floor, truck, tank
EXTENDED VOLUME+ (EVX+)				
50' x 1 1/2"	All steel spool and Pedestal Heavy duty High capacity Double arm Dual ball-bearings Dual spring	Truck shops Municipalities Railroad Mining Lube trucks	Air/Water - low pressure Diesel - low pressure Oil - medium pressure	Floor, truck, tank

Hose Reels

Signature Series Hose Reels - Evolution Series



DIMENSIONS INCHES							
A	B	C	D	E	F	G	H
18"	11"	9.5"	4"	18"	20"	5"	6.5"



Overview

Evolution Hose Reel: an Evolution in Design and Performance

Lightweight but extremely rugged: steel pedestal and arm and dual ball-bearings. The Evolution is a solid performer. The Evolution combines design, performance and reliability with the right features and benefits for today's customers.

All Evolution series reels have a narrow and lightweight design; includes hose, hose stop and a 2.5' connecting hose.

MODELS AVAILABLE	DESCRIPTION	REPLACEMENT HOSE
Air & water low pressure 300 psi (21 bar) for delivery of air, water, windshield wash fluid, and anti-freeze		
<input type="checkbox"/> 2140-021	Bare reel - up to 50' Hose	
<input type="checkbox"/> 2140-007	30' x 3/8" ID hose	8136-030
<input type="checkbox"/> 2140-008	50' x 3/8" ID hose	8136-050
<input type="checkbox"/> 2140-010	30' x 1/2" ID hose	8141-030
<input type="checkbox"/> 2140-011	50' x 1/2" ID hose	8141-050
Oil medium pressure 2,750 psi (190 bar) for delivery of lubricants		
<input type="checkbox"/> 2140-002	Bare reel - up to 50' Hose	
<input type="checkbox"/> 2140-013	30' x 1/2" ID hose	8241-030
<input type="checkbox"/> 2140-014	50' x 1/2" ID hose	8241-050
Grease high pressure 5,000 psi (345 bar) for delivery of grease		
<input type="checkbox"/> 2140-005	Bare reel - up to 50' Hose	
<input type="checkbox"/> 2140-019	30' x 3/8" ID hose	8332-030
<input type="checkbox"/> 2140-020	50' x 3/8" ID hose	8332-050

TECHNICAL DATA

Low & medium pressure reels

Fluid inlet port	1/2" NPT(F) swivel
Fluid outlet port	1/2" NPT(F) swivel
Hose outlet thread	1/4" NPT(M) for 3/8" ID Hoses
	1/2" NPT(M) for 1/2" ID Hoses
Wetted materials	Low Pressure - brass, Acetal & Buna-N™ Medium pressure - Steel (plated) & Buna-N™

High Pressure Reels

Fluid inlet port	3/8" NPT(F) swivel
Fluid outlet port	3/8" NPT(F) swivel
Hose outlet thread	1/4" NPT(M) for 3/8" ID Hoses
Wetted materials	Nickel Plated Steel, Hardened steel and Polyurethane
Service bulletin	SB 2025

Evolution Hose Reel Description

Lightweight but extremely rugged: steel pedestal and arm and dual ball-bearings. The Evolution is a solid performer. The Evolution combines design, performance and reliability with the right features and benefits for today's customers.

All Evolution series reels have a narrow and lightweight design; includes hose, hose stop and a 2.5' connecting hose.

Evolution Hose Reel Specifications

- 2.1. All Balcrank Evolution reels will have a pinch free, four-way roller hose guide that reduces hose wear and allows for delivery hose to be pulled tangent from 360°.
- 2.2. All Balcrank Evolution reels will utilize a composite high strength resin 8-position radial latch assembly for superior corrosion resistance and latching performance at desired hose length.
- 2.3. All Balcrank Evolution hose reels will include a full port, pressure balanced, swivel that produces minimal pressure loss with a flow path surface that is Nickel plated to provide excellent corrosion resistance and fluids compatibility.
- 2.4. All Balcrank Evolution reels will incorporate a de-clutching mechanism that eliminates the possibility of spring damage due to reverse winding of spool.
- 2.5. All Balcrank Evolution reels will utilize a composite spool and power spring canister produced from high strength resins that is dent and corrosion resistant. The enclosed power spring lubricated canister is removable and provides safe and convenient maintenance of power spring.
- 2.6. All Balcrank Evolution reels will have a power spring made from fatigue resistant Steel that is enclosed in a lubricated spring canister to protect against the environment.
- 2.7. All Balcrank Evolution reels will have a unitized stamped heavy-gauge Steel pedestal that includes stiffening gussets for superior rigidity.
- 2.8. All Balcrank Evolution reels will have a 7-position guide arm for multiple installation options; ceiling, wall, floor, tank, cabinet.
- 2.9. All Balcrank Evolution reels will have dual spool mount sealed ball bearings that reduce power spring fatigue, wear, and facilitates smooth and balanced operation during delivery hose extension and retraction.
- 2.10. All Balcrank Evolution reel components will be individually powder coated prior to assembly for corrosion resistance. Standard color is matte black, outlet guide arm is available in other colors upon request; gloss black, silver, green, red, blue, yellow, and white.
- 2.11. All Balcrank Evolution reels will include hose, hose stop, and a 2.5' connecting hose.

Materials

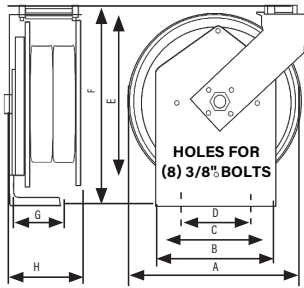
- 3.1. The wetted materials will consist of Brass, Acetal & Buna-N™ for low pressure
- 3.2. The wetted materials will consist of Steel (plated) & Buna-N™ for medium pressure
- 3.3. The wetted materials will consist of Nickel plated Steel, hardened Steel, and Polyethylene for high pressure

Warranty

- 4.1. Evolution Hose reel will have a 1-year standard warranty on defects in materials and workmanship only.
- 4.2. The reel hoses will have a 1-year replacement only warranty (defects in materials and workmanship only).

** Balcrank does not recommend pumping windshield wash or any other fluid below 100° flash point. Contact Balcrank for additional information.

Signature Series Hose Reels - Classic Series



DIMENSIONS INCHES							
A	B	C	D	E	F	G	H
16"	11"	9.5"	4"	16"	20"	5"	6-8"

Hose Reels

TECHNICAL DATA	
Low & Medium Pressure Reels	
Fluid inlet port	1/2" NPT(F) swivel
Fluid outlet port	1/2" NPT(F) swivel
Hose outlet thread	1/4" NPT(M) for 3/8" ID Hoses
	1/2" NPT(M) for 1/2" ID Hoses
Wetted materials	Plated steel, Brass, bronze and Buna-N™
High Pressure Reels	
Fluid inlet port	3/8" NPT(F) swivel
Fluid outlet port	3/8" NPT(F) swivel
Hose outlet thread	1/4" NPT(M) for 1/4" ID Hoses
	1/4" NPT(M) for 3/8" ID Hoses
Wetted materials	Plated steel, hardened steel and Buna-N™
Service Bulletin	SB 2002 SB 2002-A (No arm reels)

STANDARD color	Special color 2-week lead-time					
Semi-gloss Black	Wt	Gr	Bl	Rd	Silver	Yl
-	-002	-003	-004	-005	-006	-007

Custom color 6-week lead time
based on specifications supplied by the customer

Overview

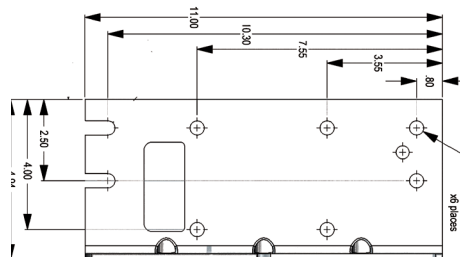
The Classic Hose Reel has been the standard of reliability for over a decade.

This solid, all Steel hose reel is preferred for general duty, automotive dealerships, and service garages. Proven performance and reliable operation.

All Classic series reels includes hose, hose stop and a 2.5' connecting hose.

MODELS AVAILABLE	DESCRIPTION	REPLACEMENT HOSE
Air & Water Low Pressure 300 psi (21 bar) for delivery of air, water, anti-freeze and windshield wash		
<input type="checkbox"/> 2120-016	Bare reel - up to 30' Hose	--
<input type="checkbox"/> 2120-017	Bare reel - up to 50' Hose	--
<input type="checkbox"/> 2120-014	30' x 3/8" ID hose	8136-030
<input type="checkbox"/> 2120-005	40' x 3/8" ID hose	8136-040
<input type="checkbox"/> 2120-015	50' x 3/8" ID hose	8136-050
<input type="checkbox"/> 2120-021*	30' x 3/8" ID hose. No arm	8141-030
<input type="checkbox"/> 2120-020	50' x 1/2" ID hose	8141-050
<input type="checkbox"/> 2120-025	30' x 3/8" ID hose- Nitrogen	8135-030
<input type="checkbox"/> 2120-026	50' x 3/8" ID hose- Nitrogen	8135-050
Oil medium pressure 2,750 psi (190 bar) for delivery of lubricants		
<input type="checkbox"/> 2120-016	Bare reel - up to 30' Hose	--
<input type="checkbox"/> 2120-017	Bare reel - up to 50' Hose	--
<input type="checkbox"/> 2120-011	30' x 1/2" ID hose	8241-030
<input type="checkbox"/> 2120-012	40' x 1/2" ID hose	8241-040
<input type="checkbox"/> 2120-013	50' x 1/2" ID hose	8241-050
<input type="checkbox"/> 2120-022*	16' x 1/2" ID hose. No arm	8241-016
Grease High pressure 5,000 psi (345 bar) for delivery of grease.		
<input type="checkbox"/> 2120-018	Bare reel - up to 30' Hose	--
<input type="checkbox"/> 2120-019	Bare reel - up to 50' Hose	--
<input type="checkbox"/> 2120-003	30' x 3/8"	--
<input type="checkbox"/> 2120-004	40' x 3/8" ID hose	8331-040
<input type="checkbox"/> 2120-007	50' x 3/8" ID hose	8331-050
<input type="checkbox"/> 2120-001	30' x 1/4" ID hose	8321-030
<input type="checkbox"/> 2120-002	40' x 1/4" ID hose	8321-040
<input type="checkbox"/> 2120-006	50' x 1/4" ID hose	8321-050

* Classic reel less outlet arm for workbench mounting
For specific windshield wash applications contact Balcrank Engineering for recommendations.



Classic Hose Reel Description

This solid, all Steel hose reel is preferred for general duty, automotive dealerships, and service garages. Proven performance and reliable operation; all Classic series reels includes hose, hose stop and a 2.5' connecting hose.

Classic Hose Reel Specifications:

- 2.1. All Balcrank Classic reel will have a pinch free, four-way roller hose guide that reduces hose wear and allows for delivery hose to be tangent pulled from 360°
- 2.2. All Balcrank Classic reels will utilize a die cast Aluminum 8-position radial latch assembly for superior corrosion resistance and latching performance at desired hose length.
- 2.3. All Balcrank low and medium Classic hose reels will include a full port, pressure balanced, swivel that produces minimal pressure loss with a flow path surface made from bronze and pressure specific Brass shaft that provides excellent corrosion resistance and fluid compatibility.
- 2.4. All Balcrank Classic reels will have a de-clutching mechanism that eliminates the possibility of spring damage due to reverse winding of the spool.
- 2.5. All Balcrank Classic reels will utilize a stamped Steel power spring canister. The power spring lubricated canister is removable and provides safe and convenient maintenance of power spring.
- 2.6. All Balcrank Classic reels utilizes a power-spring made from fatigue resistant Steel that is enclosed in a lubricated spring canister to protect against the environment.
- 2.7. All Balcrank Classic reels will have a single unitized stamped heavy-gauge Steel pedestal that includes stiffening gussets for superior rigidity.
- 2.8. All Balcrank Classic reels will have a 7-position guide arm for multiple installation options; ceilings, walls, tanks, cabinets.
- 2.9. All Balcrank Classic reels components will be individually powder coated prior to assembly for corrosion resistance. Standard color is matte black, outlet hose guide is available in other colors upon request; gloss black, silver, green, red, blue, yellow, and white.
- 2.10. All Balcrank Classic reels will have a single-arm outlet design for easy hose replacement.
- 2.11. All Balcrank Classic reels will include hose, hose stop, and a 2.5' connecting hose.

Materials

- 3.1. The wetted materials will consist of plated Steel, Brass, bronze, and Buna-N™ for low and medium pressure
- 3.2. The wetted materials will consist of plated Steel, hardened Steel, and Buna-N™ for high pressure

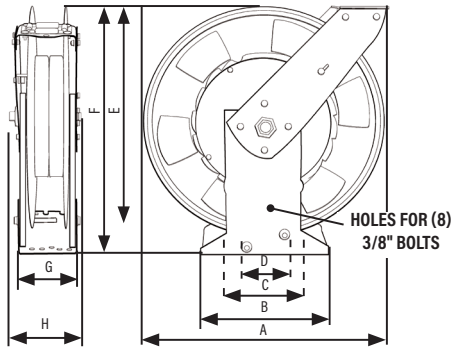
Warranty

- 4.1. All Balcrank Classic will have a 1-year standard warranty on defects in materials and workmanship only.
- 4.2. The reel hoses will have a 1-year replacement only warranty (defects in materials and workmanship only).

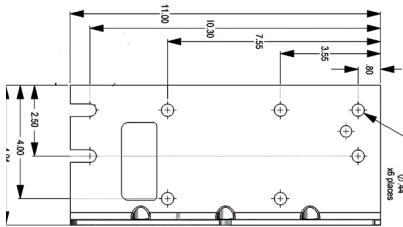
Custom Reels						
CUSTOM and SPECIAL color painted reels can add style to an installation and match OEM color schemes.						
Custom colors are available on all Classic open and enclosed reels. Balcrank's STANDARD paint color for reels is semi-gloss black.						
SPECIAL colors are available in: silver, green, red, blue, yellow, textured black, and white. All SPECIAL color reel orders require a minimum 2-week lead time.						
CUSTOM colors are also available on open and enclosed Classic reels. Balcrank can match CUSTOM colors based on specifications supplied by the customer. All CUSTOM colors require a minimum 6-week lead time. Additional fees may apply.						
Semi-Gloss	White	Green	Blue	Red	Silver	Yellow
-	-002	-003	-004	-005	-006	-007

Hose Reels

Signature Series Hose Reels - Premium Series



DIMENSIONS INCHES							
A	B	C	D	E	F	G	H
20.5"	11"	9 1/2"	4"	20.25"	21.5"	5.5"	6.75"



TECHNICAL DATA

Low & Medium Pressure Reels

Fluid inlet port	1/2" NPT(F) swivel
Fluid outlet port	1/2" NPT(F) swivel
Hose outlet thread	1/2" NPT(M) for 3/8" ID Hoses
	1/2" NPT(M) for 1/2" ID Hoses
Wetted Materials	Low pressure - Brass, Acetal & Buna-N™ Med. pressure - Steel (plated) & Buna-N™
High Pressure Reels	
Fluid inlet port	3/8" NPT(F) swivel
Fluid outlet port	3/8" NPT(F) swivel
Hose outlet thread	1/4" NPT(M) for 1/4" ID Hoses
	1/4" NPT(M) for 3/8" ID Hoses
Wetted Materials	Nickel plated steel, hardened steel and Polyethylene
Wetted Materials	Hardened steel and Polyurethane
Service Bulletin	SB 2027

Overview

Premium Hose Reel for the toughest shop environments

Today's heavy-duty hose reel market demands an innovative use of components that provide long life, improved serviceability and superior structural design.

Our Premium reel incorporates advanced design features that ensures long life in the toughest environments while reducing overall weight.

All Premium series reels have a narrow design; includes hose, hose stop and a 2.5' connecting hose.

MODELS AVAILABLE	DESCRIPTION	REPLACEMENT HOSE
Air & Water Low Pressure 300 psi (21 bar) for delivery of air, water, anti-freeze and windshield wash**		

<input type="checkbox"/>	2111-048	Bare reel - up to 50' Hose	-
<input type="checkbox"/>	2111-049	Bare reel - up to 60' Hose	-
<input type="checkbox"/>	2111-031	30' x 3/8" ID hose	8136-030
<input type="checkbox"/>	2111-032	40' x 3/8" ID hose	8136-040
<input type="checkbox"/>	2111-033	50' x 3/8" ID hose	8136-050
<input type="checkbox"/>	2111-034	60' x 3/8" ID hose (50' + 10')*	8136-060
<input type="checkbox"/>	2111-035	40' x 1/2" ID hose	8141-040
<input type="checkbox"/>	2111-036	50' x 1/2" ID hose	8141-050
<input type="checkbox"/>	2111-037	60' x 1/2" ID hose (50' + 10')*	8141-060

Oil Medium Pressure 2,750 psi (190 bar) for delivery of lubricants

<input type="checkbox"/>	2111-027	Bare reel - up to 50' Hose	-
<input type="checkbox"/>	2111-028	Bare reel - up to 60' Hose	--
<input type="checkbox"/>	2111-038	30' x 1/2" ID hose	8241-030
<input type="checkbox"/>	2111-039	40' x 1/2" ID hose	8241-040
<input type="checkbox"/>	2111-040	50' x 1/2" ID hose	8241-050
<input type="checkbox"/>	2111-041	60' x 1/2" ID hose (50' + 10')*	8241-060

Grease High-pressure 5,000 psi (345 bar) for delivery of grease.

<input type="checkbox"/>	2111-029	Bare reel - up to 50' Hose	--
<input type="checkbox"/>	2111-030	Bare reel - up to 60' Hose	--
<input type="checkbox"/>	2111-045	40' x 3/8" ID hose	8332-040
<input type="checkbox"/>	2111-046	50' x 3/8" ID hose	8332-050
<input type="checkbox"/>	2111-047	60' x 3/8" ID hose (50' + 10')*	8332-060
<input type="checkbox"/>	2111-042	40' x 1/4" ID hose	8323-040
<input type="checkbox"/>	2111-043	50' x 1/4" ID hose	8323-050
<input type="checkbox"/>	2111-044	60' x 1/4" ID hose (50' + 10')*	8323-060

* 50' on spool with 10' hanging

** For specific windshield wash applications contact Balcrank Engineering for recommendations.

Premium Hose Reel Description

Today's heavy-duty hose reel market demands an innovative use of components that provide long life, improved serviceability and superior structural design.

Our Premium reel incorporates advanced design features that ensures long life in the toughest environments while reducing overall weight.

All Premium series reels have a narrow design; includes hose, hose stop and a 2.5' connecting hose.

Premium Hose Reel Specifications:

- 2.1. All Balcrank Premium reels will have a pinch free, four-way roller hose guide that reduces hose wear and allows for delivery hose to be tangent pulled from 360°.
- 2.2. All Balcrank Premium reels will utilizes a 10-position heavy-duty cast latch mechanism for secure hose lock performance at desired hose length.
- 2.3. All Balcrank Premium hose reels will include a full port, pressure balanced, swivel that produces minimal pressure loss with a flow path surface that is Nickel plated to provide excellent corrosion resistants and fluids compatibility.
- 2.4. All Balcrank Premium reels will incorporate a de-clutching mechanism that eliminates the possibility of spring damage due to reverse winding of spool.
- 2.5. All Balcrank Premium reels will have a heavy-gauge Steel twin pedestal and hose guide assembly for superior rigidity and increased strength for extreme-duty applications
- 2.6. All Balcrank Premium reels will utilizes a power-spring made from fatigue resistant Steel that is enclosed in a lubricated spring canister to protect against the environment.
- 2.7. All Balcrank Premium hose reels will have a 7-position twin guide arm for multiple installation options; ceiling, wall, floor, tank, cabinet, or mobile lube applications.
- 2.8. All Balcrank Premium reels will have dual spool mount sealed ball bearings that reduce power spring fatigue, wear, and facilitates a smooth and balanced operation during delivery hose extension and retraction.
- 2.9. All Balcrank Premium reels components will be individually powder coated prior to assembly for corrosion resistance.
- 2.10. All Balcrank Premium reels will include hose, hose stop, and a 2.5' connecting hose.

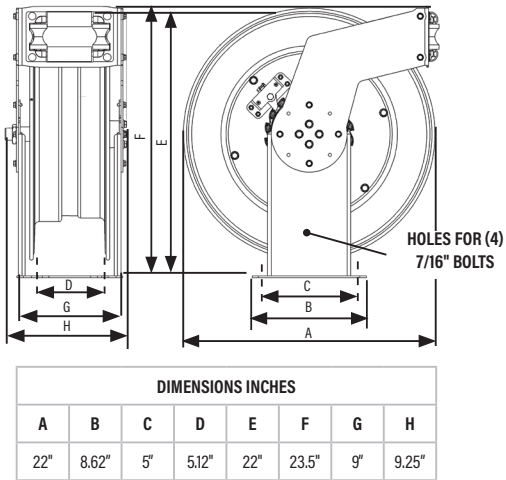
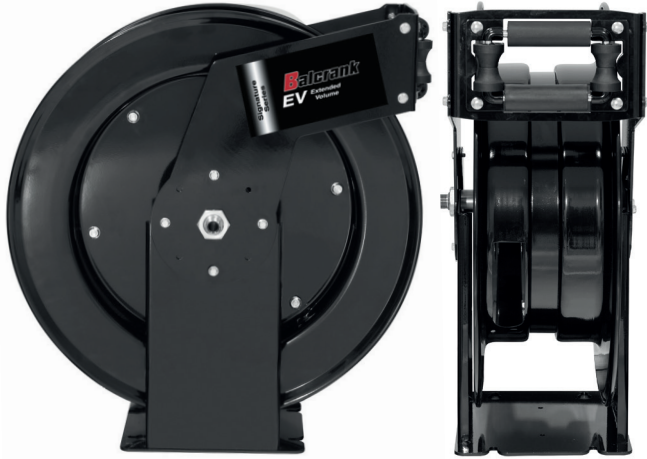
Materials

- 3.1. The wetted materials will consist of Brass, Acetal & Buna-N™ for low pressure
- 3.2. The wetted materials will consist of Steel (plated) & Buna-N™ for medium pressure
- 3.3. The wetted materials will consist of Nickel plated Steel, hardened Steel, and Polyethylene for high pressure

Warranty

- 4.1. All Balcrank Premium will have a 1-year standard warranty on defects in materials and workmanship only.
- 4.2. The reel hoses will have a 1-year replacement only warranty (defects in materials and workmanship only).

Signature Series Hose Reels - EV Series



TECHNICAL DATA

Diesel, Low & Medium Pressure Reels

Fluid inlet port	3/4" NPT(F) swivel
Fluid outlet port	3/4" NPT(F) swivel
Hose outlet thread	1/2" NPT(M) for 1/2" ID Hoses
	3/4" NPT(M) for 3/4" ID Hoses
Wetted Materials	Nickel plated steel and Buna-N™
Service Bulletin	SB 2028

Low Pressure DEF Reels

Fluid inlet port	3/4" BSPP(F) swivel
Fluid outlet port	3/4" BSPP(F) swivel
Hose outlet thread	3/4" BSPP (M) for 3/4" ID Hoses
Wetted Materials	Stainless Steel, Polypropylene, & Viton®
Service Bulletin	SB 2028

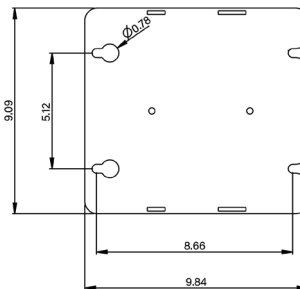
High Pressure Reels

Fluid inlet port	3/8" NPT(F) swivel
Fluid outlet port	3/8" NPT(F) swivel
Hose outlet thread	3/8" NPT(M)
Wetted Materials	Nickel Plated Steel, Hardened steel and Polyurethane
Service Bulletin	SB 2028

Overview

The Extended Volume, EV Series hose reels are designed for high volume heavy-duty applications where large hose diameters are required for increased flow. The EV reels will accommodate up to 50' of 3/4" ID hose or 65' of 1/2" ID hose. Perfect for heavy-duty fleet, construction, mining and industrial applications. All EV series reels include hose, hose stop and a 2.5' connecting hose.

MODELS AVAILABLE	DESCRIPTION	REPLACEMENT HOSE
Air & Water Low Pressure 300 psi (21 bar) for delivery of air, water and anti-freeze		
<input type="checkbox"/> 2310-033	Bare reel - up to 65' x 1/2" or 50' x 3/4"	-
<input type="checkbox"/> 2310-027	65' x 1/2" ID hose	8141-065
<input type="checkbox"/> 2310-028	50' x 3/4" ID hose	8161-050
Oil Medium Pressure for delivery of lubricants		
<input type="checkbox"/> 2310-033	Bare reel - up to 65' x 1/2" or 50' x 3/4"	-
<input type="checkbox"/> 2310-031	50' x 3/4" ID hose 1,950 psi (135 bar)	8264-050
<input type="checkbox"/> 2310-029	65' x 1/2" ID hose 2,750 psi (190 bar)	8250-065
Grease High pressure 5,000 psi (345 bar) for delivery of grease		
<input type="checkbox"/> 2310-046	65' x 3/8" ID hose	8332-065
Diesel Low Pressure 50 psi (3 bar) for delivery of diesel		
<input type="checkbox"/> 2310-033	Bare reel - up to 65' x 1/2" or 50' x 3/4"	-
<input type="checkbox"/> 2310-032	50' x 3/4" ID hose	8466-050
Diesel Exhaust Fluid Low Pressure 150 psi (10 bar) for delivery of diesel exhaust fluid		
<input type="checkbox"/> 2400-010	Bare reel - up to 65' x 1/2" or 50' x 3/4"	-
<input type="checkbox"/> 2400-011	50' x 3/4" ID hose	8569-050



EV Hose Reel Description

The Extended Volume, EV Series hose reels are designed for high volume heavy-duty applications where large hose diameters are required for increased flow. The EV reels will accommodate up to 50' of 3/4" ID hose or 65' of 1/2" ID hose. Perfect for heavy-duty fleet, construction, mining and industrial applications.

All EV series reels include hose, hose stop and a 2.5' connecting hose.

EV Hose Reel Specifications:

- 2.1. All Balcrank EV reels will have a pinch free, four-way roller hose guide that reduces hose wear and allows for delivery hose to be tangent pulled from 360°
- 2.2. All Balcrank EV reels will have a heavy-gauge Steel twin pedestal and hose guide assembly for superior rigidity and increased strength for extreme-duty applications.
- 2.3. All Balcrank EV reels will have capacity to handle a maximum of 100 ft. of hose, depending on fluid application and hose diameter.
- 2.4. All Balcrank EV reels will include hose, hose stop, and a 2.5' connecting hose.
- 2.5. All Balcrank EV reels will utilize a power-spring made from fatigue resistant Steel that is enclosed in a lubricated spring canister to protect against the environment.
- 2.6. All Balcrank EV hose reels will have a 7-position twin guide arm for multiple installation options; ceiling, wall, floor, tank, cabinet, or mobile lube applications.
- 2.7. All Balcrank EV hose reels will include a full port, pressure balanced, swivel that produces minimal pressure loss with a flow path surface that is Nickel plated to provide excellent corrosion resistance and fluids compatibility.
- 2.8. All Balcrank EV reels will utilize a 10-position heavy-duty cast latch mechanism for secure hose lock performance at desired hose length.
- 2.9. All Balcrank EV reels will have a dual spool mount sealed ball bearings that reduce power spring fatigue, wear, and facilitates a smooth, and balanced operation during delivery hose extension and retraction.
- 2.10. All Balcrank EV reel components will be individually powder coated prior to assembly for corrosion resistance.
- 2.11. All Balcrank EV reels will incorporate a de-clutching mechanism that eliminates the possibility of spring damage due to reverse winding of spool.

Materials

- 3.1. The wetted materials will consist of Nickel plated steel and Buna-N™ for diesel, low and medium pressure reels
- 3.2. The wetted materials will consist of Stainless Steel, Polypropylene, & Viton® on low pressure DEF reels
- 3.3. The wetted materials will consist of Nickel Plated Steel, Hardened steel and Polyurethane high pressure reels

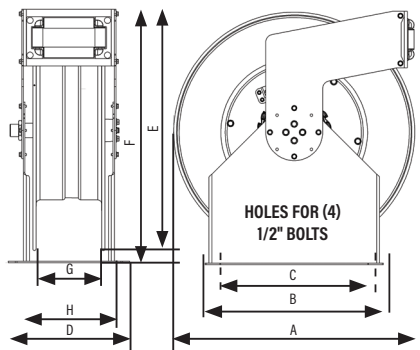
Warranty

- 4.1. All Balcrank EV reels will have a 1-year standard warranty defects in materials and workmanship .
- 4.2. The reel hoses will have a 1-year replacement only warranty (defects in materials and workmanship only).
- 4.3. Excludes all DEF packages & components, these carry a 1-year standard warranty.

Signature Series Hose Reels - EVX Series

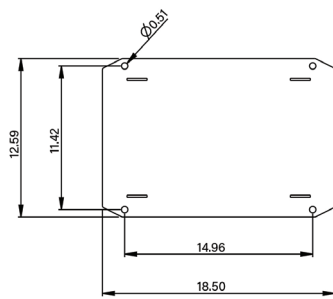


Hose Reels

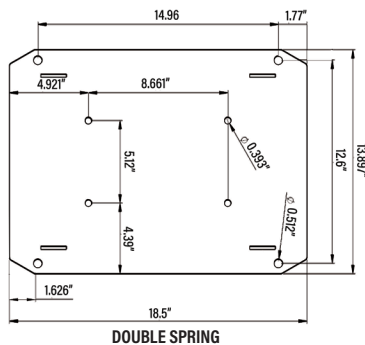


SINGLE SPRING DIMENSIONS INCHES							
A	B	C	D	E	F	G	H
25"	18.5"	15"	12.6"	25"	26.5"	7"	11.4"

DOUBLE SPRING DIMENSIONS INCHES							
A	B	C	D	E	F	G	H
25"	18.5"	15"	13.9"	25"	26.5"	8.5"	12.6"



SINGLE SPRING



DOUBLE SPRING

Overview

The Extended Volume, EVX Series hose reels are designed for high volume heavy-duty applications where large hose diameters are required for increased flow. The EVX reels will accommodate up to 50' of 1" ID hose or 100' of 1/2" ID hose. Perfect for heavy-duty fleet, construction, mining and industrial applications. All EVX series reels include hose, hose stop and a 2.5' connecting hose.

MODELS AVAILABLE	DESCRIPTION	REPLACEMENT HOSE
Air & Water Low Pressure 300 psi (21 bar) for delivery of air, water and anti-freeze		
<input type="checkbox"/> 2310-034	Bare reel, 50' x 1" ID hose or 75' x 1/2" ID hose	-
<input type="checkbox"/> 2310-035**	Bare reel, 75' x 3/4" ID hose or 100' x 1/2" ID hose	-
<input type="checkbox"/> 2310-036**	75' x 1/2" ID hose	8141-075
<input type="checkbox"/> 2310-037**	100' x 1/2" ID hose	8141-100
<input type="checkbox"/> 2310-038**	75' x 3/4" ID hose	8161-075
<input type="checkbox"/> 2310-039	50' x 1" ID hose	8181-050
Oil Medium Pressure 1,525 psi (105 bar) & 2,320 (160 bar) for delivery of lubricants		
<input type="checkbox"/> 2310-035**	Bare reel, 75' x 3/4" ID hose or 100' x 1/2" ID hose	-
<input type="checkbox"/> 2310-045**	50' x 1" ID hose 1,500 psi	8281-050
<input type="checkbox"/> 2310-041**	75' x 3/4" ID hose 1,525 psi	8264-075
<input type="checkbox"/> 2310-040**	100' x 1/2" ID hose 2,320 psi	8250-100
Diesel & Evacuation Low Pressure 50 psi (3 bar) for delivery of diesel fuel and used oil evacuation*		
<input type="checkbox"/> 2310-034	Bare reel, 50' x 1" ID hose or 75' x 1/2" ID hose	-
<input type="checkbox"/> 2310-043	50' x 1" ID hose Diesel	8481-050
<input type="checkbox"/> 2310-042	50' x 1" ID hose Evacuation	8181-050

* Verify they system design supports the use of an evacuation reel.
For specific windshield wash applications contact Balcrank Engineering for recommendations.
** Double spring reel

TECHNICAL DATA

Low & Medium Pressure Reels

Fluid inlet port	1" NPT(F) swivel
Fluid outlet port	1" NPT(F) swivel
Hose outlet thread	1/2" NPT(M) for 1/2" ID Hoses
	3/4" NPT(M) for 3/4" ID Hoses
	1" NPT(M) for 1" ID Hoses
Wetted Materials	Nickel plated steel and Buna-N™
Service Bulletin	SB 2029

EVX Hose Reel Description

The Balcrank EVX Series hose reels are designed for high volume, heavy-duty applications where large hose diameters are required for increased flow. EVX reel is ideal for heavy-duty fleet, construction, mining, aviation, and industrial applications.

All EVX series reels include hose, hose stop and a 2.5' connecting hose.

EVX Hose Reel Specifications:

- 2.1. All Balcrank EVX reels will have a pinch free, four-way roller hose guide that reduces hose wear and allows for delivery hose to be tangentially pulled from 360°
- 2.2. All Balcrank EVX reels will have a heavy-gauge Steel twin pedestal and hose guide assembly for superior rigidity and increased strength for extreme-duty applications.
- 2.3. All Balcrank EVX reels will have capacity to handle a maximum of 100 ft. of hose, depending on fluid application and hose diameter.
- 2.4. All Balcrank EVX reels will include hose, hose stop, and a 2.5' connecting hose.
- 2.5. All Balcrank EVX reels will utilize a power-spring made from fatigue resistant Steel that is enclosed in a lubricated spring canister to protect against the environment.
- 2.6. All Balcrank EVX hose reels will have a 7-position twin guide arm for multiple installation options; ceiling, wall, floor, tank, cabinet, or mobile lube applications.
- 2.7. All Balcrank EVX hose reels will include a full port, pressure balanced, swivel that produces minimal pressure loss with a flow path surface that is Nickel plated to provide excellent corrosion resistance and fluids compatibility.
- 2.8. All Balcrank EVX reels will utilize a 10-position heavy-duty cast latch mechanism for secure hose lock performance at desired hose length.
- 2.9. All Balcrank EVX reels will have a dual spool mount sealed ball bearings that reduce power spring fatigue, wear, and facilitates a smooth, and balanced operation during delivery hose extension and retraction.
- 2.10. All Balcrank EVX reel components will be individually powder coated prior to assembly for corrosion resistance.
- 2.11. All Balcrank EVX reels will incorporate a de-clutching mechanism that eliminates the possibility of spring damage due to reverse winding of spool.

Materials

- 3.1. The wetted materials will consist of Nickel-plated Steel and Buna-N™.

Warranty

- 4.1. The EVX Hose reel will have a 1-year standard warranty on defects in materials and workmanship only.
- 4.2. The reel hoses will have a 1-year replacement only warranty (defects in materials and workmanship only).

Signature Series Hose Reels - EVX+ Series



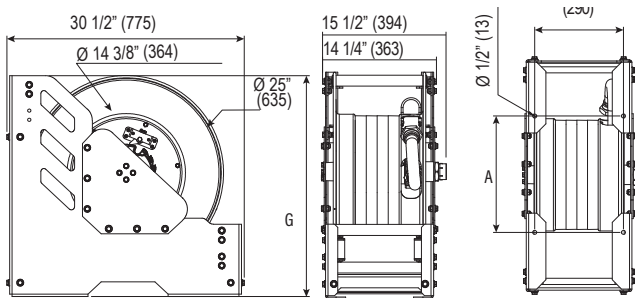
Overview

The Extended Volume+, EVX+ Series hose reel is designed for extreme heavy-duty applications where large hose diameters are required for increased flow. The dual spring EVX+ reel will accommodate up to 50' of 1 1/2" hose. Perfect for heavy-duty fleet, construction, mining and industrial applications.

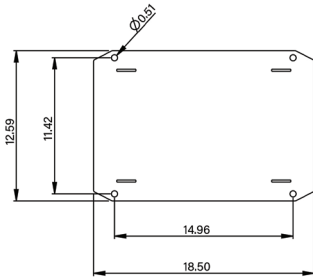
Hose not included

MODELS AVAILABLE	DESCRIPTION
	Air, Water, Diesel & Low Pressure Oil Transfer 580 psi (21 bar)
<input type="checkbox"/> 2310-047	Bare reel, 50' x 1 1/2" ID

Hose Reels



DIMENSIONS INCHES								
A	B	C	D	E	F	G	H	I
15"	0.5"	11.43"	30.5"	14.37"	25"	28.25"	15.5"	14.25"



TECHNICAL DATA

Diesel, Low Pressure Reels

Fluid inlet port	1 1/2" NPT(F) swivel
Fluid outlet port	1 1/2" NPT(F) swivel
Hose outlet thread	1 1/2" NPT(F) for 1 1/2"
Wetted Materials	Steel, nickel plated steel, Nitrile rubber, nickel plated aluminum
Service Bulletin	SB 2040

EVX+ Hose Reel Description

The Extended Volume+, EVX+ Series hose reel is designed for extreme heavy-duty applications where large hose diameters are required for increased flow. The dual spring EVX+ reel will accommodate up to 50' of 1 1/2" hose. Perfect for heavy-duty fleet, construction, mining and industrial applications.

EVX Hose Reel Specifications:

- 2.1. All Balcrank EVX+ reels will have a pinch free, four-way roller hose guide that reduces hose wear and allows for delivery hose to be tangent pulled from 360°
- 2.2. All Balcrank EVX+ reels will have a heavy-gauge steel twin pedestal and hose guide assembly for superior rigidity and increased strength for extreme-duty applications.
- 2.3. All Balcrank EVX+ reels will have capacity to handle a maximum of 50 ft. of hose, depending on fluid application and hose diameter.
- 2.4. All Balcrank EVX+ reels will utilize a power-spring made from fatigue resistant steel that is enclosed in a lubricated spring canister to protect against the environment.
- 2.5. All Balcrank EVX+ hose reels will include a full port, pressure balanced, swivel that produces minimal pressure loss with a flow path surface that is nickel plated to provide excellent corrosion resistance and fluids compatibility.
- 2.6. All Balcrank EVX+ reels will utilize a 10-position heavy-duty cast latch mechanism for secure hose lock performance at desired hose length.
- 2.7. All Balcrank EVX+ reels will have a dual spool mount sealed ball bearings that reduce power spring fatigue, wear, and facilitates a smooth, and balanced operation during delivery hose extension and retraction.
- 2.8. All Balcrank EVX+ frame and spool components will be individually powder coated prior to assembly for corrosion resistance.
- 2.9. All Balcrank EVX+ reels will incorporate a de-clutching mechanism that eliminates the possibility of spring damage due to reverse winding of spool.
- 2.10. All Balcrank EVX+ reels will not include hose.

Materials

- 3.1. The wetted materials will consist of Steel, Nickel-plated Steel, Nitrile rubber, Nickel-plated aluminum.

Warranty

- 4.1. The EVX+ Hose reel will have a 1-year standard warranty on defects in materials and workmanship only.
- 4.2. The reel hoses will have a 1-year replacement only warranty (defects in materials and workmanship only).

Signature Series Hose Reels - Enclosed Hose Reels

CHOOSE YOUR REEL

MODELS AVAILABLE	DESCRIPTION
Air & Water Low Pressure 300 psi (21 bar) for delivery of air, water and anti-freeze	
2251-338	30' x 3/8" ID hose
2251-538	50' x 3/8" ID hose
2251-312	30' x 1/2" ID hose
2251-512	50' x 1/2" ID hose
Oil Medium Pressure 3,000 psi (207 bar) for delivery of lubricants	
2252-312	30' x 1/2" ID hose
2252-512	50' x 1/2" ID hose
Grease High-pressure 4,000 (276 bar) for delivery of grease	
2253-314	30' x 1/4" ID hose
2253-538	50' x 3/8" ID hose



ADD A LIGHT OR ELECTRIC REEL

MODELS AVAILABLE	DESCRIPTION
2254-518	Light Cord Reel & Bracket 50' x 18 gauge
2254-518D	Dual Light - 2 Light Cord Reels & Bracket - fits 1 single enclosure 50' x 18 gauge
2254-316	Electric Cord Reel & Bracket 30' x 10 amps, 3 outlet



CHOOSE YOUR SIDE ENCLOSURE

Order 1 side enclosure kit per reel

Side enclosure kits include: 2 side panels, 1 roller outlet assembly, 1 quick mounting plate, and hardware

MODELS AVAILABLE	DESCRIPTION
2250-011	kit, side enclosure black semi-gloss
2250-012	kit, side enclosure white
2250-013	kit, side enclosure green
2250-014	kit, side enclosure blue
2250-015	kit, side enclosure red
2250-016	kit, side enclosure silver
2250-017	kit, side enclosure yellow



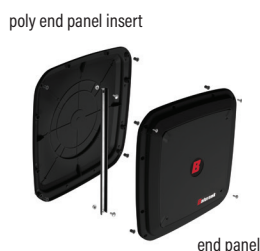
CHOOSE YOUR END PANEL KIT

Order 1 end panel kit per reel bank

End panel kits include: 2 end panels, 2 poly end panel inserts, 1 end bar support, and hardware

End Panel insert standard color is black. To order a white insert add a "W" to the model number, listed below. *example* - 2250-003W = kit, end panels green with white end panel insert

MODELS AVAILABLE	DESCRIPTION
2250-001	kit, end panels black semi-gloss
2250-002	kit, end panels white
2250-003	kit, end panels green
2250-004	kit, end panels blue
2250-005	kit, end panels red
2250-006	kit, end panels silver
2250-007	kit, end panels yellow



Overview

Balcrank recommends using mounting channels or framing strut for installation of these enclosures.

- All Steel cabinets have high quality, powder coated finish providing corrosion resistance
- Cabinet design provides smooth and easy operation: prevents hose pinch and reduces wear when pulling from any angle
- Simple installation and serviceability
- Cabinet design ties all reels in the bank together to form one complete rigid structure
- Aluminum end panels with removable poly inserts provides fast and easy serviceability

Channels are designed to build a bank of reels

- When mounting directly to an I-Beam, use Mounting Channel I-Beam Bracket Kit #2230-002 to mount channel to a structural I-beam.

Enclosed hose reels not recommended for wall-mounting

<input type="checkbox"/> 2230-003	Mounting Channel - 1 Reel
<input type="checkbox"/> 2230-004	Mounting Channel - 2 Reel
<input type="checkbox"/> 2230-005	Mounting Channel - 3 Reel
<input type="checkbox"/> 2230-007	Mounting Channel - 5 Reel
<input type="checkbox"/> 2230-002	Mounting Channel I-Beam Bracket Kit. Use two bracket kits for 2 or 3 reels. Use 3 brackets for 5 or 6 reels.

Signature Series Hose Reels - Hose Reel Stands



Hose reel stands

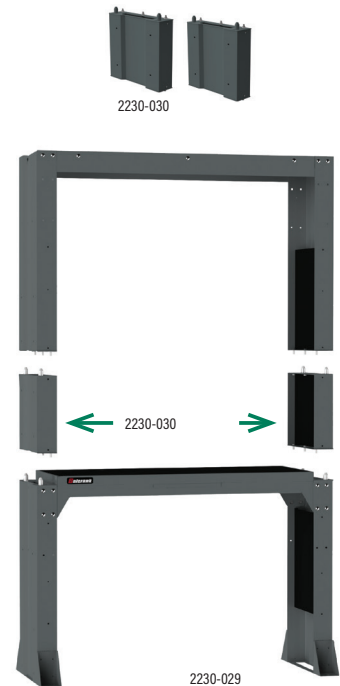
Heavy duty solid Steel stands offer an alternative to ceiling or wall mounting hose reels. All stands include mounting plates, gray finish and drip trays to keep unwanted oil off the floor. Available in 3, 5 and 6 reel models. Designed to fit the Evolution, Classic, and Premium Signature series hose reels.

MODELS AVAILABLE	DESCRIPTION
<input type="checkbox"/> 2230-027	3 reel hose stand. Dimensions: 47 x 15.5 x 87.5 inches.
<input type="checkbox"/> 2230-028	5 reel hose stand. Dimensions: 68.9 x 15.75 x 86.6 inches.
<input type="checkbox"/> 2230-029	6 reel hose stand. Dimensions: 78 x 30 x 103 inches.

Hose reel stand options

Accessories are available for use with the six reel stand 2230-029 only. Height extension kits increase the stand height by another 20" and expansion brackets allow for an additional 2-4 reels (2 on each side) to be mounted with a total of 10 possible hose reels. Drip tray keeps unwanted fluids of the floor.

MODELS AVAILABLE	DESCRIPTION
<input type="checkbox"/> 2230-030	Height extension kit Adds 20" additional height. <i>Sold in pairs</i>
<input type="checkbox"/> 2230-031	Expansion bracket Allows 2 additional reels to be mounted on each side of the hose reel stand
<input type="checkbox"/> 2230-035	Drip Tray for use with expansion bracket 2230-031. <i>Purchase one per Expansion bracket</i>



For large quantities check lead times with your Balcrank Representative.

Hose Reels