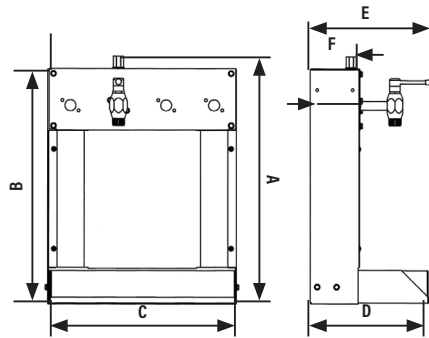


Control Handles Oil Dispensing Equipment



Dimensions inches (MM)					
A	B	C	D	E	F
24.4" (620)	24.6" (625)	19" (480)	11.6" (295)	9.25" (235)	5" (125)

NOTE: fluids must be compatible with wetted materials

Features

Balcrank's oil bar dispenser provides neat and convenient point-of-use dispensing for hand carried containers. This dispenser is easily incorporated into any fluid inventory control system.

- Up to four dispense points
- Heavy duty, metal body

Includes:

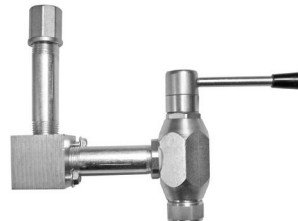
- One spigot (4200-012) with anti-splash, anti-drip diffuser nozzle
- Additional spigots sold separately

3

TECHNICAL DATA

Max. Working Pressure	1,000 psi (68.9 bar)
Spigot Inlet	1/2" NPT(F)
Recommended Fluids	Lubricants, gear oil, ATF, hydraulic fluid, and anti-freeze
Wetted Materials	Steel, aluminum, and Buna-N™
Service Bulletin	SB 4038 (4200-014)
	SB 4039 (4200-015)

MODEL AVAILABLE	DESCRIPTION
4200-014	Oil Bar Dispenser 4 Position, 1 Spigot included
4200-015	Oil Bar Dispenser 3 Position, 2 spigots included



MODEL AVAILABLE	DESCRIPTION
4200-011	Spigot Only

MODEL AVAILABLE	DESCRIPTION
4200-012	Straight Stem for Oil Bars

MODEL AVAILABLE	DESCRIPTION
4200-013	Goose neck (for use with taper pumps)

TECHNICAL DATA

Max operating pressure	1,000 psi (68.9 bar)
Inlet port size	3/8" NPT(F)
Recommended Fluids	Lubricants, gear oil, ATF, Hydraulic Fluid, and anti-freeze NOTE: fluids must be compatible with wetted materials
Wetted Parts	Steel, Aluminum and Buna-N™
Service Bulletin	SB 4037

TECHNICAL DATA

Max operating pressure	1,000 psi (68.9 bar)
Inlet port size	1/2" NPT(F)
Recommended Fluids	Lubricants, gear oil, ATF, Hydraulic Fluid, and anti-freeze NOTE: fluids must be compatible with wetted materials
Wetted Parts	Steel, Aluminum and Buna-N™
Service Bulletin	SB 4037

TECHNICAL DATA

Max operating pressure	1,000 psi (68.9 bar)
Inlet port size	3/4" NPT(F)
Recommended Fluids	Lubricants, gear oil, ATF, Hydraulic Fluid, and anti-freeze NOTE: fluids must be compatible with wetted materials
Wetted Parts	Steel, Aluminum and Buna-N™
Service Bulletin	SB 4037