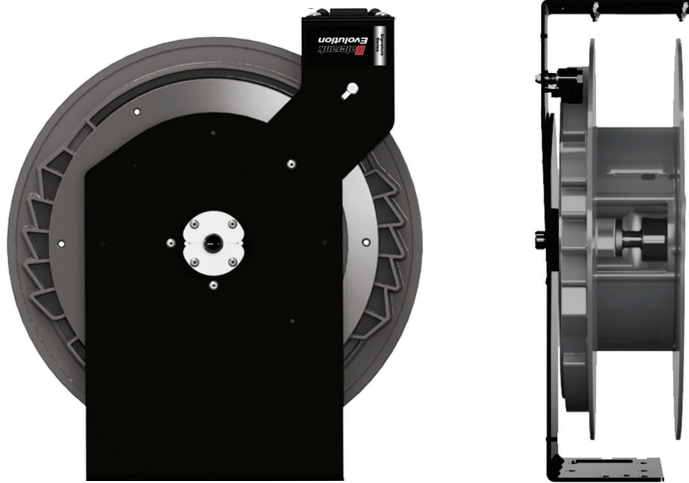


2



## Air & Water Anti-freeze Oil Grease

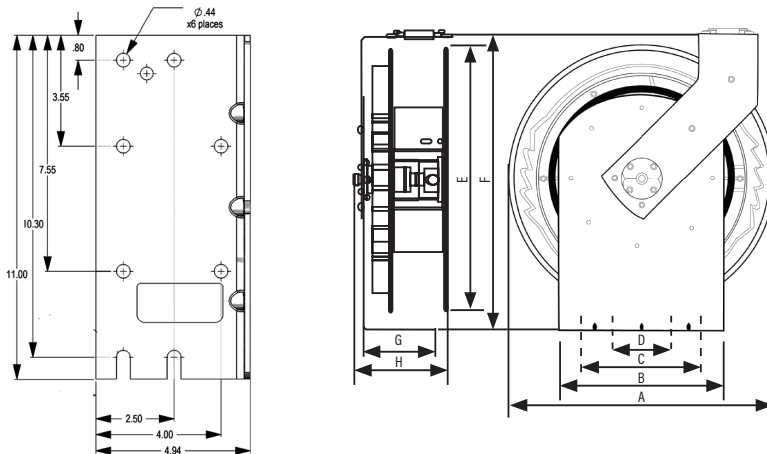
### Evolution Hose Reel: an Evolution in Design and Performance

Lightweight but extremely rugged: steel pedestal and arm and dual ball-bearings. The Evolution is a solid performer. The Evolution combines design, performance and reliability with the right features and benefits for today's customers.

**Evolution series reels have a narrow and lightweight design; includes hose, hose stop and a 2.5' connecting hose.**

MODELS AVAILABLE	DESCRIPTION	REPLACEMENT HOSE
Air & water low pressure 300 psi (21 bar) for delivery of air, water, windshield wash fluid, and anti-freeze		
2140-021	Bare reel - up to 50' Hose	
2140-007	30' x 3/8" ID hose	8136-030
2140-008	50' x 3/8" ID hose	8136-050
2140-010	30' x 1/2" ID hose	8141-030
2140-011	50' x 1/2" ID hose	8141-050
Oil medium pressure 2,750 psi (190 bar) for delivery of lubricants		
2140-002	Bare reel - up to 50' Hose	
2140-013	30' x 1/2" ID hose	8241-030
2140-014	50' x 1/2" ID hose	8241-050
Grease high pressure 5,000 psi (345 bar) for delivery of grease		
2140-005	Bare reel - up to 50' Hose	
2140-019	30' x 3/8" ID hose	8332-030
2140-020	50' x 3/8" ID hose	8332-050
Water high pressure 2,900 psi (200 bar) for delivery of hot water up to 302° F (150° C)		
2140-003	Bare reel - up to 50' Hose, hose inlet port 3/8" NPT (F)	

TECHNICAL DATA	
Low & Medium Pressure Reels	
Fluid inlet port	1/2" NPT(F) swivel
Fluid outlet port	1/2" NPT(F) swivel
Hose outlet thread	1/4" NPT(M) for 3/8" ID Hoses
	1/2" NPT(M) for 1/2" ID Hoses
Wetted materials	Low Pressure - Brass, Acetal & Buna-N™ Medium pressure - Steel (plated) & Buna-N™
High Pressure Reels	
Fluid inlet port	3/8" NPT(F) swivel
Fluid outlet port	3/8" NPT(F) swivel
Hose outlet thread	1/4" NPT(M) for 3/8" ID Hoses
Wetted materials	Nickel Plated Steel, Hardened steel and Polyurethane, Stainless Steel, Viton™
Service bulletin	SB 2025



Dimensions inches (MM)			
A	B	C	D
18" (458 mm)	11" (280 mm)	9.5" (242 mm)	4" (102 mm)
E	F	G	H
18" (458 mm)	20" (508 mm)	5" (127 mm)	6.5" (166 mm)