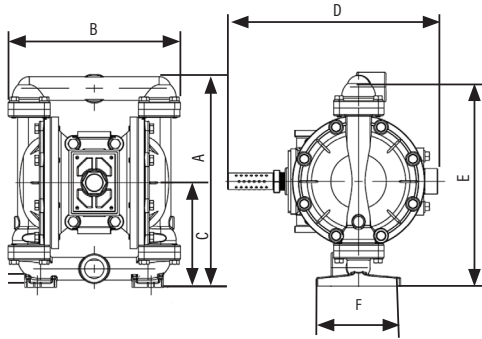


# AODD 1" UL Aluminum 45 gal/min



DIMENSIONS INCHES					
A	B	C	D	E	F
12.72"	10.25"	6.22"	12.5"	11.84"	5"

TECHNICAL DATA	
Air inlet	1/2" NPT(F)
Fluid inlet port	1" NPT(F)
Fluid outlet port	1" NPT(F)
Max. free flow	45 gal/min (170 l/min)
Air pressure range	45 -100 psi (3-6.8 bar)
Solids in suspension	1/4" (6 mm)
Wetted Materials	Nitrile, neoprene, PTFE, polypropylene and polyethylene
Recommended fluids	Light viscosity fluids synthetic, mineral oils, and Diesel Fuel
Recommended applications	Fluid dispensing, transfer, and evacuation.
Service Bulletin	SB 1113

\*\* Balcrank does not recommend pumping windshield wash or any other fluid below 100° flash point. Contact Balcrank for additional information.

## Fluids & Applications

This conventional pumps may be used as stand-alone pumps for transfer applications or as system pumps that include hose reels. Model 1120-015S is UL79 listed for pumping: Diesel Fuel, No. 4 Fuel Oils (or lighter), Motor Oil, Kerosene, and Water.

### Fluids

- Light viscosity fluids
- Synthetic and mineral oils
- Diesel Fuel
- Used Fluids

### Markets Served

- Car and truck dealers
- Fleets
- Construction
- Mass transit vehicles
- In-plant transfer
- Lube trucks

MODELS AVAILABLE	DESCRIPTION
1120-015S	1" UL Aluminum AODD Pump

