

**Hose Reels
Premium**



2

**Air & Water
Anti-freeze
Windshield wash
Oil
Grease**

Premium Hose Reel for the toughest shop environments

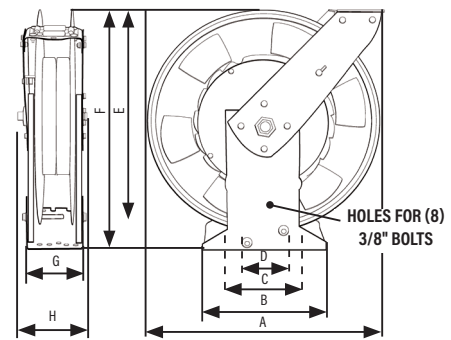
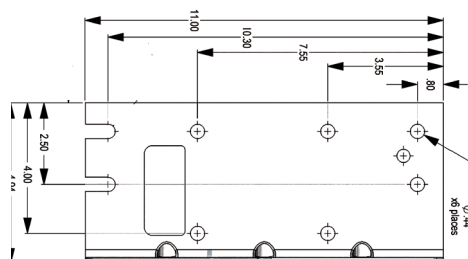
Today's heavy-duty hose reel market demands an innovative use of components that provide long life, improved serviceability and superior structural design. Our Premium reel incorporates advanced design features that ensures long life in the toughest environments while reducing overall weight.

All Premium series reels have a narrow design; includes hose, hose stop and a 2.5' connecting hose.

MODELS AVAILABLE	DESCRIPTION	REPLACEMENT HOSE
Air & Water Low Pressure 300 psi (21 bar) for delivery of air, water, anti-freeze and windshield wash**		
2111-048	Bare reel - up to 50' Hose	-
2111-049	Bare reel - up to 60' Hose	-
2111-031	30' x 3/8" ID hose	8136-030
2111-032	40' x 3/8" ID hose	8136-040
2111-033	50' x 3/8" ID hose	8136-050
2111-034	60' x 3/8" ID hose (50' + 10')*	8136-060
2111-035	40' x 1/2" ID hose	8141-040
2111-036	50' x 1/2" ID hose	8141-050
2111-037	60' x 1/2" ID hose (50' + 10')*	8141-060
Oil Medium Pressure 2,750 psi (190 bar) for delivery of lubricants		
2111-027	Bare reel - up to 50' Hose	-
2111-028	Bare reel - up to 60' Hose	-
2111-038	30' x 1/2" ID hose	8241-030
2111-039	40' x 1/2" ID hose	8241-040
2111-040	50' x 1/2" ID hose	8241-050
2111-041	60' x 1/2" ID hose (50' + 10')*	8241-060
Grease High-pressure 5,000 psi (345 bar) for delivery of grease.		
2111-029	Bare reel - up to 50' Hose	-
2111-030	Bare reel - up to 60' Hose	-
2111-045	40' x 3/8" ID hose	8332-040
2111-046	50' x 3/8" ID hose	8332-050
2111-047	60' x 3/8" ID hose (50' + 10')*	8332-060
2111-042	40' x 1/4" ID hose	8323-040
2111-043	50' x 1/4" ID hose	8323-050
2111-044	60' x 1/4" ID hose (50' + 10')*	8323-060

TECHNICAL DATA	
Low & Medium Pressure Reels	
Fluid inlet port	1/2" NPT(F) swivel
Fluid outlet port	1/2" NPT(F) swivel
Hose outlet thread	1/2" NPT(M) for 3/8" ID Hoses
	1/2" NPT(M) for 1/2" ID Hoses
Wetted Materials	Low pressure - Brass, Acetal & Buna-N Med. pressure - Steel (plated) & Buna-N
High Pressure Reels	
Fluid inlet port	3/8" NPT(F) swivel
Fluid outlet port	3/8" NPT(F) swivel
Hose outlet thread	1/4" NPT(M) for 1/4" ID Hoses
	1/4" NPT(M) for 3/8" ID Hoses
Wetted Materials	Nickel plated steel, hardened steel and Polyethylene
Wetted Materials	Hardened steel and Polyurethane
Service Bulletin	SB 2027

* 50' on spool with 10' hanging



DIMENSIONS INCHES							
A	B	C	D	E	F	G	H
20.5"	11"	9 1/2"	4"	20.25"	21.5"	5.5"	6.75"