

Hose Reels Extended Volume (EV)

**Air & Water
Anti-freeze
Oil
Grease
Diesel
DEF**

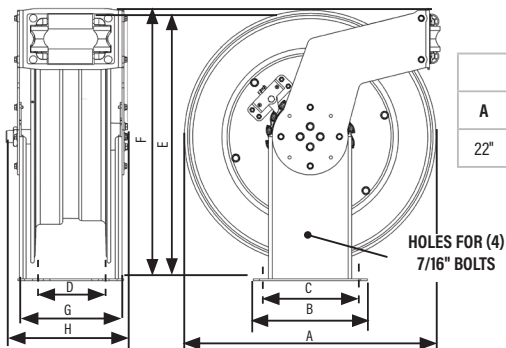


2

The Extended Volume, EV Series hose reels are designed for high volume heavy-duty applications where large hose diameters are required for increased flow. The EV reels will accommodate up to 50' of 3/4" ID hose or 65' of 1/2" ID hose. Perfect for heavy-duty fleet, construction, mining and industrial applications. **All EV series reels include hose, hose stop and a 2.5' connecting hose.**

MODELS AVAILABLE	DESCRIPTION	REPLACEMENT HOSE
Air & Water Low Pressure 300 psi (21 bar) for delivery of air, water and anti-freeze		
2310-033	Bare reel - up to 65' x 1/2" or 50' x 3/4"	-
2310-027	65' x 1/2" ID hose	8141-065
2310-028	50' x 3/4" ID hose	8161-050
Oil Medium Pressure for delivery of lubricants		
2310-033	Bare reel - up to 65' x 1/2" or 50' x 3/4"	-
2310-031	50' x 3/4" ID hose 1,950 psi (135 bar)	8264-050
2310-029	65' x 1/2" ID hose 2,750 psi (190 bar)	8250-065
Grease High pressure 5,000 psi (345 bar) for delivery of grease		
2310-046	65' x 3/8" ID hose	8332-065
Diesel Low Pressure 50 psi (3 bar) for delivery of diesel		
2310-033	Bare reel - up to 65' x 1/2" or 50' x 3/4"	-
2310-032	50' x 3/4" ID hose	8466-050
Diesel Exhaust Fluid Low Pressure 150 psi (10 bar) for delivery of diesel exhaust fluid		
2400-010	Bare reel - up to 65' x 1/2" or 50' x 3/4"	-
2400-011	50' x 3/4" ID hose	8569-050

TECHNICAL DATA	
Diesel, Low & Medium Pressure Reels	
Fluid inlet port	3/4" NPT(F) swivel
Fluid outlet port	3/4" NPT(F) swivel
Hose outlet thread	1/2" NPT(M) for 1/2" ID Hoses
	3/4" NPT(M) for 3/4" ID Hoses
Wetted Materials	Nickel plated steel and Buna-N
Service Bulletin	SB 2028
Low Pressure DEF Reels	
Fluid inlet port	3/4" BSPP(F) swivel
Fluid outlet port	3/4" BSPP(F) swivel
Hose outlet thread	3/4" BSPP (M) for 3/4" ID Hoses
Wetted Materials	Stainless Steel, Polypropylene, & Viton®
Service Bulletin	SB 2028
High Pressure Reels	
Fluid inlet port	3/8" NPT(F) swivel
Fluid outlet port	3/8" NPT(F) swivel
Hose outlet thread	3/8" NPT(M)
Wetted Materials	Nickel Plated Steel, Hardened steel and Polyurethane
Service Bulletin	SB 2028



DIMENSIONS INCHES							
A	B	C	D	E	F	G	H
22"	8.62"	5"	5.12"	22"	23.5"	9"	9.25"

