

Balcrank[®]

OIL BAR DISPENSER

Model: 4200-014



Shipped with one spigot

Thoroughly read and understand this manual before installing, operating or servicing this equipment.

**OPERATION, INSTALLATION,
MAINTENANCE AND REPAIR GUIDE**

General Safety

Thoroughly read and understand this manual before installing, operating or servicing the described products.



IMPORTANT

Because this oil bar dispenser can be incorporated into a pressurized systems, the following safety precautions should be observed.

Check equipment regularly and repair or replace worn and damaged parts.

Never alter or modify any parts of this oil bar dispenser, doing so may cause damage to oil bar dispenser and/or personal injury.

Under no circumstances should the dispensing valve be aimed at any person at any time. Personal injury may result.

Release pressures built up in the system before any service or repair is begun. See the pressure relief procedure below.

Do not operate this oil bar dispenser above 1000 PSI (68.9 bar) outlet pressure.

Always read and follow the fluid manufacturer's recommendations regarding the use of protective eyewear, clothing and respirators.



WARNING

Pressure Relief Procedure:

Follow this procedure whenever you shut off the pump, when checking or servicing any part of the system and when installing, cleaning or changing any part of the system.

- 1) Disconnect the air to the pump.
- 2) Point dispensing valve away from yourself and others.
- 3) Open dispensing valve until pressure is relieved.



WARNING

DANGER: Not for use with fluids that have a flash point below 100°F (38°C). Examples: gasoline, alcohol. Sparking could result in an explosion which could result in death.



WARNING

Do not place your hand or fingers under the dispensing nozzle and/or aim the nozzle at a person at any time. Personal injury may result.



WARNING

Maximum working pressure:
1000 PSI (68.9 bar)

Product Description

Balcrank's Oil Bar Dispenser provides neat and convenient point-of-use dispensing for hand carried containers and is easily incorporated into any fluid inventory control system. This unit features one Deluxe Spigot with anti-splash, anti-drip diffuser nozzle. There are three expansion holes for installing more spigots as needed.

Technical Data

Max. Working Pressure 1000 psi (68.9 bar)
Spigot Inlet 1/2" NPTF
Wetted Parts (Spigot) Steel, Aluminum and Buna-N

Installation

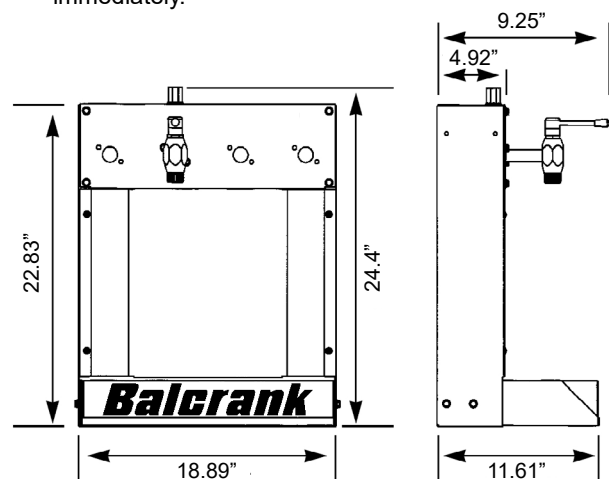
1. Fix body A to the wall by using screws (not supplied). (See figure 1).
2. Use the M6 screws supplied to assemble the head plate (B) followed by the drip tray (C). Finally place the back splash cover (D) by using the lag screws. (See figure 2).
3. Once assembled, connect the corresponding hoses (See figure 3). Use Loctite Blue #242 to seal all spigot unions (teflon tape/pipe dope will not work).

Available Parts

Item	Part Number	Description
1	833073	Replacement Screen
2	4200-012	Additional Spigot

Operation

1. The lubricants will be delivered when the spigot handle has been pulled downward toward spigot nozzle.
2. When required amount of fluid has been dispensed, release the handle to stop delivery.
3. Automatic anti-drip nozzle assembly will stop flow immediately.



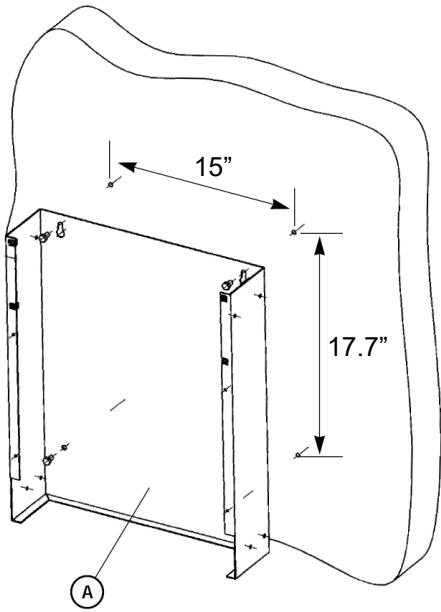


Figure 1

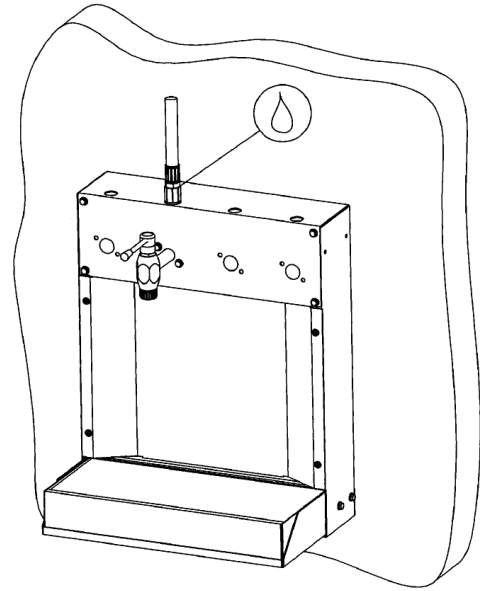


Figure 3

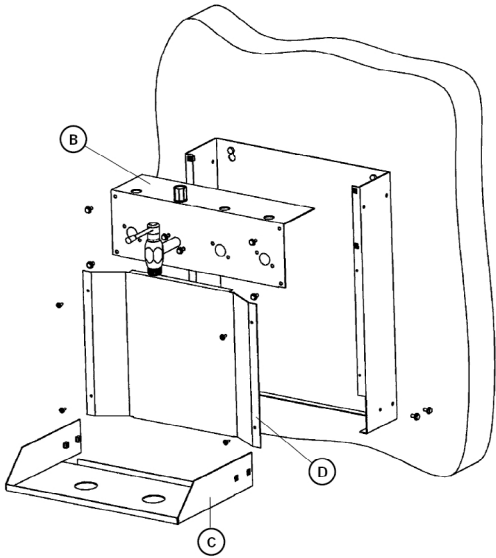
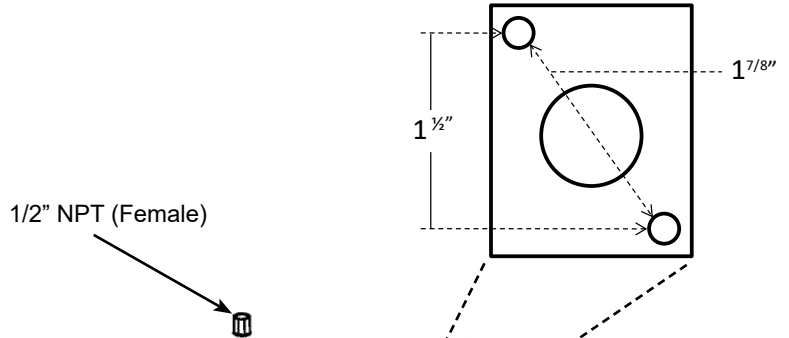
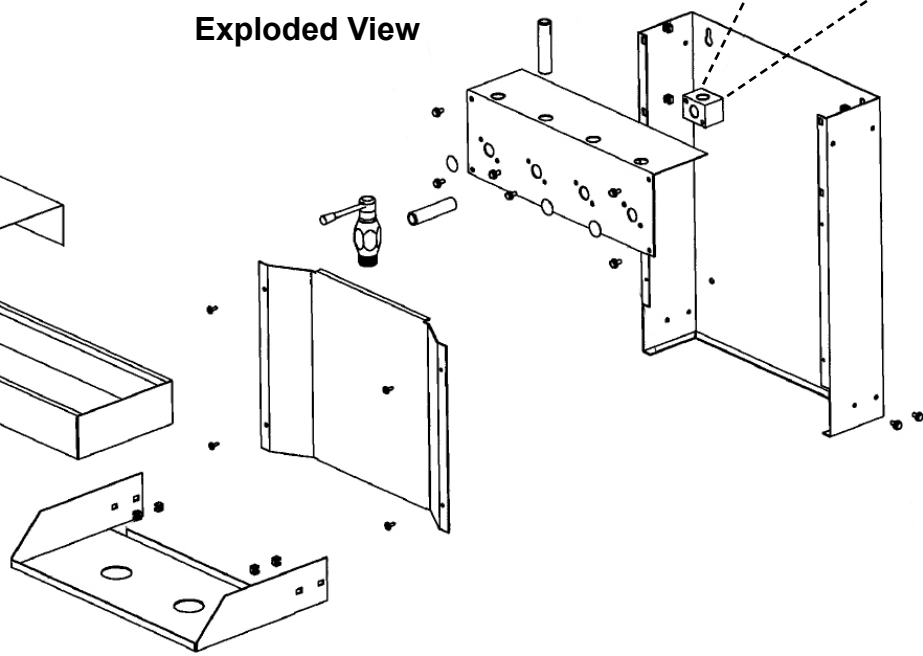
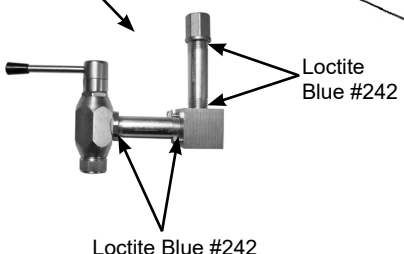
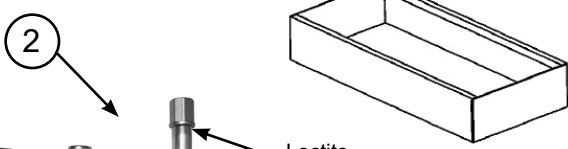
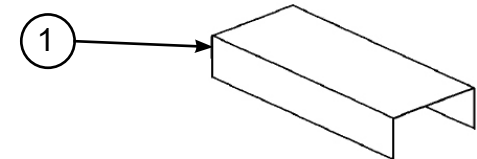


Figure 2

	NOTE
<p>Always use two (2) wrenches to connect the inlet hose/piping.</p> <p>If the seal is broken at the Oil Bar inlet or spigot, disassemble the connector and pipe and reseal them with Loctite Blue #242 or equivalent. Teflon tape/pipe dope will <i>not</i> work!</p>	



Exploded View



Loctite Blue #242

**For Warranty Information Visit:
www.balcrank.com**

Balcrank® Corporation
Weaverville, NC 28787
800-747-5300
800-763-0840 Fax
www.balcrank.com

SERVICE BULLETIN SB4038
Rev. D 4/17

Revision Log:

Rev. A. - Release
Rev B. - Added note to use Loctite Blue #242 on page 3
Rev C. - Added part number for replacement screen
Rev D. - Added instructions for use of Loctite #242 on
pages 2 & 3