

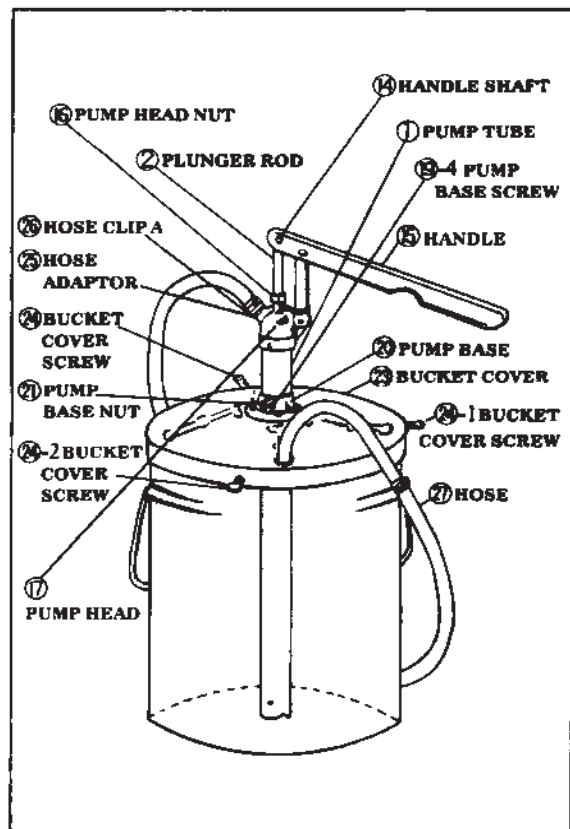
# LEVER TYPE

## OIL BUCKET PUMP

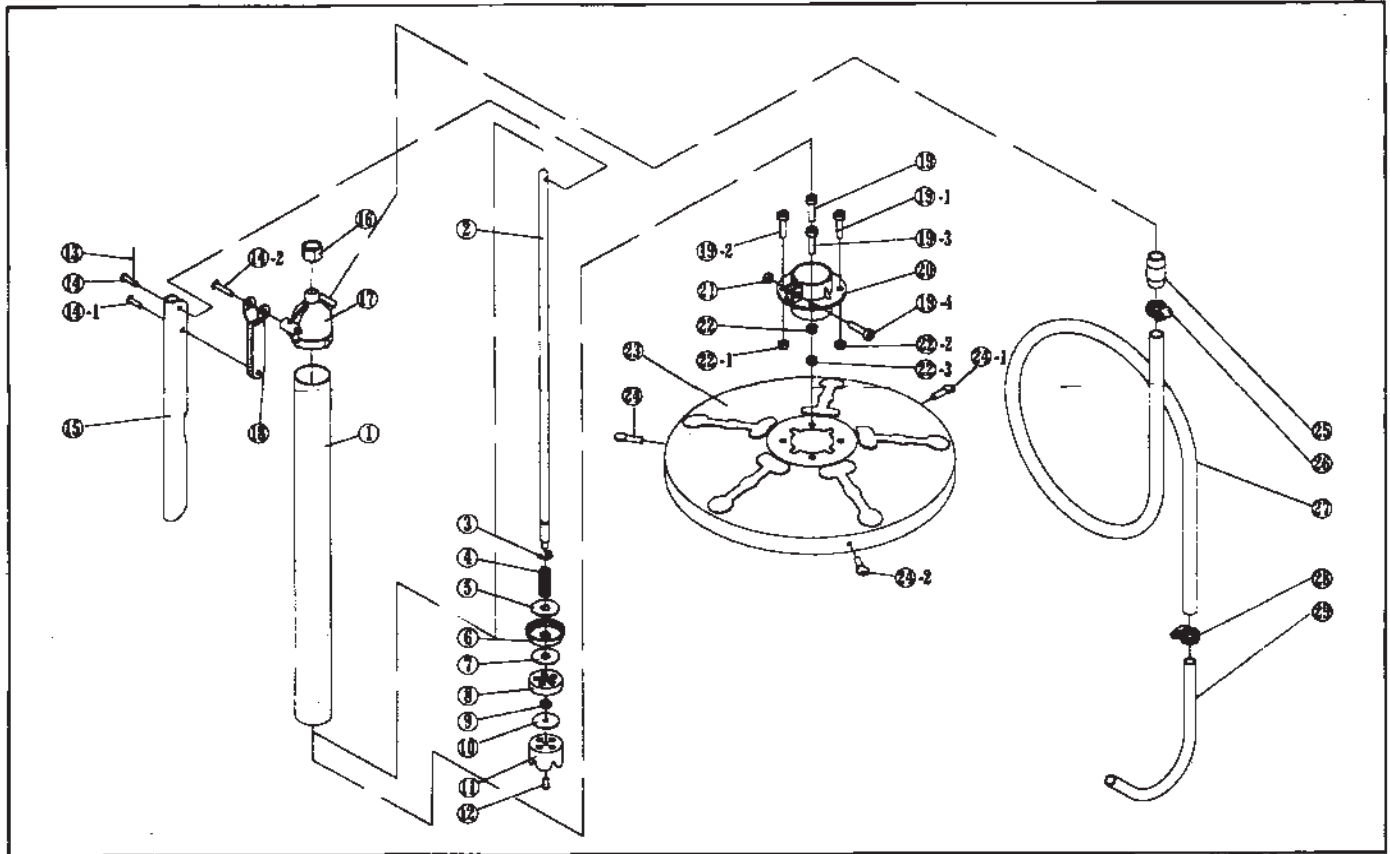
- Quality manually-operated pumps provide fast, clean refilling differentials, gear cases and final drives.
- Perfect for delivering transmission fluid and heavier fluids.
- Fits 25 – 50 lb. original refinery and 12" I.D.(300mm) clamp-on-carry bucket.
- Cast aluminum alloy pump outlet body provide durability and longevity.
- Large replaceable swivel casters provide ease of maneuverability.
- Baked oven painting finished cover helps prevent rust and corrosion.
- Smooth easy pumping action dispenses all types of gear lubricants even in the coldest weather.
- Include \* PUMP X 1 \* BUCKET COVER X 1  
\* 48" DELIVERY HOSE X 1 \* ANGLED SPOUT X 1  
\* OUTLET EXTENSION X 1 \* COVER SCREW X 3  
\* HANDLE RIVET X 1 \* RIVET PIN X 1
- Pail is not include.
- Each set in individual box, 4 sets / CTN / 2.6'  
N.W.: 9.24KGS G.W.: 11.00KGS

### MANUAL OF INSTRUCTIONS

1. Loosen ①⑥ PUMP HEAD NUT, adjust the length of ② PLUNGER ROD to assemble ⑤ HANDLE with ④ HANDLE SHAFT and ③ HANDLE SHAFT PIN, then tighten ①⑥ PUMP HEAD NUT properly.
2. Screw ⑤ HOSE ADAPTOR into the OUTLET of ①⑦ PUMP HEAD tightly, put ⑥ HOSE CLIP A into ⑦ HOSE, assemble ⑦ HOSE end into ⑤ HOSE ADAPTOR thoroughly, then tighten ⑥ HOSE CLIP A properly.
3. Assemble PUMP UNIT into ②⑩ PUMP BASE, then put whole PUMP UNIT onto the GREASE BUCKET.
4. Adjust ① PUMP TUBE to the bottom of BUCKET.
5. Screw ②③-1 ②③-2 BUCKET COVER SCREW into ③ BUCKET COVER, then tighten ②⑩ PUMP BASE with ④-4 PUMP BASE SCREW and ①① PUMP BASE NUT properly.
6. To prime the pump:  
Stroke ⑤ HANDLE several times to escape the air packet for get smooth prime operation.



# PARTS LIST



## OIL BUCKET PUMP

PART NO	DESCRIPTION	QTY	PART NO	DESCRIPTION	QTY
1	PUMP TUBE	1	19	PUMP BASE SCREW	1
2	PLUNGER ROD	1	19-1	PUMP BASE SCREW	1
3	ROD C CLIP	1	19-2	PUMP BASE SCREW	1
4	PLUNGER SPRING	1	19-3	PUMP BASE SCREW	1
5	PLUNGER WASHER A	1	19-4	PUMP BASE SCREW	1
6	PLUNGER	1	20	PUMP BASE	1
7	PLUNGER WASHER B	1	21	PUMP BASE NUT	1
8	PLUNGER HOLDER	1	22	PUMP BASE NUT	1
9	PLUNGER NUT	1	22-1	PUMP BASE NUT	1
10	BOTTOM CAP WASHER	1	22-2	PUMP BASE NUT	1
11	BOTTOM CAP	1	22-3	PUMP BASE NUT	1
12	BOTTOM CAP RIVET	1	23	BUCKET COVER	1
13	HANDLE SHAFT PIN	1	24	BUCKET COVER SCREW	1
14	HANDLE SHAFT	1	24-1	BUCKET COVER SCREW	1
14-1	HANDLE RIVET	1	24-2	BUCKET COVER SCREW	1
14-2	HANDLE RIVET	1	25	HOSE ADAPTOR	1
15	HANDLE	1	26	HOSE CLIP A	1
16	PUMP HEAD NUT	1	27	HOSE	1
17	PUMP HEAD	1	28	HOSE CLIP B	1
18	JOINTER	1	29	SPOUT	1