



---

Pit Boss - Rolling Pit Drain

---

Model 4140-011 ..... Pit Boss - with 1" Cam-Lock Kit  
Model 4140-020 ..... Pit Boss - Bare



Model 4140-020 shown

Thoroughly read and understand this manual before installing, operating or servicing this equipment.

---

**OPERATION, INSTALLATION,  
MAINTENANCE AND REPAIR GUIDE**

## General Safety

Thoroughly read and understand this manual before installing, operating or servicing the described products.



### IMPORTANT

Check equipment regularly and repair or replace worn and damaged parts.

Never alter or modify any parts of this drain, doing so may cause damage to drain and/or personal injury.



### WARNING

To reduce the risk of the pit drain falling off of the pit tracks, which could cause serious injury to someone near the pit drain, NEVER extend the wheel supports further than the maximum extension (see dimensional drawing).



### WARNING

Do not step on the pit drain.

## General Description

Model 4140-011 Pit Boss Rolling pit drain has a capacity of 34 gallons. It easily rolls on guide tracks in the user's pit. Features include metal catch screen, anti-splash baffles, side splash guards, ball valve, 1" cam-lock kit, and front and rear drain ports. The 3 inch diameter wheels are mounted to accommodate a pit track width from 36" to 50". The wheels are also adjustable 2" up or down. A handy tool shelf is provided below the tank for pit service tools.

## Installation

Assemble the four wheels (8) to the four wheel supports (10) if necessary. Install the assembled wheel supports in the support guides. Extend the wheel supports equally on both sides of the drain pan to fit the pit tracks. DO NOT extend the wheel supports further than the maximum extension. Tighten the support bolts (1) securely.

Attach the pipe nipple (16), ball valve (13), and cam-lock nipple (14) to one of the drain ports. Make sure the pipe plug (7) is installed tightly in the other drain port. Use thread sealant of choice to prevent leaks.

## Operating Instructions

To evacuate oil from the pit drain, connect the evacuation hose to the cam-lock adapter and open ball valve. Be sure to close the ball valve before using the pit drain again.

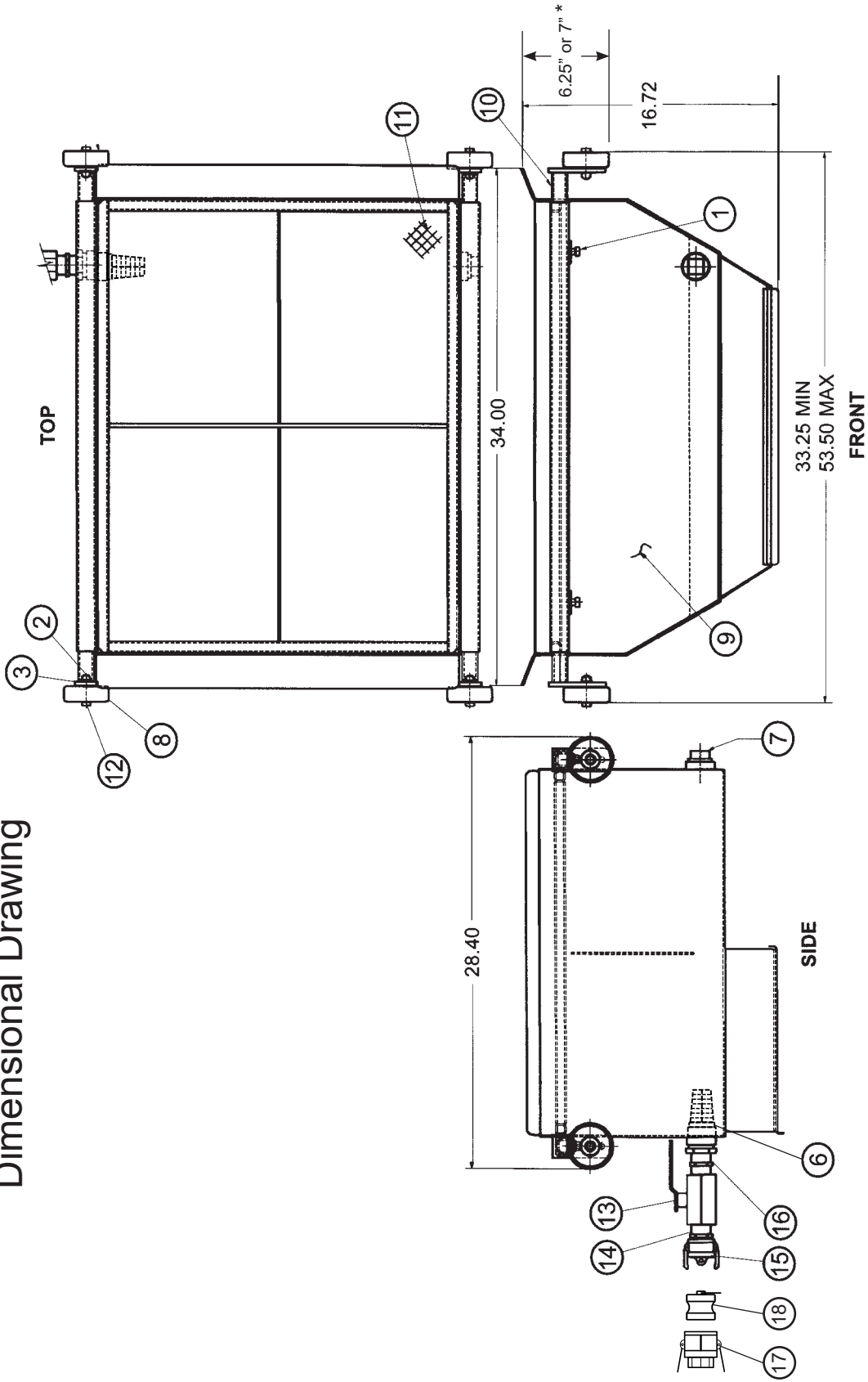
## Optional Accessories for Pit Boss Rolling Pit Drain

**4140-012 Connector Hose:** 2' x 1" connector hose with cam-lock coupler on both ends. Used to connect two rolling pit drains for evacuation from one side.

**4140-013 Evacuation Hose:** 2' x 1" evacuation hose with cam-lock coupler on one end and 1" NPT male fitting on the other end. Used to attach pit drain to evacuation manifold.

**4140-014 Tandem Pit Drain Kit:** Consists of 4140-012 connector hose, ball valve, pipe nipple, cam-lock nipple, and cam-lock dust cover. Used to connect two tandem Pit Bosses in a common pit for flow through evacuation. See diagram on the next page.

# Dimensional Drawing



\* Dependant on which mount hole is used when wheel is installed.

## PARTS LIST

Item	Part #	Description	4140-011	4140-020	Item	Part #	Description	4140-011	4140-020
			Qty	Qty				Qty	Qty
1	805795	Bolt	4	4	10	828218	Wheel Support	4	4
2	805939	Hex Nut	4	4	11	828228	Screen Assy.	1	1
3	813903	Lock Washer	4	4	12	828324	Bolt	4	4
4	-	No longer used	-	-	13	828370	Ball Valve	1	0
5	821422	Pipe Nipple*	0	0	14	828373	Cam-Lock Nipple	1	0
6	831705	Strainer	1	1	15	828374	Cam-Lock Dust Cover	1	0
7	820207	Pipe Plug	1	2	16	3270-045	Hex Nipple	1	0
8	828212	Wheel	4	4	17	4140-017	Cam-Lock Coupler	1	0
9	828214	Tank Weldment	1	1	18	4140-053	Cam-Lock Dust Plug	1	0

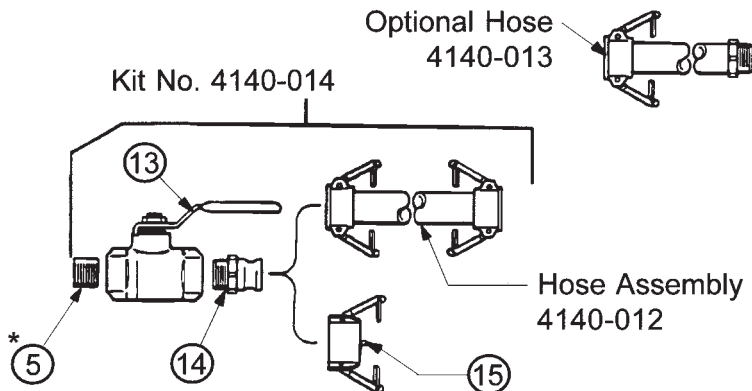
\*Included in kit 4140-014 only

## OUTLET COUPLER/NIPPLE OPTIONS

QUICK COUPLER OPTION		ADAPTER FITTING NEEDED	
Description	Model		Model
3/4" Dry Break Nipple	4140-023	+	3270-096
1" Dry Break Nipple	4140-051	+	3270-045
3/4" Dry Break Coupler	4140-016	+	3270-096
1" Dry Break Coupler	4140-015	+	3270-045
3/4" Cam-lock Nipple	4140-045	+	3270-054
1" Cam-lock Nipple	4140-018	+	-
3/4" Cam-lock Coupler	4140-044	+	3270-096
1" Cam-lock Coupler	4140-017	+	3270-045
Description	Model	ADAPTER FITTING(S) NEEDED	
3/4" Dry Break kit*	4140-049		Model
	if using coupler	+	3270-096
	if using nipple	+	3270-096
1" Dry Break kit*	4140-048		Model
	if using coupler	+	3270-045
	if using nipple	+	3270-045
3/4" Cam-lock kit*	4140-047		Model
	if using coupler	+	3270-096
	if using nipple	+	3270-054
1" Cam-lock kit*	4140-021		Model
	if using coupler	+	3270-045
	if using nipple	+	

\* When choosing a kit, the adapters needed will depend on whether you choose the nipple or coupler to attach to the drain outlet. See the coupler kit Item list on next page for items included in kits.

# Optional Accessories Diagram



## COUPLER KIT ITEM LIST

Kit Model	Included in kit	Description	Qty
4140-049	4140-016	Coupler, Dry Break	1
	4140-023	Nipple, Dry Break	1

Kit Model	Included in kit	Description	Qty
4140-048	4140-050	Coupler, Dry Break	1
	4140-051	Nipple, Dry Break	1

Kit Model	Included in kit	Description	Qty
4140-047	3230-007	Valve, Ball, Fluid 3/4"	1
	4140-045	Cam-lock Nipple 3/4"	1
	4140-046	Cam-lock Cap 3/4"	1
	4140-044	Cam-lock Coupler 3/4"	1
	4140-052	Cam-lock, Dust Plug 3/4"	1

Kit Model	Included in kit	Description	Qty
4140-021	3230-008	Valve, Ball, Fluid 1"	1
	4140-018	Cam-lock Nipple 1"	1
	4140-019	Cam-lock Cap 1"	1
	4140-017	Cam-lock Coupler 1"	1
	4140-053	Cam-lock, Dust Plug 1"	1

**For Warranty Information Visit:  
[www.balcrank.com](http://www.balcrank.com)**

**Balcrank® Corporation**  
Weaverville, NC 28787  
800-747-5300  
800-763-0840 Fax  
[www.balcrank.com](http://www.balcrank.com)

Service Bulletin SB4018  
Rev. E 03/14

Revision Log:

- Rev. D - Added dimension for bottom of wheel to top of drain
- Rev. E - Modified description of models and optional accessories to match current bill of materials. Added tables for optional nipples, couplers & kits