



Balcrank

Dispensing Solutions

Automotive | Commercial | Industrial



Dispensing Solutions

Fluid dispense and transfer require the right equipment to maximize flow rate and organize your shop. Balcrank manufactures a variety of fluid dispense handles ranging in flow rates up to 18 GPM in both metered and non-metered versions. Also, preset handles allow our customers to enter the desired dispense amount and then automatically shut off to stop the dispense at a desired pre-set volume.

Hose reels organize your shop to keep it safe from tripping obstacles and make it easy to dispense your fluids. Different hose reel sizes can accommodate small to large shops requiring high volume dispensing or evacuation. We manufacture reels in low, medium, and high pressure for Air/Water, Oil, and Grease plus various other fluids and applications with hose sizes from 1/4" to 2 1/2".

Hose Reels Product Selection Matrix

MAX. HOSE	CONSTRUCTION	RECOMMENDED MARKETS	RECOMMENDED APPLICATIONS	MOUNTING
ECONOMY AIR/WATER				
50' x 3/8"	All steel spool and Pedestal	Small to medium dealerships Tire shops Transmission shops	Air/Water - low pressure	Ceiling, wall, cabinet
EVOLUTION				
50' x 1/2"	Composite spool Steel pedestal Dual ball-bearings	Grease Small to medium dealerships Tire shops Transmission shops	Air/Water - high pressure, hot water Oil - medium pressure Grease - high pressure Enclosed models	Ceiling, floor, wall, truck, tank
CLASSIC				
50' x 1/2" 30' x 3/4"	All steel spool and Pedestal	Grease Auto dealerships Tire shops Transmission Shops	Air/Water - low pressure Diesel - low pressure Oil - medium pressure DEF - medium pressure Grease - high pressure Enclosed models	Ceiling, floor, wall, tank
PREMIUM				
60' x 1/2"	All steel spool and Pedestal Double arm Dual ball-bearings	Truck shops Municipalities Railroad Mining Lube trucks	Air/Water - low pressure Oil - medium pressure Grease - high pressure	Ceiling, floor, wall, truck, tank
EXTENDED VOLUME (EV)				
50' x 3/4" 65' x 3/8" 65' x 1/2"	All steel spool and Pedestal Heavy duty High capacity Double arm Dual ball-bearings	Truck shops Municipalities Railroad Mining Lube trucks	Air/Water - low pressure DEF - low pressure Diesel - low pressure Oil - medium pressure Grease - high pressure	Ceiling, floor, wall, truck, tank
EXTENDED VOLUME EXTRA (EVX)				
50' x 1" 75' x 3/4" 100' x 1/2"	All steel spool and Pedestal Heavy duty High capacity Double arm Dual ball-bearings	Truck shops Municipalities Railroad Mining Lube trucks	Air/Water - low pressure Diesel - low pressure Evacuation - low pressure Oil - medium pressure	Floor, truck, tank
EXTENDED VOLUME+ (EVX+)				
50' x 1 1/2"	All steel spool and Pedestal Heavy duty High capacity Double arm Dual ball-bearings Dual spring	Truck shops Municipalities Railroad Mining Lube trucks	Air/Water - low pressure Diesel - low pressure Oil - medium pressure	Floor, truck, tank



ECONOMY AIR/WATER EVOLUTION CLASSIC PREMIUM EXTENDED VOLUME (EV) EXTENDED VOLUME EXTRA (EVX) EXTENDED VOLUME + (EVX+)

Hose Reels Economy Air/Water Reel



Air & Water

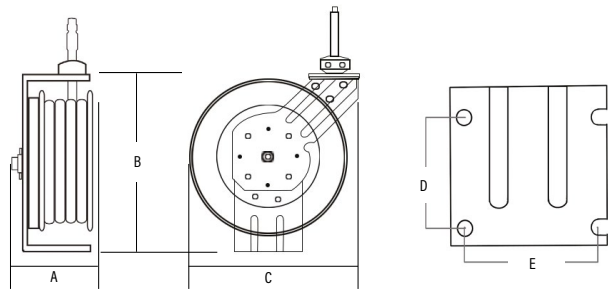
Steel "ECONOMY" Hose Reel: quality and value in a sturdy design

- Easy to install - light weight, compact design, will fit in small spaces.
- Five-position outlet arm - for use with ceiling, wall, cabinet mount.
- Proven design - excess spring torque assures reliable hose return
- Built to last - thick wall fluid swivel and hub; stamped steel rims, arms, and base
- Air hose, made from durable nylon exterior. Ball stop and 3' connection hose included.
- Powder coat black finish - better corrosion resistance

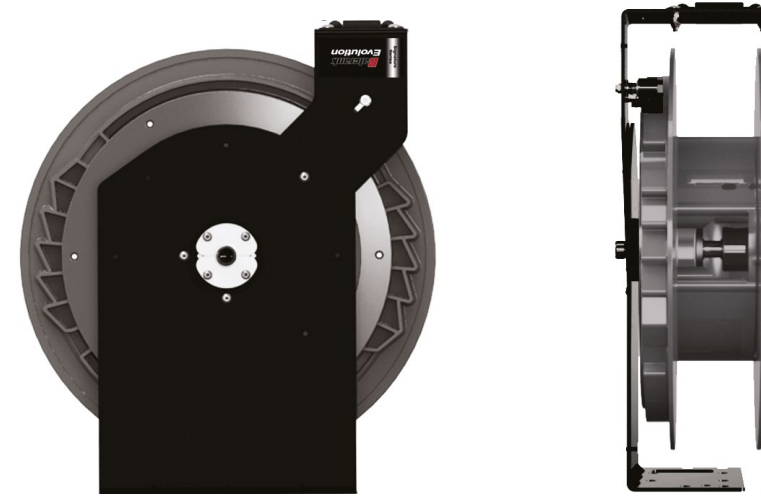
MODELS AVAILABLE	DESCRIPTION
	Air & Water 300 psi (21 bar) for delivery
2130-002	50' x 3/8"

TECHNICAL DATA	
Low Pressure Reel	
Fluid inlet port	1/2" NPT(F)
Fluid outlet port	1/4" NPT(F)
Hose outlet thread	1/4" NPT(M)
Max pressure	300 psi (21 bar)
Wetted Parts	Approved for use with air & water

DIMENSIONS INCHES				
A	B	C	D	E
6.7"	18.70"	18"	4"	5"



Hose Reels Evolution



Air & Water Anti-freeze Oil Grease

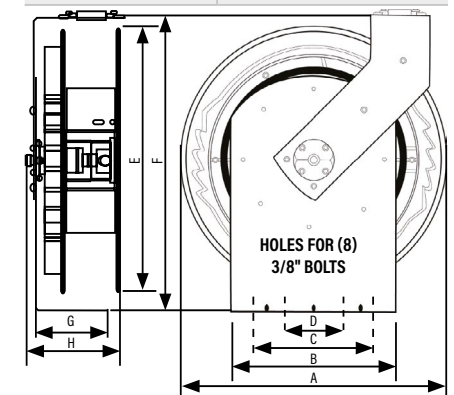
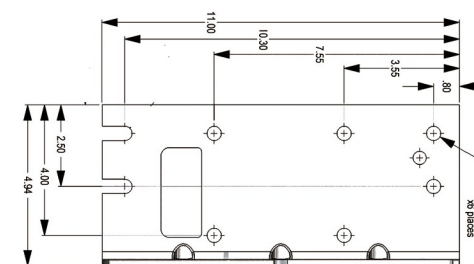
Evolution Hose Reel: an Evolution in Design and Performance

Lightweight but extremely rugged: steel pedestal and arm and dual ball-bearings. The Evolution is a solid performer. The Evolution combines design, performance and reliability with the right features and benefits for today's customers.

All Evolution series reels have a narrow and lightweight design; includes hose, hose stop and a 2.5' connecting hose.

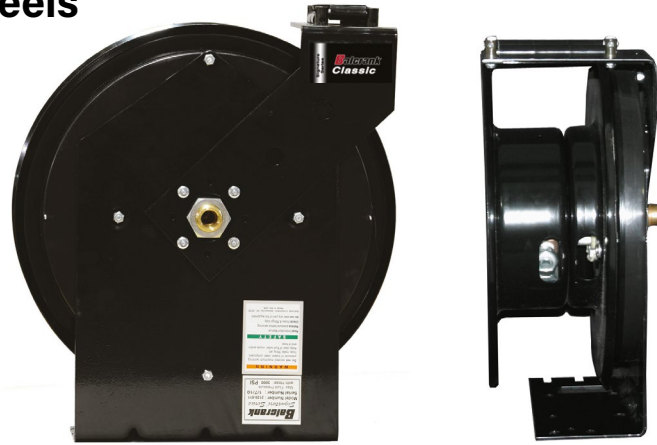
MODELS AVAILABLE	DESCRIPTION	REPLACEMENT HOSE
Air & water low pressure 300 psi (21 bar) for delivery of air, water, windshield wash fluid, and anti-freeze		
2140-021	Bare reel - up to 50' Hose	
2140-007	30' x 3/8" ID hose	8136-030
2140-008	50' x 3/8" ID hose	8136-050
2140-010	30' x 1/2" ID hose	8141-030
2140-011	50' x 1/2" ID hose	8141-050
Oil medium pressure 2,750 psi (190 bar) for delivery of lubricants		
2140-002	Bare reel - up to 50' Hose	
2140-013	30' x 1/2" ID hose	8241-030
2140-014	50' x 1/2" ID hose	8241-050
Grease high pressure 5,000 psi (345 bar) for delivery of grease		
2140-005	Bare reel - up to 50' Hose	
2140-019	30' x 3/8" ID hose	8332-030
2140-020	50' x 3/8" ID hose	8332-050
Water high pressure 2,400 psi (165 bar) for delivery of hot water		
2140-003	Bare reel - up to 50' Hose	

TECHNICAL DATA	
Low & medium pressure reels	
Fluid inlet port	1/2" NPT(F) swivel
Fluid outlet port	1/2" NPT(F) swivel
Hose outlet thread	1/4" NPT(M) for 3/8" ID Hoses
	1/2" NPT(M) for 1/2" ID Hoses
Wetted materials	Low Pressure - brass, Acetal & Buna-N Medium pressure - Steel (plated) & Buna-N
High Pressure Reels	
Fluid inlet port	3/8" NPT(F) swivel
Fluid outlet port	3/8" NPT(F) swivel
Hose outlet thread	1/4" NPT(M) for 3/8" ID Hoses
Wetted materials	Nickel Plated Steel, Hardened steel and Polyurethane, Stainless Steel, Viton [®]
Service bulletin	SB 2025



DIMENSIONS INCHES							
A	B	C	D	E	F	G	H
18"	11"	9.5"	4"	18"	20"	5"	6.5"

**Hose Reels
Classic**



**Air & Water
Anti-freeze
Windshield wash
Oil
Grease
Diesel**

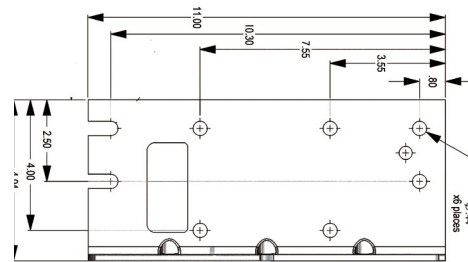
The Classic Hose Reel has been the standard of reliability for over a decade. This solid, all steel hose reel is preferred for general duty, automotive dealerships, and service garages. Proven performance and reliable operation.

All Classic series reels include hose, hose stop and a 2.5' connecting hose.

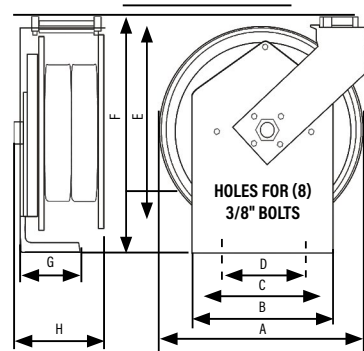
STANDARD color	Special color 2-week lead-time						Custom color 6-week lead time
Semi-gloss Black	Wt	Gr	Bl	Rd	Silver	Yl	based on specifications supplied by the customer
-	-002	-003	-004	-005	-006	-007	

MODELS AVAILABLE	DESCRIPTION	REPLACEMENT HOSE
Air & Water Low Pressure 300 psi (21 bar) for delivery of air, water, anti-freeze and windshield wash***		
2120-016	Bare reel - up to 30' Hose	-
2120-017	Bare reel - up to 50' Hose	-
2120-014	30' x 3/8" ID hose	8136-030
2120-005	40' x 3/8" ID hose	8136-040
2120-015	50' x 3/8" ID hose	8136-050
2120-021*	30' x 3/8" ID hose. No arm	8141-030
2120-020	50' x 1/2" ID hose	8141-050
2120-025	30' x 3/8" ID hose-Nitrogen	8135-030
2120-026	50' x 3/8" ID hose-Nitrogen	8135-050
Oil medium pressure 2,750 psi (190 bar) for delivery of lubricants		
2120-016	Bare reel - up to 30' Hose	-
2120-017	Bare reel - up to 50' Hose	-
2120-011	30' x 1/2" ID hose	8241-030
2120-012	40' x 1/2" ID hose	8241-040
2120-013	50' x 1/2" ID hose	8241-050
2120-022*	16' x 1/2" ID hose. No arm	8241-016
Grease High pressure 5,000 psi (345 bar) for delivery of grease.		
2120-018	Bare reel - up to 30' Hose	-
2120-019	Bare reel - up to 50' Hose	-
2120-003	30' x 3/8" ID hose	-
2120-004	40' x 3/8" ID hose	8331-040
2120-007	50' x 3/8" ID hose	8331-050
2120-001	30' x 1/4" ID hose	8321-030
2120-002	40' x 1/4" ID hose	8321-040
2120-006	50' x 1/4" ID hose	8321-050

* Classic reel less outlet arm for workbench mounting



TECHNICAL DATA	
Low & Medium Pressure Reels	
Fluid inlet port	1/2" NPT(F) swivel
Fluid outlet port	1/2" NPT(F) swivel
Hose outlet thread	1/4" NPT(M) for 3/8" ID Hoses
	1/2" NPT(M) for 1/2" ID Hoses
Wetted materials	Plated steel, Brass, bronze and Buna-N
High Pressure Reels	
Fluid inlet port	3/8" NPT(F) swivel
Fluid outlet port	3/8" NPT(F) swivel
Hose outlet thread	1/4" NPT(M) for 1/4" ID Hoses
	1/4" NPT(M) for 3/8" ID Hoses
Wetted materials	Plated steel, hardened steel and Buna-N
Service Bulletin	SB 2002 SB 2002-A (No arm reels)



DIMENSIONS INCHES							
A	B	C	D	E	F	G	H
16"	11"	9.5"	4"	16"	20"	5"	6-8"

**Hose Reels
Premium**



**Air & Water
Anti-freeze
Windshield wash
Oil
Grease**

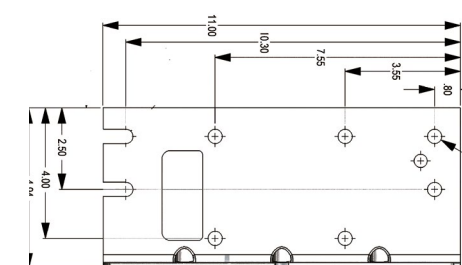
Premium Hose Reel for the toughest shop environments

Today's heavy-duty hose reel market demands an innovative use of components that provide long life, improved serviceability and superior structural design. Our Premium reel incorporates advanced design features that ensures long life in the toughest environments while reducing overall weight.

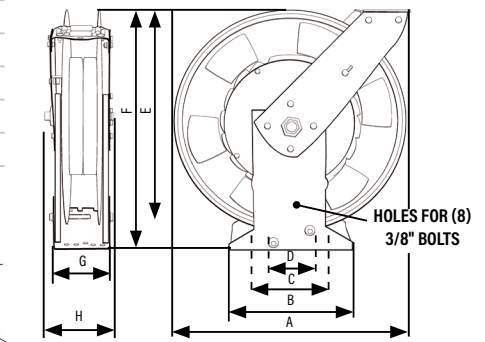
All Premium series reels have a narrow design; includes hose, hose stop and a 2.5' connecting hose.

MODELS AVAILABLE	DESCRIPTION	REPLACEMENT HOSE
Air & Water Low Pressure 300 psi (21 bar) for delivery of air, water, anti-freeze and windshield wash**		
2111-048	Bare reel - up to 50' Hose	-
2111-049	Bare reel - up to 60' Hose	-
2111-031	30' x 3/8" ID hose	8136-030
2111-032	40' x 3/8" ID hose	8136-040
2111-033	50' x 3/8" ID hose	8136-050
2111-034	60' x 3/8" ID hose (50' + 10')*	8136-060
2111-035	40' x 1/2" ID hose	8141-040
2111-036	50' x 1/2" ID hose	8141-050
2111-037	60' x 1/2" ID hose (50' + 10')*	8141-060
Oil Medium Pressure 2,750 psi (190 bar) for delivery of lubricants		
2111-027	Bare reel - up to 50' Hose	-
2111-028	Bare reel - up to 60' Hose	-
2111-038	30' x 1/2" ID hose	8241-030
2111-039	40' x 1/2" ID hose	8241-040
2111-040	50' x 1/2" ID hose	8241-050
2111-041	60' x 1/2" ID hose (50' + 10')*	8241-060
Grease High-pressure 5,000 psi (345 bar) for delivery of grease.		
2111-029	Bare reel - up to 50' Hose	-
2111-030	Bare reel - up to 60' Hose	-
2111-045	40' x 3/8" ID hose	8332-040
2111-046	50' x 3/8" ID hose	8332-050
2111-047	60' x 3/8" ID hose (50' + 10')*	8332-060
2111-042	40' x 1/4" ID hose	8323-040
2111-043	50' x 1/4" ID hose	8323-050
2111-044	60' x 1/4" ID hose (50' + 10')*	8323-060

* 50' on spool with 10' hanging



TECHNICAL DATA	
Low & Medium Pressure Reels	
Fluid inlet port	1/2" NPT(F) swivel
Fluid outlet port	1/2" NPT(F) swivel
Hose outlet thread	1/2" NPT(M) for 3/8" ID Hoses
	1/2" NPT(M) for 1/2" ID Hoses
Wetted Materials	Low pressure - Brass, Acetal & Buna-N Med. pressure - Steel (plated) & Buna-N
High Pressure Reels	
Fluid inlet port	3/8" NPT(F) swivel
Fluid outlet port	3/8" NPT(F) swivel
Hose outlet thread	1/4" NPT(M) for 1/4" ID Hoses
	1/4" NPT(M) for 3/8" ID Hoses
Wetted Materials	Nickel plated steel, hardened steel and Polyethylene
Wetted Materials	Hardened steel and Polyurethane
Service Bulletin	SB 2027



DIMENSIONS INCHES							
A	B	C	D	E	F	G	H
20.5"	11"	9 1/2"	4"	20.25"	21.5"	5.5"	6.75"

**Hose Reels
Extended Volume (EV)**

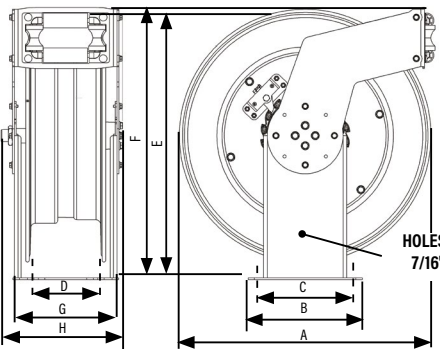
**Air & Water
Anti-freeze
Oil
Grease
Diesel
DEF**

The Extended Volume, EV Series hose reels are designed for high volume heavy-duty applications where large hose diameters are required for increased flow. The EV reels will accommodate up to 50' of 3/4" ID hose or 65' of 1/2" ID hose. Perfect for heavy-duty fleet, construction, mining and industrial applications. All EV series reels include hose, hose stop and a 2.5' connecting hose.

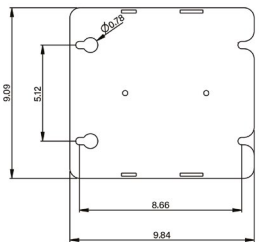


MODELS AVAILABLE	DESCRIPTION	REPLACEMENT HOSE
Air & Water Low Pressure 300 psi (21 bar) for delivery of air, water and anti-freeze		
2310-033	Bare reel - up to 65' x 1/2" or 50' x 3/4"	-
2310-027	65' x 1/2" ID hose	8141-065
2310-028	50' x 3/4" ID hose	8161-050
Oil Medium Pressure for delivery of lubricants		
2310-033	Bare reel - up to 65' x 1/2" or 50' x 3/4"	-
2310-031	50' x 3/4" ID hose 1,950 psi (135 bar)	8264-050
2310-029	65' x 1/2" ID hose 2,750 psi (190 bar)	8250-065
Grease High pressure 5,000 psi (345 bar) for delivery of grease		
2310-046	65' x 3/8" ID hose	8332-065
Diesel Low Pressure 50 psi (3 bar) for delivery of diesel		
2310-033	Bare reel - up to 65' x 1/2" or 50' x 3/4"	-
2310-032	50' x 3/4" ID hose	8466-050
Diesel Exhaust Fluid Low Pressure 150 psi (10 bar) for delivery of diesel exhaust fluid		
2400-010	Bare reel - up to 65' x 1/2" or 50' x 3/4"	-
2400-011	50' x 3/4" ID hose	8569-050

TECHNICAL DATA	
Diesel, Low & Medium Pressure Reels	
Fluid inlet port	3/4" NPT(F) swivel
Fluid outlet port	3/4" NPT(F) swivel
Hose outlet thread	1/2" NPT(M) for 1/2" ID Hoses
	3/4" NPT(M) for 3/4" ID Hoses
Wetted Materials	Nickel plated steel and Buna-N
Service Bulletin	SB 2028
Low Pressure DEF Reels	
Fluid inlet port	3/4" BSPP(F) swivel
Fluid outlet port	3/4" BSPP(F) swivel
Hose outlet thread	3/4" BSPP (M) for 3/4" ID Hoses
Wetted Materials	Stainless Steel, Polypropylene, & Viton [®]
Service Bulletin	SB 2028
High Pressure Reels	
Fluid inlet port	3/8" NPT(F) swivel
Fluid outlet port	3/8" NPT(F) swivel
Hose outlet thread	3/8" NPT(M)
Wetted Materials	Nickel Plated Steel, Hardened steel and Polyurethane
Service Bulletin	SB 2028



DIMENSIONS INCHES							
A	B	C	D	E	F	G	H
22"	8.62"	5"	5.12"	22"	23.5"	9"	9.25"



**Hose Reels
Extended Volume Extra (EVX)**

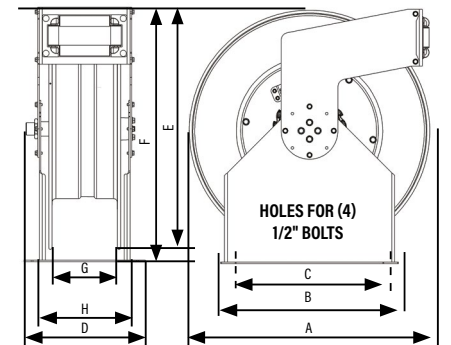
**Air & Water
Anti-freeze
Oil
Diesel
Evacuation**

The Extended Volume, EVX Series hose reels are designed for high volume heavy-duty applications where large hose diameters are required for increased flow. The EVX reels will accommodate up to 50' of 1" ID hose or 100' of 1/2" ID hose. Perfect for heavy-duty fleet, construction, mining and industrial applications. All EVX series reels include hose, hose stop and a 2.5' connecting hose.

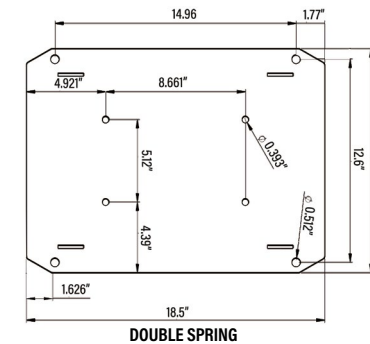
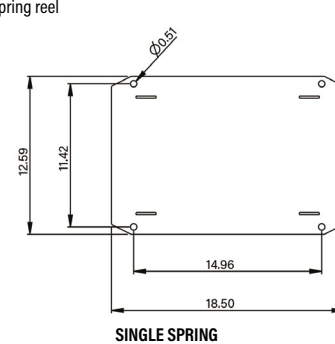


MODELS AVAILABLE	DESCRIPTION	REPLACEMENT HOSE
Air & Water Low Pressure 300 psi (21 bar) for delivery of air, water and anti-freeze		
2310-034	Bare reel, 50' x 1" ID hose or 75' x 1/2" ID hose	-
2310-035**	Bare reel, 75' x 3/4" ID hose or 100' x 1/2" ID hose	-
2310-036**	75' x 1/2" ID hose	8141-075
2310-037**	100' x 1/2" ID hose	8141-100
2310-038**	75' x 3/4" ID hose	8161-075
2310-039	50' x 1" ID hose	8181-050
Oil Medium Pressure 1,525 psi (105 bar) & 2,320 (160 bar) for delivery of lubricants		
2310-035**	Bare reel, 75' x 3/4" ID hose or 100' x 1/2" ID hose	-
2310-045**	50' x 1" ID hose 1,500 psi	8281-050
2310-041**	75' x 3/4" ID hose 1,525 psi	8264-075
2310-040**	100' x 1/2" ID hose 2,320 psi	8250-100
Diesel & Evacuation Low Pressure 50 psi (3 bar) for delivery of diesel fuel and used oil evacuation*		
2310-034	Bare reel, 50' x 1" ID hose or 75' x 1/2" ID hose	-
2310-043	50' x 1" ID hose Diesel	8481-050
2310-042	50' x 1" ID hose Evacuation	8181-050

TECHNICAL DATA	
Low & Medium Pressure Reels	
Fluid inlet port	1" NPT(F) swivel
Fluid outlet port	1" NPT(F) swivel
Hose outlet thread	1/2" NPT(M) for 1/2" ID Hoses
	3/4" NPT(M) for 3/4" ID Hoses
	1" NPT(M) for 1" ID Hoses
Wetted Materials	Nickel plated steel and Buna-N
Service Bulletin	SB 2029



* Verify that system design supports the use of an evacuation reel.
** Double spring reel



SINGLE SPRING DIMENSIONS INCHES							
A	B	C	D	E	F	G	H
25"	18.5"	15"	12.6"	25"	26.5"	7"	11.4"

DOUBLE SPRING DIMENSIONS INCHES							
A	B	C	D	E	F	G	H
25"	18.5"	15"	13.9"	25"	26.5"	8.5"	12.6"

Hose Reels Extended Volume+ (EVX+)



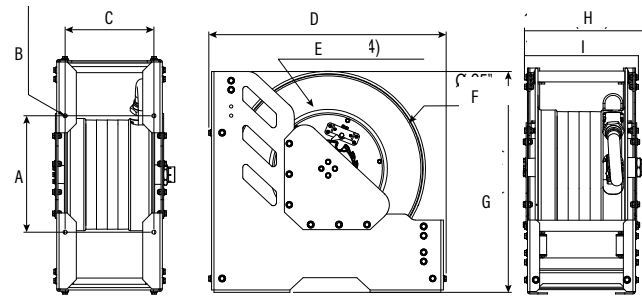
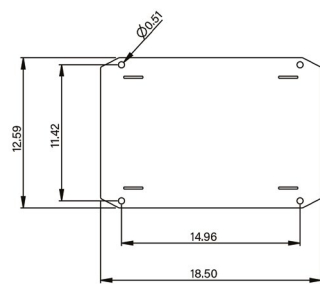
**Air & Water
Anti-freeze
Diesel**

The Extended Volume+, EVX+ Series hose reel is designed for extreme heavy-duty applications where large hose diameters are required for increased flow. The dual spring EVX+ reel will accommodate up to 50' of 1 1/2" ID hose. Perfect for heavy-duty fleet, construction, mining and industrial applications.

Hose not included

MODELS AVAILABLE	DESCRIPTION	REPLACEMENT HOSE
Air, Water, Diesel & Low Pressure Oil Transfer 580 psi (21 bar) for delivery of air, water, diesel & oil transfer		
2310-047	Bare reel - up to 50' x 1 1/2"	-

TECHNICAL DATA	
Diesel, Low Pressure Reels	
Fluid inlet port	1 1/2" NPT(F) swivel
Fluid outlet port	1 1/2" NPT(F) swivel
Hose outlet thread	1 1/2" NPT(M) for 1 1/2" ID Hoses
Wetted Materials	Steel, nickel plated steel, Nitrile rubber, nickel plated aluminum
Service Bulletin	SB 2038



DIMENSIONS INCHES								
A	B	C	D	E	F	G	H	I
15"	0.5"	11.43"	30.5"	14.37"	25"	28.25"	15.5"	14.25"

Hose Reels Enclosed Hose Reels

All metal enclosed cabinet hose reels are designed to improve the appearance of any shop. Standard color is black and six special colors are available to match workbenches, and automotive lifts.

**Air & Water
Anti-freeze
Windshield wash
Oil
Grease**

CHOOSE YOUR REEL	
MODELS AVAILABLE	DESCRIPTION
Air & Water Low Pressure 300 psi (21 bar) for delivery of air, water and anti-freeze	
2251-338	30' x 3/8" ID hose
2251-538	50' x 3/8" ID hose
2251-312	30' x 1/2" ID hose
2251-512	50' x 1/2" ID hose
Oil Medium Pressure 3,000 psi (207 bar) for delivery of lubricants	
2252-312	30' x 1/2" ID hose
2252-512	50' x 1/2" ID hose
Grease High-pressure 4,000 (276 bar) for delivery of grease	
2253-314	30' x 1/4" ID hose
2253-538	50' x 3/8" ID hose



Balcrank recommends using mounting channels or framing strut for installation of these enclosures.

- All steel cabinets have high quality, powder coated finish providing corrosion resistance
- Cabinet design provides smooth and easy operation: prevents hose pinch and reduces wear when pulling from any angle
- Simple installation and serviceability
- Cabinet design ties all reels in the bank together to form one complete rigid structure
- Aluminum end panels with removable poly inserts provides fast and easy serviceability

ADD A LIGHT OR ELECTRIC REEL	
MODELS AVAILABLE	DESCRIPTION
2254-518	Light Cord Reel & Bracket 50' x 18 gauge
2254-518D	Dual Light - 2 Light Cord Reels & Bracket - fits 1 single enclosure 50' x 18 gauge
2254-316	Electric Cord Reel & Bracket 30' x 10 amps, 3 outlet



Channels are designed to build a bank of reels

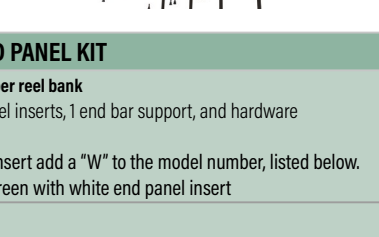
- When mounting directly to an I-Beam, use Mounting Channel I-Beam Bracket Kit #2230-002 to mount channel to a structural I-beam.

CHOOSE YOUR SIDE ENCLOSURE	
Order 1 side enclosure kit per reel	
Side enclosure kits include: 2 side panels, 1 roller outlet assembly, 1 quick mounting plate, and hardware	
MODELS AVAILABLE	DESCRIPTION
2250-011	kit, side enclosure black semi-gloss
2250-012	kit, side enclosure white
2250-013	kit, side enclosure green
2250-014	kit, side enclosure blue
2250-015	kit, side enclosure red
2250-016	kit, side enclosure silver
2250-017	kit, side enclosure yellow



Enclosed hose reels not recommended for wall-mounting

CHOOSE YOUR END PANEL KIT	
Order 1 end panel kit per reel bank	
End panel kits include: 2 end panels, 2 poly end panel inserts, 1 end bar support, and hardware	
End Panel insert standard color is black. To order a white insert add a "W" to the model number, listed below. example - 2250-003W = kit, end panels green with white end panel insert	
MODELS AVAILABLE	DESCRIPTION
2250-001	kit, end panels black semi-gloss
2250-002	kit, end panels white
2250-003	kit, end panels green
2250-004	kit, end panels blue
2250-005	kit, end panels red
2250-006	kit, end panels silver
2250-007	kit, end panels yellow



2230-003	Mounting Channel - 1 Reel
2230-004	Mounting Channel - 2 Reel
2230-005	Mounting Channel - 3 Reel
2230-007	Mounting Channel - 5 Reel
2230-002	Mounting Channel I-Beam Bracket Kit. Use two bracket kits for 2 or 3 reels. Use 3 brackets for 5 or 6 reels.

MODELS AVAILABLE	DESCRIPTION
2250-001	kit, end panels black semi-gloss
2250-002	kit, end panels white
2250-003	kit, end panels green
2250-004	kit, end panels blue
2250-005	kit, end panels red
2250-006	kit, end panels silver
2250-007	kit, end panels yellow



Hose Reels Accessories



Hose reel stands

Heavy duty solid steel stands offer an alternative to ceiling or wall mounting hose reels. All stands include mounting plates, gray finish and drip trays to keep unwanted oil off the floor. Available in 3, 5 and 6 reel models. Designed to fit the Evolution, Classic, and Premium Signature series hose reels.

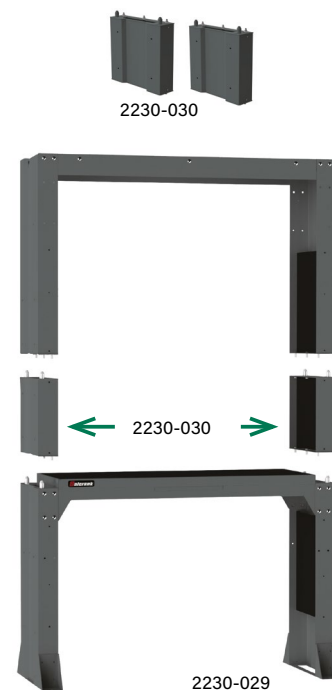
MODELS AVAILABLE	DESCRIPTION
2230-027	3 reel hose stand. Dimensions: 47 x 15.5 x 87.5 inches.
2230-028	5 reel hose stand. Dimensions: 68.9 x 15.75 x 86.6 inches.
2230-029	6 reel hose stand. Dimensions: 78 x 30 x 103 inches.

Hose reel stand options

Accessories are available for use with the six reel stand 2230-029 only. Height extension kits increase the stand height by another 20" and expansion brackets allow for an additional 2-4 reels (2 on each side) to be mounted with a total of 10 possible hose reels. Drip tray keeps unwanted fluids off the floor.

MODELS AVAILABLE	DESCRIPTION
2230-030	Height extension kit Adds 20" additional height. Sold in pairs
2230-031	Expansion bracket Allows 2 additional reels to be mounted on each side of the hose reel stand
2230-035	Drip Tray for use with expansion bracket 2230-031. Purchase one per Expansion bracket

For large quantities check lead times with your Balcrank Representative.



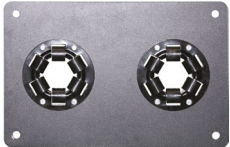







Hose Reels Accessories

MOUNTING CHANNEL COMPONENTS		MOUNTING BRACKET KITS	
Channels are designed to build banks of multiple reels. • If mounting directly to an I-Beam, use Mounting Channel I-Beam Bracket Kit #2230-002 to mount channel to a structural I-beam. • Use Mounting Channel plate #2230-014 to install open reel to the channel.		Specially configured kits are designed to facilitate simple field installation of Balcrank hose reels. NOTE: These kits are not to be used with EV or EVX hose reels	
2230-003	Mounting Channel 1 Reel		2230-026 For use with single EVO, Premium and Classic. Allows the hose reel to be wall mounted to the swivel bracket and pivot horizontally
2230-004	Mounting Channel 2 Reels		
2230-005	Mounting Channel 3 Reels		
2230-007	Mounting Channel 5 Reels		2230-024 Quick Mounting Plate For use with single EVO, Premium and Classic reel. No mounting channel required, mounts directly to unistrut. For I-beam mounting order 2230-013
2230-002	Mounting Channel I-Beam Bracket Kit. Attaches mounting channel to facility I-beam structure. Use two bracket kits for 2, 3, or 4 reels. Use 3 brackets for 5 or 6 reels.		
2230-013	I-Beam Mounting Clamps For use with single EVO, Premium and Classic. Attaches reel directly to structural beams with 4 1/2" to 6 1/2" flange widths or can be used with 2230-024		2230-016 Mounting Adapter Plate Kit For field installation of a Balcrank Signature™ EVO, Premium, or Classic Series Hose Reels onto a previously installed Graco Series 350 mounting plate
2230-014	Mounting Channel Plate for use with open hose reels and a mounting channel. Easy one person installation made easy, plate is bolted to the mounting channel, providing plug & play mount of open reels. Use one per reel NOTE: Not to be used with Enclosed Hose Reels		

Hose Reels Accessories & Supplies

LUBE CONSOLE	LUBE CONSOLE EXTENSION
	
Lube Console 2600-001 Lube Console. Includes Lower Hose Guide 2600-003. Ships with 5 console guides, and 2-3/8" accessory stops	Lube Console Extension 2600-005 Lube Console Extension. Installs next to 2600-001 Lube Console for added capacity. Ships with 2 console guides

ACCESSORIES		
		
LUBE CONSOLE LOWER Hose Guide 2600-003 Lower Hose Guide	LUBE CONSOLE FLOOR Plate Hose Guide 2600-006 Floor Plate Hose Guide	Lube Console Basement/Ceiling Plate 2600-007 Basement /ceiling plate with two hose outlets. Can be used with Lube Console Extension 2600-005

ACCESSORIES		HOSE STOPS
		Purchase hose to fit the correct hose size
Air Chuck	 3340-006 Short Stub Length, Single Chuck Ball Foot Maximum pressure 145 psi (10 bar)	
Tire Inflator	 3340-009 Single Chuck Tire Inflator, Straight on single outlet chuck 3340-010 Double Chuck Tire Inflator, Straight on double outlet chuck Maximum pressure 360 psi (25 bar)	2230-015 Lube Console Hose Guide 2230-009 Hose stop for 1/4" ID Hoses. Fits Classic, Premium and EVO Hose Reels 2230-025 Hose stop for 3/8" ID Hoses. Fits Classic, Premium and EVO Hose Reels
Radiator Water Bibb	 3340-014 Radiator Water Bibb Thumb valve, Rubber spout Maximum pressure 145 psi (10 bar)	2230-010 Hose stop for 1/2" ID Hoses. Fits Classic, Premium, EVO Hose Reels 2230-018 Hose stop for 1/2" ID Hoses. Fits EV and EVX Hose Reels
Coiled Hose	 8137-030 30' x 3/8" Coiled Air Hose for Water Polyurethane 8137-125 25' x 3/8" Coiled Air Hose for Anti-freeze Nylon 300 psi (21 bar)	2230-011 Hose stop for 3/4" ID Hoses. Fits EV and EVX Hose Reels 2230-012 Hose stop for 1" ID Hoses. Fits EVX Hose Reels 2230-039 Hose stop for 1 1/2" Hoses. Fits EVX+ Hose Reel

Hose Reels Light Cord Reels

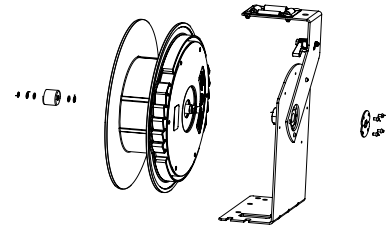


MODELS	DESCRIPTION	CORD LENGTH	GAUGE	INLET CORD	PLUG	AMPS	RECEPTACLE	LAMP	SERVICE BULLETIN
2510-011	Electric Cord Reel-30' x 10 amps, 3 outlet	30' (10 m)	16/3 SJT	-	Grounded	10	3 outlets	-	-
2510-016	Light Cord Reel-50' x 18 gauge	50' (15 m)	18	-	Polarized	-	-	LED- impact resistant	SB 2016
2510-013	Outlet Reel. Duplex, 40'	40' (13 m)	12/3 SJTO	5.5' (1.67 m) 16/3 SJTO	NEMA 5-20P Grounded	20	NEMA 5-20R GFCI Duplex	-	SB 2030
2510-017**	Light Reel, Stubby II/Tap, 50'	50' (15 m)	16/3 SJTO	5.5' (1.67 m) 16/3 SJTO	NEMA 5-15P Grounded	12	NEMA 5-15R Locking	LED- impact resistant	SB 2030

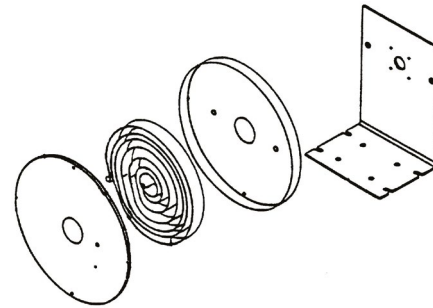
SJTO Cord is rated to 300 volts and has a temperature range of -4 °F to 140 °F and features excellent resistance to oil. Indoor use only - Dry Locations
** Stubby II light with in-line tool tap on retracting cord

Hose Reels Repair Kits

EVO REELS		
REEL MODELS	KIT NUMBER	DESCRIPTION
LOW/MEDIUM PRESSURE		
All LP/MP EVO reels	833029	Swivel seal kit
All EVO reels	833031	Roller outlet
All Enclosed EVO reels	826175	Roller outlet
All EVO reels	833033	Stop Pawl
All 30' & 50' EVO reels	833032	Spool (including Power Spring - up to 50' of hose)
All Enclosed EVO reels	833292	Spool (including Power Spring - up to 50' + 10' of hose)
HIGH PRESSURE		
All HP EVO reels	833030	Swivel
All EVO reels	833031	Roller outlet
All Enclosed EVO reels	826175	Roller outlet
All EVO reels	833033	Stop Pawl
All 30' & 50' EVO reels	833032	Spool (including Power Spring - up to 50' of hose)
All Enclosed EVO reels	833292	Spool (including Power Spring - up to 50' + 10' of hose)

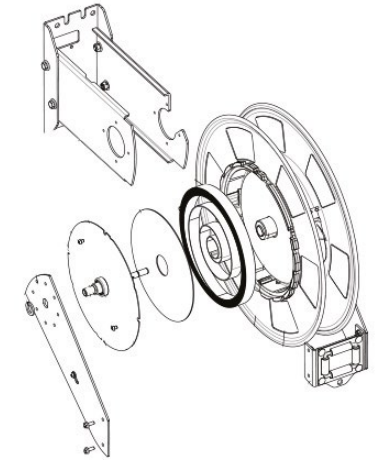


CLASSIC REELS		
REEL MODELS	KIT NUMBER	DESCRIPTION
LOW/MEDIUM PRESSURE		
All LP/MP Classic reels	833314	Swivel with seals
All 30' Classic hose reels	831315	Roller outlet - small arm
All Classic 40' & 50' hose reels; DEF reels, Diesel reel	833313	Roller outlet - large arm
All Enclosed Classic Reels	826175	Roller outlet
All LP/MP Classic reels	833312	Stop Pawl
All 30' Classic hose reels	826728	Power Spring (up to 30' of hose)
All Classic 40' & 50' hose reels; DEF reels, Diesel reel	808966	Power Spring (up to 50' of hose)
HIGH PRESSURE		
All Classic HP reels	809396	Swivel - outlet
All 30' Classic hose reels	831315	Roller outlet - small arm
All Classic 40' & 50' hose reels	833313	Roller outlet - large arm
All Enclosed Classic Reels	826175	Roller outlet
All LP/MP Classic reels	833312	Stop Pawl
All 30' hose reels	826728	Power Spring (up to 30' of hose)
All 40' & 50' hose reels	808966	Power Spring (up to 50' of hose)

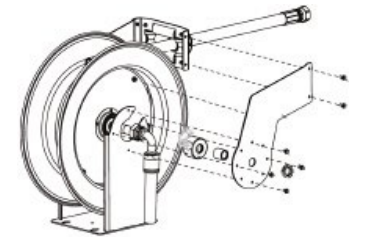


Hose Reels Repair Kits

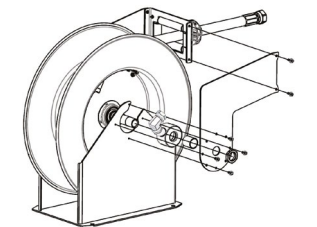
PREMIUM REELS		
REEL MODELS	KIT NUMBER	DESCRIPTION
LOW/MEDIUM PRESSURE		
All Premium Reels prior to Year 2012	826175	Roller outlet
All 30' Premium hose reels prior to Year 2012	826728	Power Spring (up to 30' of hose)
All 40' & 50' Premium hose reels prior to Year 2012	808966	Power Spring (up to 50' of hose)
All LP/MP Premium reels after Year 2012	833029	Swivel seal kit
All Premium reels after Year 2012	833031	Roller outlet
All Premium reels after Year 2012	833147	Stop Pawl
All 30', 40', & 50' Premium hose reels after Year 2012	833145	Power Spring (up to 50' of hose)
All 60' Premium hose reels after Year 2012	833146	Power Spring (up to 50' + 10' of hose)
HIGH PRESSURE		
REEL MODELS	KIT NUMBER	DESCRIPTION
All HP Premium reels prior to Year 2012	809396	Swivel - inlet
All Premium reels prior to Year 2012	826175	Roller outlet
All 30' Premium hose reels prior to Year 2012	826728	Power Spring (up to 30' of hose)
All 40' & 50' Premium hose reels prior to Year 2012	808966	Power Spring (up to 50' of hose)
All HP Premium reels after Year 2012	833030	Swivel
All Premium reels after Year 2012	833031	Roller outlet
All Premium reels after Year 2012	833147	Stop Pawl
All 30', 40', & 50' Premium hose reels after Year 2012	833145	Power Spring (up to 50' of hose)
All 60' Premium hose reels after Year 2012	833146	Power Spring (up to 50' + 10' of hose)



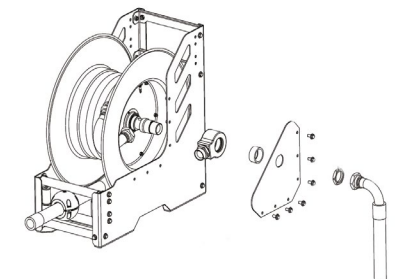
EV REELS		
All EV Reels prior to Year 2009	826175	Roller outlet
All EV reels (except DEF)	833267	Swivel with seals
All EV reels (except DEF)	833266	Seal kit (swivel not included)
All DEF EV reels	833315	Swivel with seals
All DEF EV reels	833316	Seal kit (swivel not included)
All EV reels	833265	Roller outlet
All EV reels	833262	Stop Pawl



EVX REELS		
All EVX reels	833264	Swivel with seals
All EVX reels	833263	Seal kit (swivel not included)
All EVX reels	833261	Roller outlet
All EVX reels	833262	Stop Pawl



EVX+ REEL		
EVX+ reel	833262	Stop Pawl
EVX+ reel	833903	Swivel with seals
EVX+ reel	833904	Swivel complete kit
EVX+ reel	833905	Roller outlet assembly (high capacity spring)





1 2 3 4 5 6 7 8 9 10

Control Handles

CONTROL HANDLES | PRODUCT SELECTION MATRIX 94

NON-METERED 95

DR SERIES METERED 96

MO SERIES METERED 97

MR SERIES METERED 98

MR (PRESET) SERIES METERED 99

HIGH-FLO METERED & NON-METERED 100

WATER BASED FLUIDS METERED & NON-METERED 101

EP SERIES METER 102

METERS 103

OIL DISPENSING EQUIPMENT 105

GREASE HANDLES AND ACCESSORIES 106

ACCESSORIES FOR CONTROL HANDLES 107

REPAIR KITS FOR CONTROL HANDLES 108



Oil Control Handles Product Selection Matrix

UNIT OF MEASURE	FLOW RANGE	MAX. PRESSURE	WEIGHT	RECOMMENDED FLUIDS
NON-METERED				
-	0.26 - 10.5 gal/min (1-40 l/min)	1,450 psi (100 bar)	3.30 lb (1.5 kg)	Oil, transmission fluid, hydraulic fluid, and anti-freeze
DR SERIES METERED				
gallon quart pint liter	0.26 - 8 gal/min (1-30 l/min)	1,450 psi (100 bar)	4 lb (1.80 kg)	Oil, transmission fluid, hydraulic fluid, and anti-freeze
MO SERIES METERED				
quart liter	0.26 - 8 gal/min (1-30 l/min)	1,000 psi (70 bar)	4 lb (1.80 kg)	Oil, transmission fluid, hydraulic fluid, and anti-freeze
MR SERIES METERED				
quart liter	0.26 - 8 gal/min (1-30 l/min)	1,450 psi (100 bar)	3.75 lb (1.7 kg)	Oil, transmission fluid, hydraulic fluid, and anti-freeze
MR SERIES PRESET METERED				
gallon quart liter	0.25 - 8 gal/min (1-30 l/min)	1,450 psi (100 bar)	4.4 lb (2 kg)	Oil, transmission fluid, hydraulic fluid, and anti-freeze
HIGHFLO NON-METERED				
-	0.26 - 24 gal/min (1-90 l/min)	1,450 psi (100 bar)	4.5 lb (2.05 kg)	Oil, transmission fluid, hydraulic fluid, and anti-freeze
HIGHFLO METERED				
gallon quart pint liter	0.52 - 19 gal/min (2-70 l/min)	1,450 psi (100 bar)	6.3 lb (2.85 kg)	Oil, transmission fluid, hydraulic fluid, and anti-freeze
CONTROL HANDLE FOR WATER BASED FLUIDS NON-METERED				
-	8 gal/min (30 l/min)	725 psi (50 bar)	1 lb (0.4 kg)	Anti-freeze, windshield wash solution, and water
CONTROL HANDLE METERED FOR WATER BASED FLUIDS METERED				
gallon quart pint liter	8 gal/min (30 l/min)	725 psi (50 bar)	2.2 lb (1kg)	Anti-freeze, windshield wash solution, and water
ELECTRONIC PRESET METERED				
gallon quart pint liter	0.2 - 8 gal/min (0.8- 30 l/min)	1,425 psi (100 bar)	3.7 lb (1.7 kg)	Oil, transmission fluid, hydraulic fluid, and anti-freeze

3



Control Handles Non-Metered



Features

- Fully ported, ball bearing, inlet swivel included
- Easy access fluid inlet screen included at swivel
- Included swivel hose-end cover, protects vehicle or machine surfaces from scratches
- Easy access for service of the rotary piston mechanism
- Trigger lock button prevents accidental control valve opening and allows the control valve to be locked in open position for large volumes dispense
- Cam & piston valve design optimized for superb control and minimal flow resistance
- Ergonomically designed grip handle for optimum comfort

Fluids

- Synthetic and mineral based lubricants
- Gear Oil
- Hydraulic oil and fluids
- ATF
- Anti-freeze (Glycol) and anti-freeze water solution

Markets Served

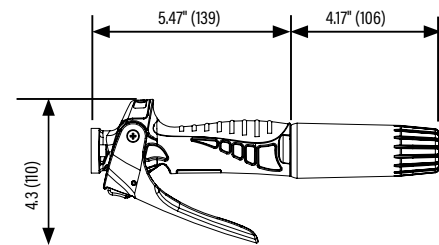
- Car and truck dealers
- Fast lube and maintenance shops
- Fleets
- Mining and construction
- Lube trucks
- Railroad and mass transit

MODELS AVAILABLE	EXTENSION TYPE & NOZZLE	EXTENSION CODE
------------------	-------------------------	----------------

Verify ID of ATF fill port for compatibility.

3320-026	Flex Auto	3332-095
3320-022	Rigid 1/4 turn - OIL	3332-091
3320-023	Flex 90 1/4 turn - OIL	3332-092
3320-024	Flex Memory 1/4 turn - OIL	3332-093
3320-032	Flex Memory 1/4 turn - ATF	3332-104
3320-056	Bare	-

Dimensions inches (mm)



833398 Multi Colored set; red, yellow, green, blue (4 pcs)

Control Handles DR Meter (Digital Register Meter)



Features

- Precision robotically machined aluminum die-cast fluid chamber for repeatable accuracy
- Sealed battery compartment; 2 AAA batteries
- Low power consumption with auto sleep function
- Trip mode function; can operate as a simple fluid management device
- Non-resettable totalizer; maintains total volume of meter since day one
- Ergonomic comfort handle
- Unique 1/4 turn manual tip; fast, simple
- Flanged coupling; prevents leaks commonly found in competitive meters
- Swivel protective cover
- Affordable repairability

Fluids

- Synthetic and mineral based lubricants
- Gear Oil
- Hydraulic oil and fluids
- ATF
- Anti-freeze (Glycol) and anti-freeze water solution

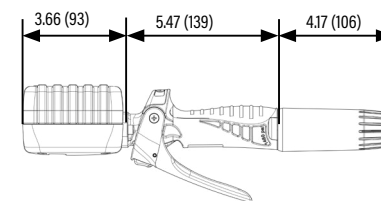
Markets Served

- Car and truck dealers
- Fast lube and maintenance shops
- Fleets
- Mining and construction
- Lube trucks

See Dispense nozzle OD for important details

TECHNICAL DATA	
Units of measure	Batch: Gallons, Quarts, Pints, and Liters (in 0.01 increments)
Accuracy	+/- 0.5% of reading (lubricating oils)
Flow Range	0.26-8 gal/min (1-30 l/min)
Maximum pressure	1,450 psi (100 bar)
Swivel inlet	1/2" NPT(F)
Dispense Nozzle OD	Auto = 0.605" Manual 1/4 turn for OIL = 0.705" Manual 1/4 turn for ATF = 0.315" Verify ID of ATF fill port for compatibility
Operating temperature	14 °F to 140 °F (-10 °C to 60 °C)
Weight	4 lb (1.80 kg)
Battery	2 x 1.5 v alkaline "AAA"
Compatible Fluids	Oil, transmission fluid, hydraulic fluid, and anti-freeze
Wetted Materials	Liquid Crystal Polymer (LCP), aluminum, Buna-N™, zinc plated steel, stainless steel, neodymium, and brass
Service Bulletin	SB 3095

Dimensions inches (mm)



833398 Multi Colored set; red, yellow, green, blue (4 pcs)

MODELS AVAILABLE	EXTENSION TYPE & NOZZLE	EXTENSION CODE
------------------	-------------------------	----------------

Verify ID of ATF fill port for compatibility.

3330-161	Flex Auto	3332-095
3330-157	Rigid 1/4 turn - OIL	3332-091
3330-158	Flex 90 1/4 turn - OIL	3332-092
3330-159	Flex-memory 1/4 turn - OIL	3332-093
3330-169	Rigid 1/4 turn - ATF	3332-101
3330-172	Flex-memory 1/4 turn - ATF	3332-104
3330-166	DR bare	-

Control Handles MO Meter (Mechanical Oval Gear Meter)



Features

- 6-digit totalizer; keeps lifetime record of volume dispensed in gallons
- Meter with odometer display, works without batteries and performs well in all environments
- No calibration required; precision machined metering chamber assures repeatable accuracy
- Ergonomically designed grip handle for optimum comfort
- Unique 1/4 turn manual non-drip tip; fast, simple
- Included swivel hose-end cover, protects vehicle or machine surfaces from scratches

Fluids

- Synthetic and mineral based lubricants
- Gear Oil
- Hydraulic oil and fluids
- ATF
- Anti-freeze (Glycol) and anti-freeze water solution

Markets Served

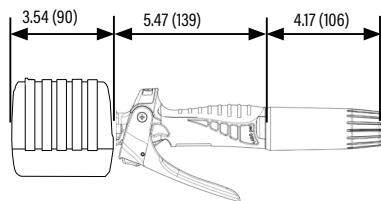
- Car and truck dealers
- Fast lube and maintenance shops
- Fleets
- Mining and construction
- Lube trucks

MODELS AVAILABLE	EXTENSION TYPE & NOZZLE	EXTENSION CODE U/M	
Verify ID of ATF fill port for compatibility.			
3330-205	Flex-memory 1/4 turn - OIL	3332-093	QT
3330-206	Flex-memory 1/4 turn - ATF	3332-104	QT
3330-207	Rigid 1/4 turn - OIL	3332-091	QT
3330-208	Flex 90 1/4 turn - OIL	3332-092	QT
3330-212	Flex-memory 1/4 turn - OIL	3332-093	L
3330-213	Flex 90 1/4 turn - ATF	3332-104	L
3330-214	Rigid 1/4 turn - OIL	3332-091	L
3330-215	Flex-memory 1/4 turn - OIL	3332-092	L
3330-204	Bare	-	QT
3330-211	Bare	-	L

See Dispense nozzle OD for important details

TECHNICAL DATA	
Units of measure	Quarts & Liters (totalizer Gallons)
Accuracy	+/- 1%
Flow Rate	0.25 - 8 gal/min (1 - 30 l/min)
Maximum pressure	1,000 psi (70 bar)
Swivel inlet	1/2" NPT(F)
Dispense Nozzle OD	Auto = 0.605" Manual 1/4 turn for OIL = 0.705" Manual 1/4 turn for ATF = 0.315" Verify ID of ATF fill port for compatibility
Operating temperature	14 °F to 140 °F (-10 °C to 60 °C)
Weight	4 lb (1.80 kg)
Compatible Fluids	Oil, transmission fluid, hydraulic fluid, and anti-freeze
Wetted Materials	Acetal, aluminum, stainless steel, NBR, Zinc plated steel, TPU, Polyamide
Service Bulletin	SB 3113

Dimensions inches (mm)



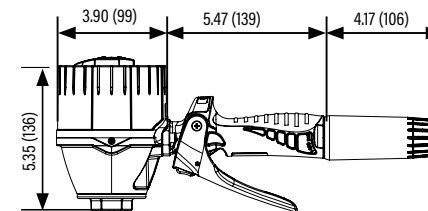
Control Handles MR Meter (Mechanical Registry Meter)



See Dispense nozzle OD for important details

TECHNICAL DATA	
Units of measure	Gallons and Liters (in 0.01 increments)
Accuracy	+/- 0.65%
Flow Rate	0.26 - 8 gal/min (1 - 30 l/min)
Maximum pressure	1,450 psi (100 bar)
Swivel Inlet	1/2" NPT(F) Swivel
Dispense Nozzle OD	Auto = 0.605" Manual 1/4 turn for OIL = 0.705" Manual 1/4 turn for ATF = 0.315" Verify ID of ATF fill port for compatibility
Operating Temperature	14 °F to 140 °F (-10 °C - 60 °C)
Weight	3.75 lb (1.7 kg)
Compatible Fluids	Oil, transmission fluid, hydraulic fluid, and anti-freeze
Wetted Materials	Aluminum, stainless steel, zinc alloy, Buna-N™, zinc plated steel and brass
Service Bulletin	SB 3096

Dimensions inches (mm)



Features

- 1 piece molded pointer knob is resistant to impacts
- No calibration required; precision machined metering chamber assures repeatable accuracy
- Viscosity and temperature change does not effect accuracy
- 33% improved performance over competitive mechanical meters
- 5-digit totalizer; keeps lifetime record of volume dispensed
- Easy access filter in swivel at meter inlet
- Swivel protective cover
- Unique 1/4 turn manual tip; fast, simple
- Flanged coupling; prevents leaks commonly found in competitive meters
- Ergonomic comfort handle

Fluids

- Synthetic and mineral based lubricants
- Gear Oil
- Hydraulic oil and fluids
- ATF
- Anti-freeze (Glycol)

Markets Served

- Car and truck dealers
- Fast lube and maintenance shops
- Fleets
- Mining and construction
- Lube trucks
- Railroad and mass transit

MODELS AVAILABLE	EXTENSION TYPE & NOZZLE	EXTENSION CODE U/M	
Verify ID of ATF fill port for compatibility.			
3330-189	Rigid 1/4 turn-OIL	3332-091	Qt
3330-192	Flex Memory 1/4 turn-OIL	3332-093	Qt
3330-196	Flex Memory 1/4 turn-ATF, Anti-freeze	3332-104	Qt
3330-177	Rigid 1/4 turn-OIL	3332-091	L
3330-180	Flex Memory 1/4 turn-OIL	3332-093	L
3330-184	Flex Memory 1/4 turn-ATF, Anti-freeze	3332-104	L
3330-202	MR Bare	-	L
3330-203	MR Bare	-	Qt

Control Handles MR Meter (Mechanical Preset Meter)



Features

- MR style meter with preset function.
- Preset mode dispensing allows hands-off operation as the meter automatically shuts off once the preset volume is delivered
- Meter with analogue dial display, works without batteries and performs well in all environment. Includes inlet swivel and rigid outlet with non-drip nozzle
- 1 piece molded pointer knob is resistant to impacts
- No calibration required; precision machined metering chamber assures repeatable accuracy
- Viscosity and temperature change does not effect accuracy
- 33% improved performance over competitive mechanical meters
- 5-digit totalizer; keeps lifetime record of volume dispensed
- Easy access filter in swivel at meter inlet
- Swivel protective cover
- Flanged coupling; prevents leaks commonly found in competitive meters
- Ergonomic comfort handle

Fluids

- Synthetic and mineral based lubricants
- Gear Oil
- Hydraulic oil and fluids
- ATF
- Anti-freeze (Glycol) and anti-freeze water solution

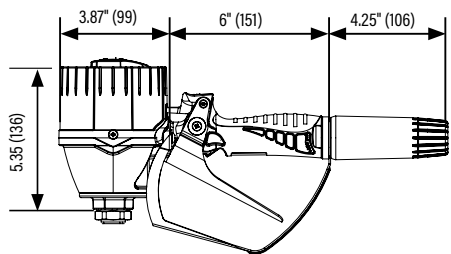
Markets Served

- Car and truck dealers
- Fast lube and maintenance shops
- Fleets
- Mining and construction
- Lube trucks
- Railroad and mass transit

MODELS AVAILABLE	EXTENSION TYPE & NOZZLE	U/M DIAL U/M TOTALIZER
3331-024	Rigid straight Semi-auto tip	0-60 Liters
3331-023	Rigid straight Semi-auto tip	0-60 Quarts
3331-025	Rigid straight Semi-auto tip	0-60 Gallons

TECHNICAL DATA	
Units of measure	Gallons, Quarts, and Liters
Accuracy	+/- 0.65%
Flow Rate	0.25 - 8 gal/min (1 - 30 l/min)
Maximum pressure	1,450 psi (100 bar)
Swivel inlet	1/2" NPT(F)
Operating temperature	-49 °F to 158 °F (-45 °C to 70 °C)
Weight	4.4 lb (2 kg)
Compatible Fluids	Oil, transmission fluid, hydraulic fluid, and anti-freeze
Wetted Materials	Zinc alloy, aluminum, Buna-N™, stainless steel, brass, steel, TPU and polyamide
Service Bulletin	SB 3106

Dimensions inches (mm)



Control Handles HighFlo



Features

- HighFlo Control Handle is designed for service where higher volume deliveries are required
- High volume rigid or flexible outlets with non-drip tip
- 3/4" or 1" NPT inlet connection thread
- Ideal for bulk fill, transfer and high flow dispense
- Heavy duty rugged design

Fluids

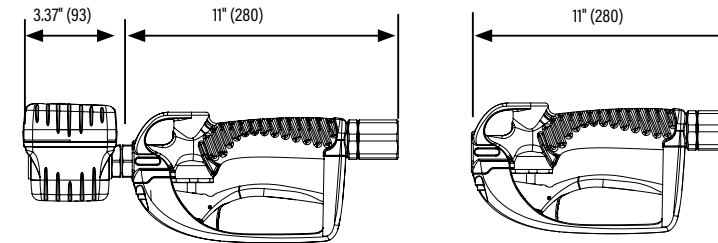
- Synthetic and mineral based lubricants
- Gear Oil
- Hydraulic oil and fluids
- ATF
- Anti-freeze (Glycol)

Markets Served

- Truck dealers
- Fleets
- Mining and construction
- Lube trucks
- Railroad and mass transit

TECHNICAL DATA		
	NON-METERED	METERED
Units of measure	-	Batch: Liters, quarts, pints, gallons
Accuracy	-	+/-0.5% of reading
Flow Range	0.26-24 gal/min (1-90 l/min)	0.52-19 gal/min (2-70 l/min)
Maximum pressure	1,450 psi (100 bar)	
Swivel inlet:	3/4" or 1" NPT(F)	
Operating Temperature	14 to 140 °F (-10 to 60 °C)	
Weight	4.5 lb (2.05 kg)	6.3 lb (2.85 kg)
Compatible Fluids	Oil, transmission fluid, hydraulic fluid, and anti-freeze	
Wetted Materials	Aluminum, Buna-N™, zinc plated steel and brass	Acetal, aluminum, stainless steel, Buna-N™, zinc plated steel and brass
Service Bulletin	SB 3097	SB 3097 + SB 3098

Dimensions inches (mm)



MODELS AVAILABLE	DESCRIPTION
3330-197	Rigid - Metered 3/4" NPT(F) Inlet
3330-198	Flex - Metered 3/4" NPT(F) Inlet
3330-199	Rigid - Metered 1" NPT(F) Inlet
3330-200	Flex - Metered 1" NPT(F) Inlet
3320-051	Rigid - Non-Metered 3/4" NPT(F) Inlet
3320-052	Flex - Non-Metered 3/4" NPT(F) Inlet
3320-053	Rigid - Non-Metered 1" NPT(F) Inlet
3320-054	Flex - Non-Metered 1" NPT(F) Inlet

Control Handles Water based fluids



Features

- Reinforced polyamide body and stainless steel valve mechanism
- Ergonomic-grip
- Includes brass inlet swivel 1/2" NPT(F), flex-90 extension and a 1/4 turn manual tip

Fluids

- Anti-freeze (Glycol)
- Windshield wash solution
- Water

Markets Served

- Car and truck dealers
- Fast lube and maintenance shops
- Fleets

MODELS AVAILABLE	EXTENSION TYPE & NOZZLE	EXTENSION CODE
3320-055	Flex 90 1/4 turn - oil	3332-102
3330-201	Metered - Flex 90 1/4 turn - oil	3332-102

	TECHNICAL DATA	
	NON METERED	METERED
Units of measure	-	Batch: Quarts, Pints, Gallons and Liters (in 0.01 increments)
Accuracy	-	+/- 0.5% of reading (lubricating oils)
Flow Rate	8 gal/min (30 l/min)	
Maximum pressure	725 psi (50 bar)	
Swivel Inlet	1/2" NPT(F)	
Dispense Nozzle OD	Manual 1/4 turn for OIL = 0.705"	
Operating Temperature	122 °F (50 °C)	
Weight	1 lb (0.4 kg)	2.2 lb (1 kg)
Compatible Fluids	Anti-freeze, windshield wash solution, and water	
Wetted Materials	Fiberglass reinforced thermoplastic, polyurethane rubber, and brass	Fiberglass reinforced thermoplastic, polyurethane rubber, Viton®, brass, and stainless steel
Service Bulletin	SB 3105	

Control Handles EP Meter (Electronic Preset Meter)



Features

Preset dispensing allows hands-free operation as the meter automatically shuts off once the desired preset amount is reached.

- Programmable for quarts, pints, gallons, liters
- Save up to 10 preset values in built-in memory
- Operates in manual or automatic preset mode
- Transaction memory: stores time, date and volume delivered of the last 5 transactions
- Low battery indicator

Fluids

- Synthetic and mineral based lubricants
- Gear oil
- Hydraulic fluids
- ATF

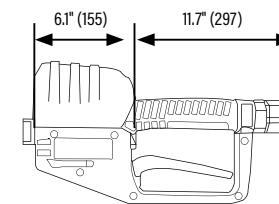
Markets Served

- Auto and truck dealerships
- Truck fast lube and maintenance shops
- Fleets
- Mining and construction
- Railroad and mass transit

TECHNICAL DATA	
Units of measure	Quarts, pints, gallons, liters
Accuracy	+/- 0.5 %
Flow Range	0.25-7.5 gal/m (1-30 l/m)
Maximum pressure	1,425 psi (100 bar)
Swivel Inlet	1/2" NPT(F)
Battery	4 x alkaline "AA"
Weight	3.7 lb (1.7 kg)
Compatible Fluids	Oil, transmission fluid, hydraulic fluid, anti-freeze and gear oil
Wetted Materials	Aluminum, AISI316 stainless steel, Buna-N; Delrin, brass, zinc plated steel
Service Bulletin	SB 3115

*Patent pending

Dimensions inches (mm)



MODELS AVAILABLE	EXTENSION TYPE & NOZZLE	EXTENSION CODE
3331-031	Rigid 1/4 turn - OIL	3332-091
3331-032	Flex 90 1/4 turn - OIL	3332-092
3331-033	DR bare	-

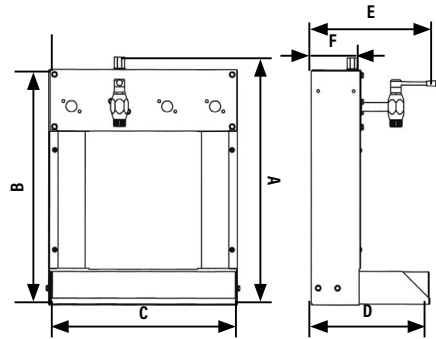
Accessories & Supplies Meters

DR METER							
MODEL	MATERIAL	INLET/OUTLET THREADS	UNITS OF MEASURE	MAX PRESSURE	COMPATIBLE FLUIDS	SB	
 3120-091 DIGITAL METER	Aluminum	1/2" NPT(F)	Liters, Gallons, Quarts, and pints	1450 psi (100 bar)	Oil, glycol, and coolant solutions	SB 3095	
 3120-013 PULSE METER	CPVC	1/2" NPT(F)	Liters, Gallons, Quarts, and pints	1450 psi (100 bar)	Glycol, windshield wash solutions and DEF	SB 3107	
MO METER							
MODEL	MATERIAL	INLET/OUTLET THREADS	UNITS OF MEASURE	MAX PRESSURE	COMPATIBLE FLUIDS	SB	
 3330-209	Aluminum	1/2" NPT(F)	Liter	1,000 psi (70 bar)	Oil, glycol, and coolant solutions	SB 3113	
3330-210	Aluminum	1/2" NPT(F)	Quarts	1,000 psi (70 bar)	Oil, glycol, and coolant solutions	SB 3113	
DR METER HIGHFLO							
MODEL	MATERIAL	INLET/OUTLET THREADS	UNITS OF MEASURE	MAX PRESSURE	COMPATIBLE FLUIDS	SB	
 3120-120 DIGITAL METER	Aluminum	3/4" NPT(F)	Liters, Gallons, Quarts, and pints	1450 psi (100 bar)	Oil, glycol and coolant solutions	SB 3098	
 3120-014 PULSE METER	Aluminum	3/4" NPT(F)	Liters, Gallons, Quarts, and pints	1450 psi (100 bar)	Oil, glycol and coolant solutions	SB 3108	

Control Handles Meter Extensions

DR EXTENSIONS & NOZZLES				
Verify ID of ATF fill port for compatibility				
MODEL	INLET	EXT. TYPE	NOZZLE	
 3332-098	1/2" NPT(M)	Rigid 60	Auto Tip OD = 0.605"	
 3332-095	1/2" NPT(M)	Flex	Auto Tip OD = 0.605"	
 3332-094	1/2" NPT(M)	Flex 90	Auto Tip OD = 0.605"	
 3332-099	1/2" NPT(M)	Flex Memory	Auto Tip OD = 0.605"	
 3332-091	1/2" NPT(M)	Rigid 60	For OIL 1/4 Turn Manual Tip OD = 0.705"	
 3332-100	1/2" NPT(M)	Flex	For OIL 1/4 Turn Manual Tip OD = 0.705"	
 3332-092	1/2" NPT(M)	Flex 90	For OIL 1/4 Turn Manual Tip OD = 0.705"	
 3332-093	1/2" NPT(M)	Flex Memory	For OIL 1/4 Turn Manual Tip OD = 0.705"	
 3332-101	1/2" NPT(M)	Rigid 60	For ATF 1/4 Turn Manual Tip OD = 0.315"	
 3332-103	1/2" NPT(M)	Flex	For ATF 1/4 Turn Manual Tip OD = 0.315"	
 3332-102	1/2" NPT(M)	Flex 90	For ATF 1/4 Turn Manual Tip OD = 0.315"	
 3332-104	1/2" NPT(M)	Flex Memory	For ATF 1/4 Turn Manual Tip OD = 0.315"	

Control Handles Oil Dispensing Equipment



DIMENSIONS INCHES (MM)					
A	B	C	D	E	F
24.4" (620)	22.8" (580)	19" (480)	11.6" (295)	9.25" (235)	5" (125)

NOTE: fluids must be compatible with wetted materials

Features

Balcrank's oil bar dispenser provides neat and convenient point-of-use dispensing for hand carried containers. This dispenser is easily incorporated into any fluid inventory control system.

- Up to four dispense points
- Heavy duty, metal body
- Drain with steel screen and 1/2" NPT hose connection

Includes:

- One spigot (4200-012) with anti-splash, anti-drip diffuser nozzle
- Additional spigots sold separately

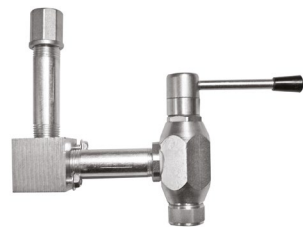
MODEL AVAILABLE	DESCRIPTION
4200-014	Oil Bar Dispenser -1 Spigot



MODEL AVAILABLE	DESCRIPTION
4200-011	Spigot Only
4200-012	Straight Stem for Oil Bars
4200-013	Goose neck (for use with taper pumps)

TECHNICAL DATA	
Max operating pressure	1,000 psi (68.9 bar)
Inlet port size	3/8" NPT(F)
Recommended Fluids	Lubricants, gear oil, ATF, Hydraulic Fluid, and anti-freeze NOTE: fluids must be compatible with wetted materials
Wetted Parts	Steel, Aluminum and Buna-N™
Service Bulletin	SB 4037

TECHNICAL DATA	
Max. Working Pressure	1,000 psi (68.9 bar)
Spigot Inlet	1/2" NPT(F)
Recommended Fluids	Lubricants, gear oil, ATF, hydraulic fluid, and anti-freeze
Wetted Materials	Steel, aluminum, and Buna-N™
Service Bulletin	SB 4038



MODEL AVAILABLE	DESCRIPTION
4200-011	Spigot Only

TECHNICAL DATA	
Max operating pressure	1,000 psi (68.9 bar)
Inlet port size	3/8" NPT(F)
Recommended Fluids	Lubricants, gear oil, ATF, Hydraulic Fluid, and anti-freeze NOTE: fluids must be compatible with wetted materials
Wetted Parts	Steel, Aluminum and Buna-N™
Service Bulletin	SB 4037

Control Handles Grease - Comfort Grip and Pro-series



Features

- Precision-machined, all steel handle and forged body provides reliable service
- Precise, proportional trigger action
- Balanced and knurled grip for less fatigue
- Easily repaired for extended life
- For use with pneumatic grease pumps
- Includes rigid lance, coupler and z-swivel. Some models include whip hoses

TECHNICAL DATA	
Max pressure Handle	7,250 psi (500 bar)
Whip Hose	5,000 psi (345 bar)
Z-Swivel	5,000 psi (345 bar)
Swivel inlet:	1/4" NPT(F)
Compatible Fluids	NLGI-2 Grease
Wetted Materials	Steel and Aluminum
Service Bulletin	SB 3093

Ensure that all system components are rated for the max outlet pressure, especially pumps over 60:1 ratio



Pro Series



Pro Series Booster

TECHNICAL DATA		
	3310-010	3310-009
Max pressure	5,000 psi (345 bar)	5,000 psi (345 bar) building to 10,000 psi (690 bar)
Swivel inlet	1/4" NPT(F)	1/4" NPT(F)
Compatible Fluids	NLGI-2 Grease	NLGI-2 Grease
Wetted Materials	Steel	Steel
Service Bulletin	SB 3018	SB 3006

Ensure that all system components are rated for the max outlet pressure, especially pumps over 60:1 ratio

MODELS AVAILABLE	DESCRIPTION
3310-030	Comfort Grip Grease Handle
3310-031	Comfort Grip Grease Handle with 18" Whip Hose
3310-032	Comfort Grip Grease Handle with 36" Whip Hose

Pro Series

- Precision-machined, all steel handle and forged body provides reliable service
- Precise, proportional trigger action
- Balanced and knurled grip
- Inlet screen included
- For use with pneumatic grease pumps





MODELS AVAILABLE	DESCRIPTION
3310-008	Pro Series Grease Handle
3310-010	Pro Series Grease Handle with Z-swivel
3310-025	Pro Series Grease Handle with 18" Whip Hose and Z-swivel
3310-020	Pro Series Grease Handle with 36" Whip Hose and Z-swivel

Pro Series Booster

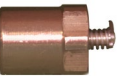




The Pro Series Booster high pressure control handle is designed for use as a standard control handle and as a "Booster" when extreme pressures is required up to 10,000 psi

MODELS AVAILABLE	DESCRIPTION
3310-007	Pro Series Booster Grease Handle
3310-009	Pro Series Booster Grease Handle with Z-swivel

Control Handles Accessories

	Flexible Extensions Flexible whip hose extensions with crimped ends Includes adapter to attach to grease control handle	<p>8390-002, 18" Whip hose HP flexible extension 8390-003, 36" Whip hose HP flexible extension 8390-004, 42" Whip hose HP flexible extension</p> <p>Max. pressure 5,000 psi (345 bar). Hose end 1/8" NPT(M) on both ends. Compatible fluid NLGI-2 Grease</p>
	Grease Coupler Standard super grip coupler	<p>5200-017 Quick Lock grease coupler 1/8" NPT(F)</p> <p>5310-024 Grease coupler, 4-jaw. Max pressure 10,000 psi (690 bar). Threads 1/8" -27 NPT. Compatible Fluid: NLGI-2 Grease</p>
	Z-Swivel Swivel action for better control Installed between grease handle and fluid hose for freedom of motion Low friction ball bearing swivels High pressure packing	5310-018 Z-Swivel. Max pressure 5,000 psi (345 bar). Inlets: 1/4" NPT(F) x 1/4" NPT(M). Wetted materials: Steel
	Shrouds Protects vehicle or machine surfaces from scratches.	833398 Multi Colored set; red, yellow, green, blue (4 pcs)

NOZZLES

	MODEL	INLET	TIP OD	MAX. FLOW	NOZZLE
	3332-097	1/4" NPT(F)	0.612" Verify ID of ATF fill port for compatibility	2.1 gal/min (8 l/min)	Auto
	3332-096	1/4" NPT(F)	0.710" Verify ID of ATF fill port for compatibility	3.7 gal/min (14 l/min)	1/4 Turn Manual for OIL ports
	3332-105	1/4" NPT(F)	0.312" Verify ID of ATF fill port for compatibility	3.7 gal/min (14 l/min)	1/4 Turn Manual for ATF ports
	3332-090	3/8" NPT(F)	0.548" Verify ID of ATF fill port for compatibility	5.0 gal/min (18.9 l/min)	Semi-Auto
	3332-107	1/2" NPT(F)	-	15.5 gal/min (58.79 l/min)	Semi-Auto HighFlo

Control Handle Repair Kits

DR METER		
HANDLE MODELS	KIT NUMBER	DESCRIPTION
All DR handle	833306	Inlet Swivel
All DR handle	833307	Trigger
All DR handle	833308	Valve
All DR handle	833309	Cam kit
DR Meter	833381	O-ring
DR Meter	833310	Gears kit
DR Meter	833873	Circuit Board Kit
DR Meter	833917	Face Plate/Battery Cover

MO METER		
HANDLE MODELS	KIT NUMBER	DESCRIPTION
All MO handle	833306	Inlet Swivel
All MO handle	833307	Trigger
All MO handle	833308	Valve
All MO handle	833309	Cam kit
MO Meter	833381	O-ring

EP METER		
HANDLE MODELS	KIT NUMBER	DESCRIPTION
All EP handle	833924	Oval Gear Kit
All EP handle	833925	Electronic Module
All EP handle	833926	Valve Sealing Kit

MR HANDLE		
HANDLE MODELS	KIT NUMBER	DESCRIPTION
All MR handle	833385	Kit, Knob, MR Meter
All MR handle	833386	Kit, Shroud, MR Meter, Quarts
All MR handle	833387	Kit, Shroud, MR Meter, Liters
All MR handle	833388	Kit, Gear & Inner Dial, MR Meter, Quarts
All MR handle	833389	Kit, Gear & Inner Dial, MR Meter, Liters
All MR handle	833390	Kit, Totalizer, MR Meter
All MR handle	833391	Kit, Metering Chamber, MR Meter, Quarts
All MR handle	833392	Kit, Metering Chamber, MR Meter, Liters
All MR handle	833393	Kit, Packing Gland, Housing, MR Meter
All MR handle	833306	Kit, Inlet Swivel - DR Handle
All MR handle	833307	Kit, Trigger - DR Handle
All MR handle	833308	Kit, Valve - DR Handle
All MR handle	833309	Kit, Cam - DR Handle

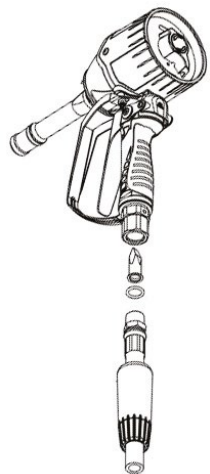


Control Handle Repair Kits

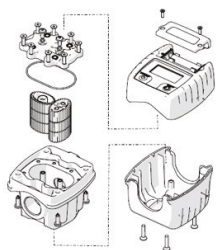
Notes

3

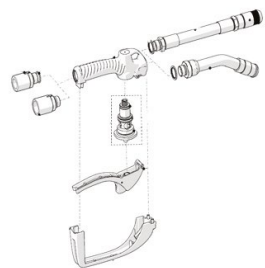
MR HANDLE PRE-SET		
HANDLE MODELS	KIT NUMBER	DESCRIPTION
All Pre-Set MR handle	833594	Kit, Inlet Swivel - DR Handle
All Pre-Set MR handle	833580	Kit, Knob, MR Preset
All Pre-Set MR handle	833581	Kit, Shroud, MR Preset, Liters
All Pre-Set MR handle	833582	Kit, Shroud, MR Preset, Quarts
All Pre-Set MR handle	833583	Kit, Shroud, MR Preset, Gallons
All Pre-Set MR handle	833584	Kit, Gears, MR Preset, Liters
All Pre-Set MR handle	833585	Kit, Gears, MR Preset, Quarts
All Pre-Set MR handle	833586	Kit, Gears, MR Preset, Gallons
All Pre-Set MR handle	833587	Kit, Totalizer, MR Preset, Liters
All Pre-Set MR handle	833588	Kit, Totalizer, MR Preset, Qts/Gal
All Pre-Set MR handle	833589	Kit, Metering Chamber, MR Preset, L
All Pre-Set MR handle	833391	Kit, Metering Chamber, MR Preset, Qts/Gal
All Pre-Set MR handle	833591	Kit, Lock Mechanism, MR Preset
All Pre-Set MR handle	833592	Kit, Handle Cam, MR Preset
All Pre-Set MR handle	833593	Kit, Handle Valve, MR Preset
All Pre-Set MR handle	833594	Kit, Swivel, MR Preset
All Pre-Set MR handle	833381	O-Ring/ Buna/24Mm Id X 2Mm Cs/Dr Meter
All Pre-Set MR handle	833393	Kit, Packing Gland, Housing, MR Meter

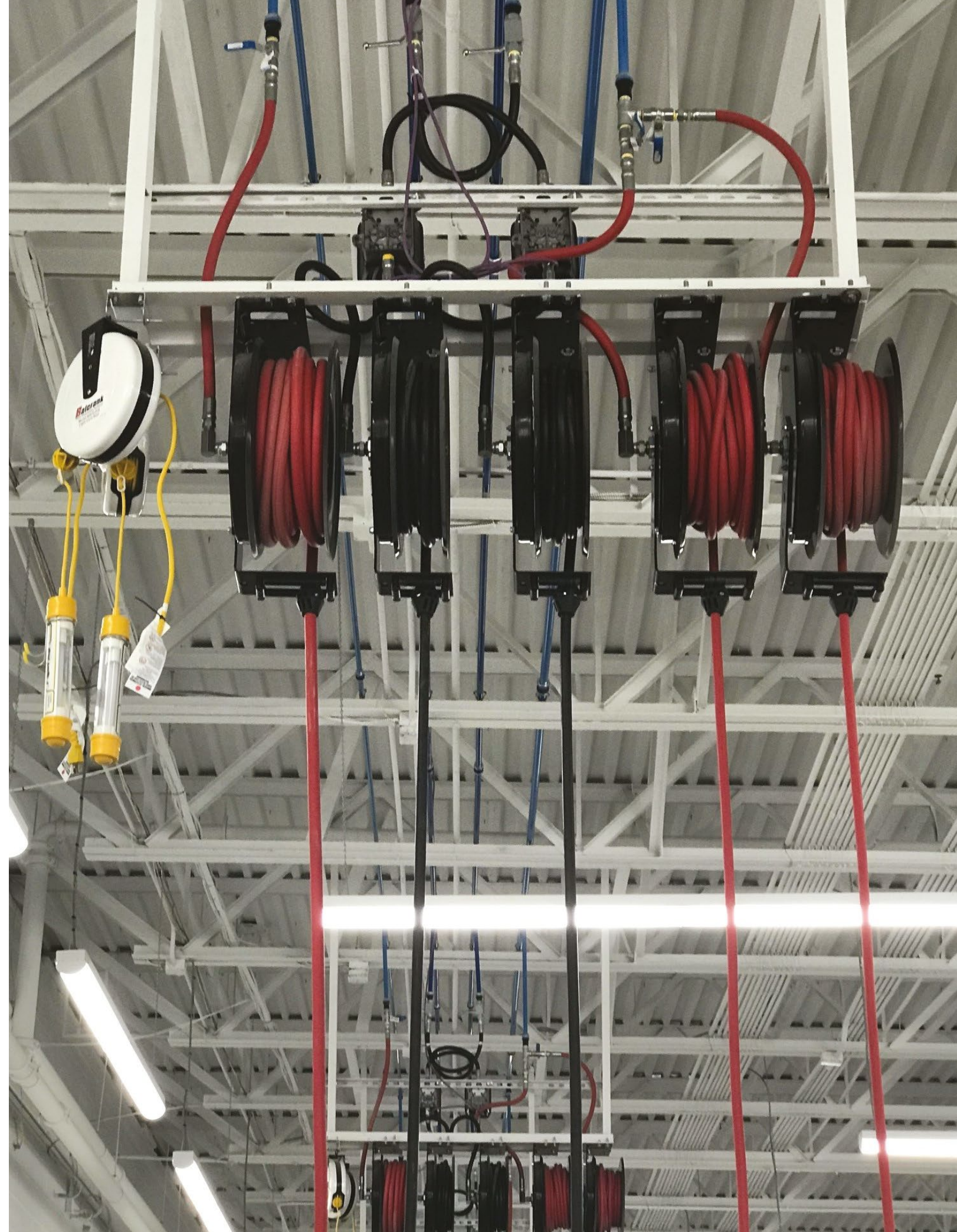
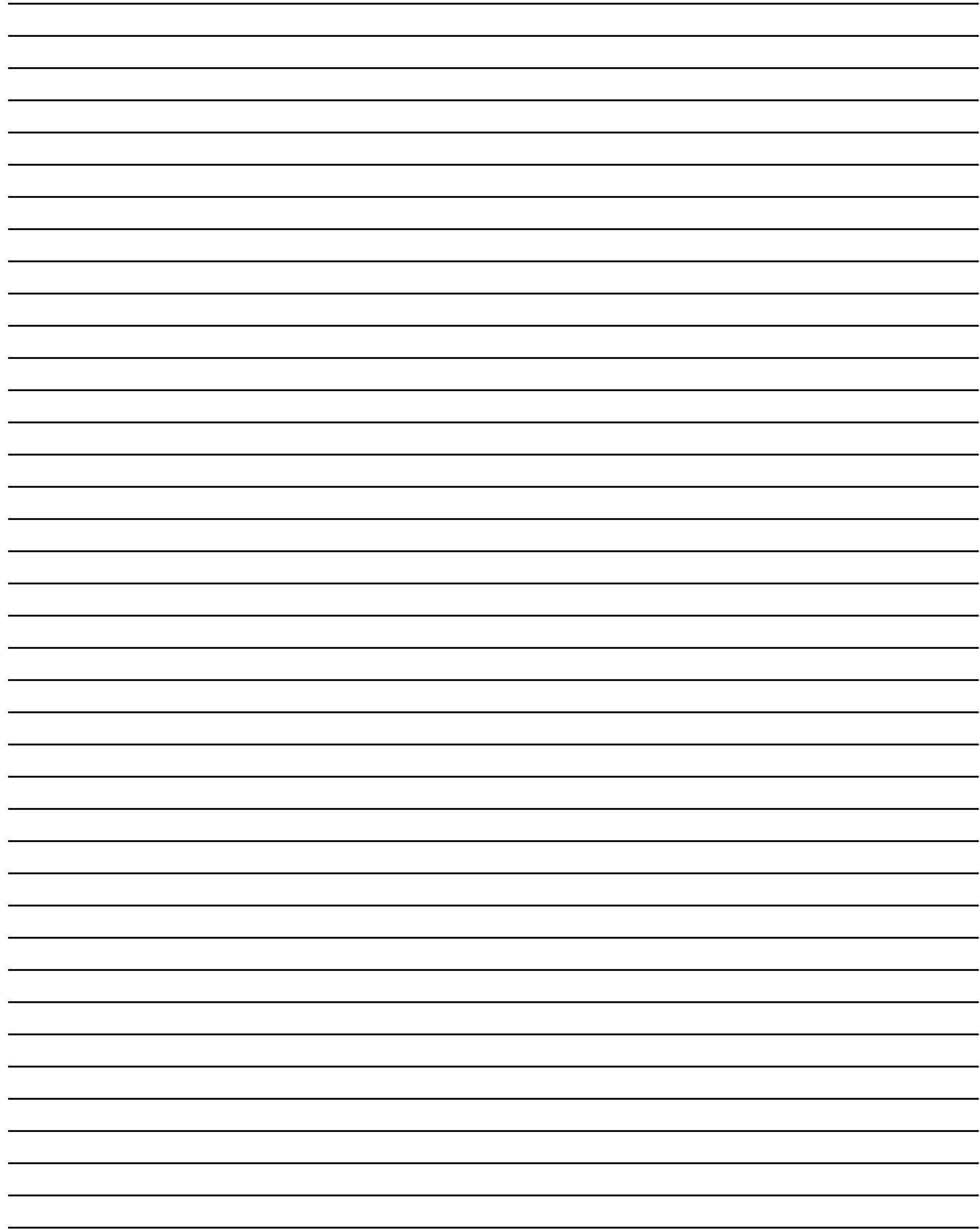


HIGHFLO METER		
HANDLE MODELS	KIT NUMBER	DESCRIPTION
3320-051, 052, 053, 054	833376	3/4" NPT swivel with strainer and O-ring
3320-051, 052, 053, 054	833377	Control valve body with 1" swivel
3320-051, 052, 053, 054	833380	Flex extension with Semi-Auto tip and bonded seal
3320-051, 052, 053, 054	833379	Rigid extension with Semi-Auto tip and bonded seal



PULSE METERS		
METER MODELS	KIT NUMBER	DESCRIPTION
DR FOR DEF		
3120-116	833507	DR Meter Face with Electronic Kit
DR STYLE		
3120-114	833687	Gear Kit
DR STYLE METER HIGH FLOW		
3120-120	833508	Gears Kit
3120-120	833873	Circuit Board Kit
3120-120	833376	3/4" NPT swivel with strainer and O-ring
3120-120	833917	Face Plate/Battery Cover





Balcrank

Fluid Dispensing Systems

Balcrank Corporation

90 Monticello Road
Weaverville, NC 28787, USA
Tel.: (800) 747-5300 or (828) 645-4261
Fax: (800) 763-0840 or (828) 658-0840
info@balcrank.com
www.balcrank.com
www.shopbalcrank.com

Customer Support

Tel.: (800) 747-5300 or (828) 645-4261
(Monday to Friday, 8:00 AM - 5:00 PM ET)

- Order entry
- Product availability and information
- Pricing
- Shipping dates and delivery information
- Return Merchandise Authorization

Technical Support

Tel.: (800) 747-5300 or (828) 645-4261
(Monday to Friday, 8:00 AM - 5:00 PM ET)

- Repair advice
- Product application recommendations
- Warranty claims and returns
- Service bulletins

Place an Order

Tel.: (800) 747-5300 or (828) 645-4261
Fax: (800) 763-0840 or (828) 658-0840

- Fax orders day or night
- Order confirmed next business day by fax or e-mail

E-mail: orders@balcrank.com

Online: www.shopbalcrank.com

- Place orders on-line 24/7
- Four convenient ways to shop
- Search by product name or number
- Browse the site and add to cart
- Copy past orders to create a duplicate order
- Rapid order entry
- Pricing is live and specific to your account
- Build, print, save, and manage quotes for access at a later date
- Track shipped orders
- Easy management of personnel access and assigned permissions

Distributor