

## NEW PRODUCT

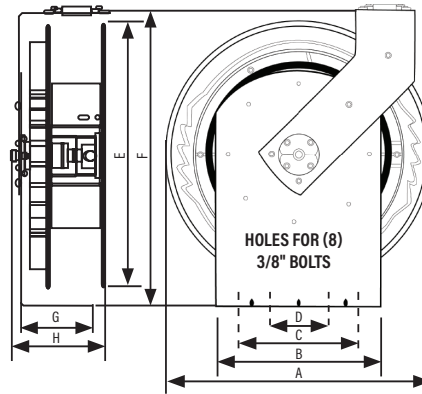
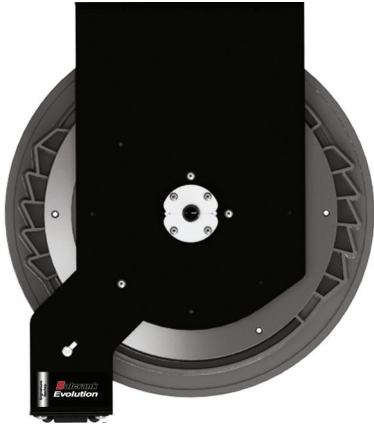
### Evolution High Pressure Water Hose Reel

2140-003

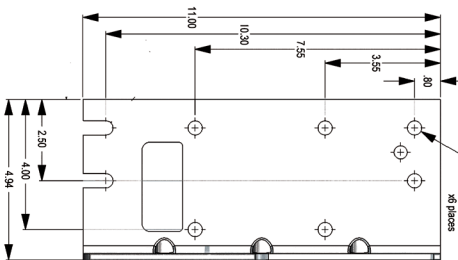
#### Evolution Hose Reel: An Evolution in Design & Performance

Lightweight but extremely rugged: steel pedestal, arm, and dual ball-bearings. The Evolution is a solid performer that combines design, performance, and reliability with the right features and benefits for today's customers.

- **Narrow, lightweight design**
- **High pressure hot water applications**
- **Bare reel - Up to 50' hose**



DIMENSIONS INCHES							
A	B	C	D	E	F	G	H
18"	11"	9.5"	4"	18"	20"	5"	6.5"



#### TECHNICAL DATA

Fluid inlet port	3/8" NPT(F) swivel
Fluid outlet port	3/8" NPT(F) swivel
Max. working pressure	2,900 psi (200 bar)
Max. working temp.	Up to 302° F (150° C)
Wetted materials	Nickel Plated Steel, Hardened Steel and Polyurethane, Stainless Steel, Viton <sup>®</sup>
Service bulletin	SB 2025

**CORRECTED DATA SHEET. SUPERSEDES ALL OTHER SHEETS 1/2023**