

Electronic Grease Meter

Balcrank
Fluid Dispensing Systems

A high-pressure oval gear grease meter designed to be used as an in-line meter with an electronic digital display.

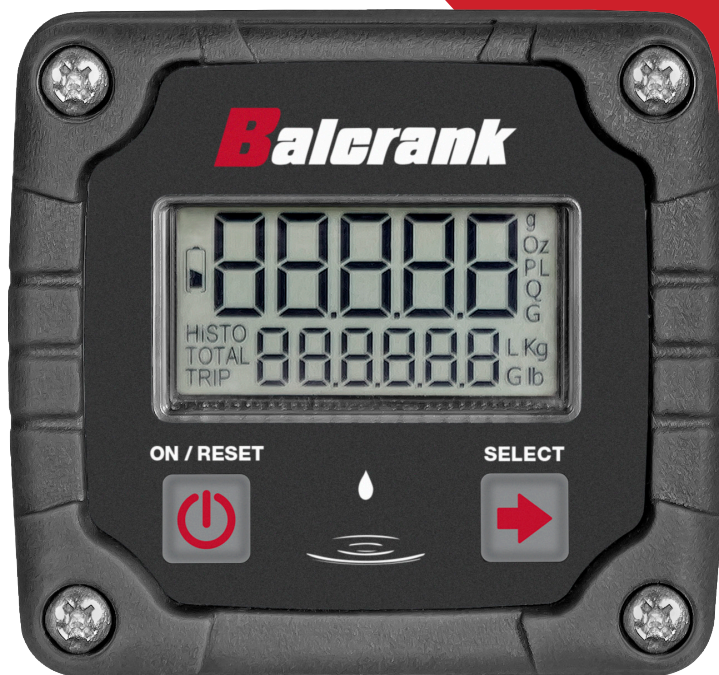
- Shock-proof
- Clear to read
- Increased durability
- Easy to replace batteries
- Calibration function

Fluids

- NLGI-2 Grease

Applications

- Truck dealerships
- Fleet service
- Mining equipment maintenance
- Mass transit vehicles
- Lube trucks
- Railroad
- Maintenance shops



3310-011

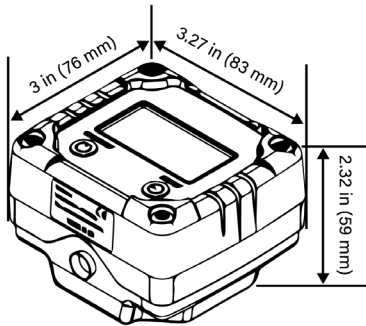
ORDER INFORMATION

3120-095	Electronic grease meter, 1/8" inlet/outlet connection
3310-011	Electronic-metered grease handle flexible outlet

TECHNICAL DATA

Units of measure	Grams/ Ounces, Kilograms / Pounds
Accuracy	± 2%
Flow range	0.22 to 5.5 lb/min (0,1 to 2,5 kg/min)
Maximum pressure	10,150 psi (700 bar)
Swivel inlet	1/8" NPT (F)
Operating temperature	-10 °C to 55 °C (14 °F to 131 °F)
Weight	1.16 lb (528 kg)
Battery	2 x "AAA" alkaline
Compatible Fluids	NLGI-2 Grease
Wetted materials	Aluminum, Acetal, NBR, Stainless steel
Pulses rate	1,11 ppg / 1100 ppkg 34.47 ppoz / 503.49 pplb
Maximum/minimum totalizer	0.001 a 999999 units/ Floating point
Maximum/minimum recorded dispense	0.001 a 999999 units/ Floating point

Dimensions inches (mm)



Balcrank Corporation

90 Monticello Road
Weaverville, NC 28787, USA
Tel.: (800) 747-5300

info@balcrank.com
www.balcrank.com
www.shopbalcrank.com