



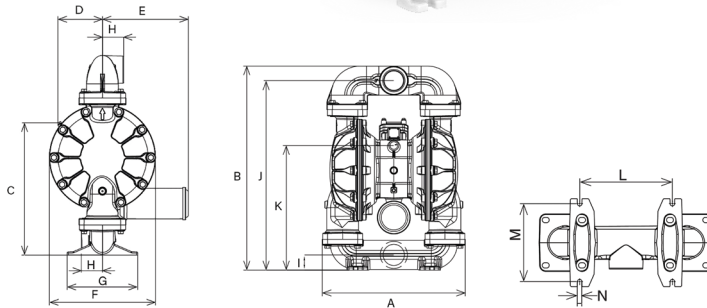
# **Balcrank**

2025 Balcrank Product Releases

Automotive | Commercial | Industrial

# Pivot Series UP20

**PIVOT**  
S E R I E S  
UNIVERSAL DESIGN



Dimensions inches (MM)						
A	B	C	D	E	F	G
18.3" (465 mm)	26.5" (673 mm)	18.9" (480 mm)	7.3" (185 mm)	13.9" (353 mm)	13.4" (340 mm)	10" (254 mm)
H	I	J	K	L	M	N
2.4" (61 mm)	1.9" (48 mm)	24.8" (630 mm)	17.3" (439 mm)	10.1" (307 mm)	9.1" (231 mm)	.06" (1.5 mm)

**Anti-freeze (Glycol)  
Windshield wash  
solution  
Used oil  
Synthetic and  
mineral oil**

This Pivot Series pump is designed to handle a wide range of fluids in very large volume transfer and fluid evacuation applications.

The UP20 Pivot Series pump transfers fluid up to 170 gal/min. Combining a conventional flow design with a special pivoting air valve for increased reliability. This pump can be used as a stand-alone pump for transfer or as a system pump for fluid distribution.

### Markets Served

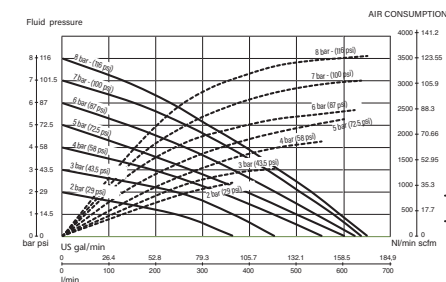
- Mining and construction
- Railroad and mass transit vehicles
- In-plant transfer
- Agriculture/Farm implement
- Lube trucks

TECHNICAL DATA	
Air inlet	3/4" NPT(F)
Fluid inlet port	2" Flanged
Fluid outlet port	2" Flanged
Max. free flow	172 gal/min (650 l/min)
Air pressure range	20-100 psi (1.5-7 bar)
Solids in suspension	1/4" (6.4 mm)
Wetted Materials	Refer to materials table at the bottom of the page
Recommended Fluids	Anti-freeze (Glycol), lubricants, used oil, used fluids, and synthetic and mineral oil
Recommended Applications	Very large volume transfer, dewatering and fluid evacuation
Service Bulletin	--

MODELS AVAILABLE	DESCRIPTION
<b>1120-051</b>	2" Diaphragm Pump Polypropylene UP20B-FPS-PHC

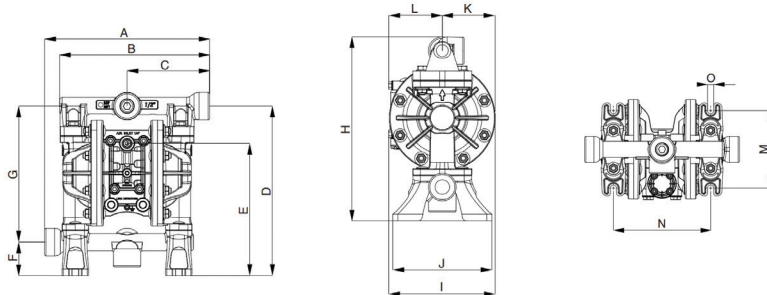
\*\* Balcrank does not recommend pumping windshield wash or any other fluid below 100° flash point. Contact Balcrank for additional information.

AIR MOTOR	HOUSINGS			WETTED PARTS		
Central Body & Air Chambers	Fluid Ports / Location Multiport manifolds: central and lateral	Fluid Chambers & Manifolds	Hardware Bolts & Inserts	Valve Seats	Valve Balls	Diaphragms Type & Material
<b>1120-051 UP20B-FPS-PHC</b>						
B*=Conductive Polypropylene	F=Flanged Ports	P=Polypropylene	S=Stainless Steel	P= Polypropylene*	H=Hytrel <sup>®</sup>	C=Hytrel <sup>®</sup>



\*Tested at room temperature, using water. Flooded pump with positive suction head.

# Pivot Series UP05



Dimensions inches (MM)							
A	B	C	D	E	F	G	
9.84" (250 mm)	8.98" (228 mm)	4.92" (125 mm)	10.12" (257 mm)	7.87" (200 mm)	2.01" (51 mm)	8.11" (206 mm)	
H	I	J	K	L	M	N	O
10.95" (278 mm)	6.34" (161 mm)	5.91" (150 mm)	3.15" (80 mm)	3.19" (81 mm)	4.92" (125 mm)	6.18" (157 mm)	0.39" (10 mm)

## Diesel Exhaust Fluid

The Pivot Series combines a universal design with a unique frictionless Pivot-Shaft Air Valve to provide maximum performance and efficiency. This pump has been designed for simplified cleaning and maintenance and all Pivot Series pumps are designed for maximum fluid flow, and reduced air consumption.

The UP05 Pivot Series pump transfers fluid up to 14 gal/min. Combining a conventional flow design with a special pivoting air valve for increased reliability. This pump can be used as a stand-alone pump for transfer or as a system pump for fluid distribution.

### Markets Served

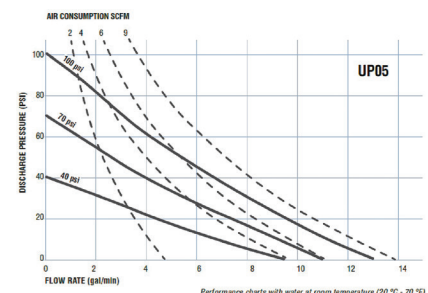
- Car and Truck Dealerships
- Mining and Construction
- Fleets
- In Plant Transfer
- Lube Trucks
- Agriculture / Farm Implement

TECHNICAL DATA	
Air inlet	1/4" NPT(F)
Fluid inlet port	1/2" BSP(F)
Fluid outlet port	1/2" BSP(F)
Max. free flow	13.5 gal/min (51 l/min)
Air pressure range	20 to 100 psi (1.5 to 7 bar)
Solids in suspension	3/32" (2.5 mm)
Wetted Materials	Refer to materials table at the bottom of the page
Recommended Fluids	Diesel Exhaust Fluid (DEF)
Recommended Applications	Fluid dispensing, transfer, and DEF
Service Bulletin	SB 1211

MODELS AVAILABLE	DESCRIPTION
1120-052	1/2" Diaphragm Pump Conductive Polypropylene UP05B-BPS-PMA

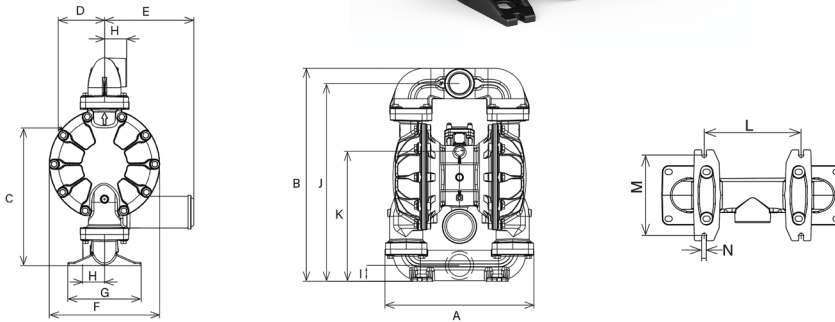
\*\* Balcrank does not recommend pumping windshield wash or any other fluid below 100° flash point. Contact Balcrank for additional information.

AIR MOTOR	HOUSINGS			WETTED PARTS		
Central Body & Air Chambers	Fluid Ports / Location Multiport manifolds: central and lateral	Fluid Chambers & Manifolds	Hardware Bolts & Inserts	Valve Seats	Valve Balls	Diaphragms Type & Material
<b>1120-052 UP05B-BPS-PMA</b>						
B = Conductive Polypropylene	B = 1/2" BSP(F) threaded ports	P = Polypropylene	S = Stainless Steel	P = Polypropylene	Santoprene	Santoprene



# Pivot Series UP30

**PIVOT**  
S E R I E S  
UNIVERSAL DESIGN



Dimensions inches (MM)						
A	B	C	D	E	F	G
22.6" (574mm)	32.3" (820 mm)	21.4" (544 mm)	7.2" (183 mm)	13.9" (353 mm)	17.2" (437 mm)	11.4" (290 mm)
H	I	J	K	L	M	N
3.4" (86 mm)	2.4" (61 mm)	30" (762 mm)	19.7" (500 mm)	12.1" (307 mm)	10.1" (256 mm)	.06" (1.5 mm)

TECHNICAL DATA	
Air inlet	3/4" NPT(F)
Fluid inlet port	3" NPT(F)
Fluid outlet port	3" NPT(F)
Max. free flow	265 gal/min (1000 l/min)
Air pressure range	20-120 psi (1.5-8 bar)
Solids in suspension	1/2" (12.7 mm)
Wetted Materials	Refer to materials table at the bottom of the page
Recommended Fluids	Anti-freeze (Glycol), lubricants, used oil, used fluids, and hydraulic oil
Recommended Applications	Very large volume transfer, de-watting and fluid evacuation
Service Bulletin	SB 1207

\*\* Balcrank does not recommend pumping windshield wash or any other fluid below 100° flash point. Contact Balcrank for additional information.

AIR MOTOR	HOUSINGS			WETTED PARTS		
Central Body & Air Chambers	Fluid Ports / Location Multiport manifolds: central and lateral	Fluid Chambers & Manifolds	Hardware Bolts & Inserts	Valve Seats	Valve Balls	Diaphragms Type & Material
<b>1120-054 UP30A-NAC-HHC</b>						
A=Aluminum	N=NPT threaded ports	A=Aluminum	C=Carbon Steel	H=Hytrel <sup>®</sup>	H=Hytrel <sup>®</sup>	C=Hytrel <sup>®</sup>

## Anti-freeze (Glycol) Used oil Synthetic and mineral oil

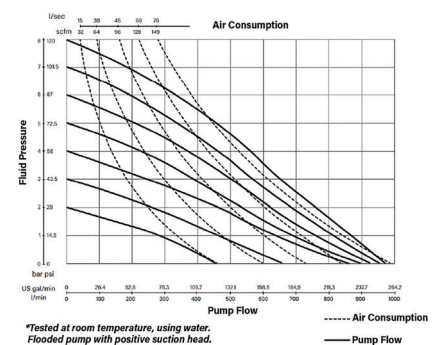
This Pivot Series pump is designed to handle a wide range of fluids in very large volume transfer and fluid evacuation applications.

The UP30 Pivot Series pump transfers fluid up to 265 gal/min. Combining a conventional flow design with a special pivoting air valve for increased reliability. This pump can be used as a stand-alone pump for transfer or as a system pump for fluid distribution.

### Markets Served

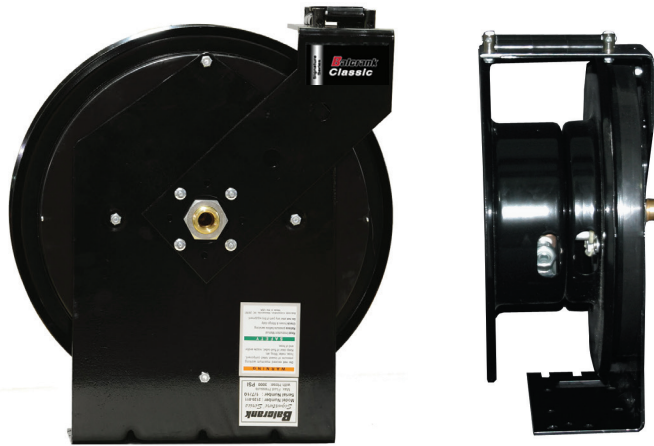
- Mining and construction
- Railroad and mass transit vehicles
- In-plant transfer
- Agriculture/Farm implement
- Lube trucks

MODELS AVAILABLE	DESCRIPTION
<b>1120-054</b>	3" Diaphragm Pump Aluminum UP30A-NAC-HHC



# Hose Reels Classic

**Air & Water  
Anti-freeze  
Windshield wash  
Oil  
Grease  
Diesel**

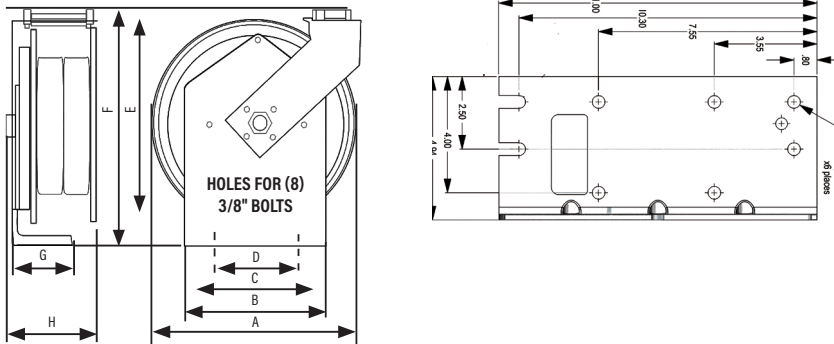


The Classic Hose Reel has been the **standard of reliability for over a decade**. This solid, all steel hose reel is preferred for general duty, automotive dealerships, and service garages. Proven performance and reliable operation.

**All Classic series reels include hose, hose stop and a 2.5' connecting hose.**

MODELS AVAILABLE	DESCRIPTION	REPLACEMENT HOSE
Air & Water Low Pressure 300 psi (21 bar) for delivery of air, water, anti-freeze and windshield wash***		
2120-008	30' x 1/2" ID hose	8241-030

TECHNICAL DATA	
Low & Medium Pressure Reels	
Fluid inlet port	1/2" NPT(F) swivel
Fluid outlet port	1/2" NPT(F) swivel
Hose outlet thread	1/4" NPT(M) for 3/8" ID Hoses
	1/2" NPT(M) for 1/2" ID Hoses
Wetted materials	Plated steel, Brass, bronze and Buna-N



Dimensions inches (MM)							
A	B	C	D	E	F	G	H
16" (407 mm)	11" (280 mm)	9.5" (242 mm)	4" (102 mm)	16" (407 mm)	20" (508 mm)	5" (127 mm)	6-8" (153-204 mm)

## Color-Coded Swivel Covers



Small Upgrade. Big Impact! Balcrank's Color-Coded Swivel Covers are more than just accessories, they're a smart upgrade for safety, fluid identification, and shop efficiency. Designed to deliver comfort, durability, and quick visual cues, they help technicians.

- See the Difference. Know the Fluid
- Prevent Mix-Ups
- Enhance Safety & Efficiency
- Protect Your Equipment

MODELS AVAILABLE	DESCRIPTION
833994	Color-coded Swivel Covers: 4pcs set; red, yellow, green, blue

# Lightweight Double Wall Oil Dispense Piston Pump

**Package includes**

- Double wall tank - choice of 165 gal (L 29" x W 28" x H 61"), 275 gal (L 43" x W 28" x H 61") , or 400 gal (L 64" x W 30" x H 68")
- Hose reel - choice of Evolution or Classic series hose reel, 30' or 50'x 1/2"
- Piston pump - choice of LYNX® 3:1, LYNX® 5:1 HD, or Panther® 3:1
- Mechanical preset control handle
- F/R auto drain 1/4" NPT(F)
- 2.5' reel inlet hose
- 5' air connecting hose
- Air quick connect coupler & nipple
- Sight gauge
- Vented fill cap
- Pump & reel bracket

(See additional tank accessories on pg. 152)

\*As with all tanks, be sure to follow local and state guidelines for tank placement and installation. Some cities and counties have not approved the UL 2258 certification, as it is different than the familiar UL142 that pertains to steel tanks, so be sure to check with your local Fire Marshal and/or city and county regulations before ordering.

These double wall tanks feature:

- Inner tank made of blow-molded, high-density, seamless polyethylene that is leak-proof and will never corrode
- Outer tank is made of weld-free galvanized steel and roll seamed with an oil and fire-resistant seal
- Outer tank holds 110 percent of inner tank for maximum protection
- Extremely light, up to 50 percent lighter than conventional steel tanks
- Can be used for DEF, diesel and bio fuels, motor oil, and ATF
- Compact, economical design (8 sq. ft. for 1000 l)
- Wide handles on each end allow for easy handling and transportation
- UL 2258 certified\*
- 4 x 2" bung openings
- All tanks ship assembled

## Medium Duty Applications

- Low to medium volume, small service centers



MODELS AVAILABLE	DESCRIPTION
<b>1135-017C</b>	50' EVO Reel, LYNX® 5:1 HD pump, 275 gal
<b>1135-029C</b>	50' EVO Reel, LYNX® 5:1 HD pump, 400 gal

# Motorized Solenoid Valve



The Motorized Solenoid Valve is an innovative solution designed to prevent overfilling of waste tanks during fluid evacuation operations in shops. By integrating a solenoid with key components, this system automatically controls fluid flow, stopping the flow when the tank reaches capacity. This protects equipment, improves safety, optimizes workflow, and allows your shop to use one solenoid to control multiple evaluation pumps.

MODELS	DESCRIPTION	
<b>3120-235</b>	Parts Included: NEX-U, WASTE SOLENOID; 1" NPT LP-N OPEN NIPPLE, HEX, STEEL, 1" NPT(M) POLY T STRAINER, 1"	Normally Opened.  Air Solenoid provides for the remote shutdown of dispensing pumps from the fluid control console. For use with TM Control (3110-033), or with Nex-U U-Tank (3110-105).  Pressure: 150 PSI (10.3 bar) Connection: 1" NPT (F/F) Power: 24 V AC

MODELS AVAILABLE	DESCRIPTION
<b>3120-235</b>	Motorized Solenoid Valve

## Bulk Control Handles (10 Handles, 1 Package)



**Synthetic and mineral based lubricants**  
**Gear Oil**  
**Hydraulic oil and fluids**  
**ATF**  
**Anti-freeze (Glycol) and anti-freeze water solution**

Our Bulk Control Handles (10 Pack) come fully assembled and ready to install with a convenient plug-and-play structure.

- Sealed battery compartment; 2 AAA batteries
- Precision robotically machined aluminum die-cast fluid chamber for repeatable accuracy
- Low power consumption with auto sleep function
- Trip mode function; can operate as a simple fluid management device
- Non-resettable totalizer; maintains total volume of meter since day one
- Ergonomic comfort handle
- Unique 1/4 turn manual tip; fast, simple
- Flanged coupling; prevents leaks commonly found in competitive meters
- Swivel protective cover
- Affordable repairability

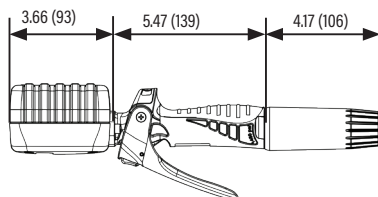
See Dispense nozzle OD for important details

TECHNICAL DATA	
Units of measure	Batch: Gallons, Quarts, Pints, and Liters (in 0.01 increments)
Accuracy	+/- 0.5% of reading (lubricating oils)
Flow Range	0.26-8 gal/min (1-30 l/min)
Maximum pressure	1,450 psi (100 bar)
Swivel inlet	1/2" NPT(F)
Dispense Nozzle OD	Auto = 0.605" Manual 1/4 turn for OIL = 0.705" Manual 1/4 turn for ATF = 0.315" Verify ID of ATF fill port for compatibility
Operating temperature	14° F to 140° F (-10° C to 60° C)
Weight	4 lb (1.80 kg)
Battery	2 x 1.5 v alkaline "AAA"
Compatible Fluids	Oil, transmission fluid, hydraulic fluid, and anti-freeze
Wetted Materials	Liquid Crystal Polymer (LCP), aluminum, Buna-N™, zinc plated steel, stainless steel, neodymium, and brass
Service Bulletin	SB 3095

### Markets Served

- Car and truck dealers
- Fast lube and maintenance shops
- Fleets
- Mining and construction
- Lube trucks

Dimensions inches (mm)



833398 Multi Colored set; red, yellow, green, blue (4 pcs)

MODELS AVAILABLE	EXTENSION TYPE & NOZZLE	EXTENSION CODE
Verify ID of ATF fill port for compatibility.		
<b>3330-159B</b>	Flex-memory 1/4 turn - OIL (qty. 10)	3332-093
<b>3330-172B</b>	Flex-memory 1/4 turn - ATF (qty. 10)	3332-104

# Extended Volume Extra (EVX)

**Air & Water  
Anti-freeze  
Oil  
Diesel  
Evacuation**



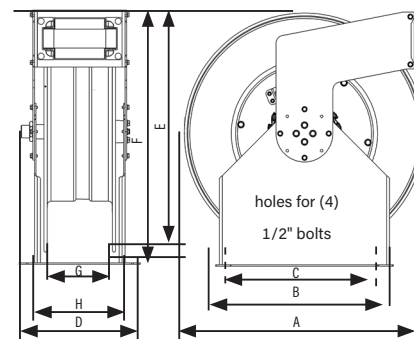
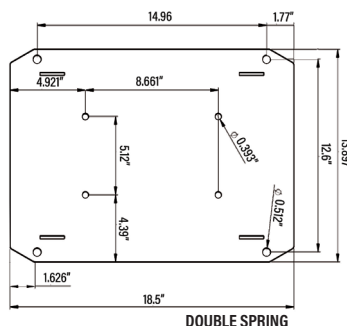
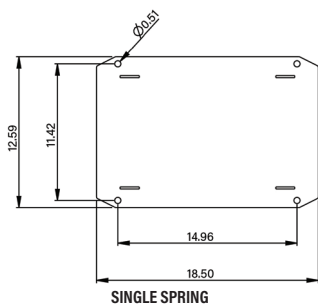
The Extended Volume, EVX Series hose reels are designed for high volume heavy-duty applications where large hose diameters are required for increased flow. The EVX reels will accommodate up to 50' of 1" ID hose or 100' of 1/2" ID hose. Perfect for heavy-duty fleet, construction, mining and industrial applications.

All EVX series reels include hose, hose stop and a 2.5' connecting hose.

MODELS AVAILABLE	DESCRIPTION	REPLACEMENT HOSE
Diesel & Evacuation Low Pressure 50 psi (3 bar) for delivery of diesel fuel and used oil evacuation*		
<b>2310-050</b>	30' x 1" ID hose Evacuation	8281-050

\* Verify that system design supports the use of an evacuation reel.  
\*\* Double spring reel

TECHNICAL DATA	
Low & Medium Pressure Reels	
Fluid inlet port	1" NPT(F) swivel
Fluid outlet port	1" NPT(F) swivel
Hose outlet thread	1/2" NPT(M) for 1/2" ID Hoses
	3/4" NPT(M) for 3/4" ID Hoses
	1" NPT(M) for 1" ID Hoses
Wetted Materials	Nickel plated steel and Buna-N™
Service Bulletin	SB 2029



Single Spring Dimensions inches (MM)							
A	B	C	D	E	F	G	H
25" (635 mm)	18.5" (470 mm)	15" (381 mm)	12.6" (321 mm)	25" (635 mm)	26.5" (674 mm)	7" (178 mm)	11.4" (290 mm)

Double Spring Dimensions inches (MM)							
A	B	C	D	E	F	G	H
25" (635 mm)	18.5" (470 mm)	15" (381 mm)	13.9" (354 mm)	25" (635 mm)	26.5" (674 mm)	8.5" (216 mm)	12.6" (321 mm)

## Axis Air/Water Hose Reel



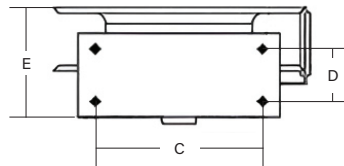
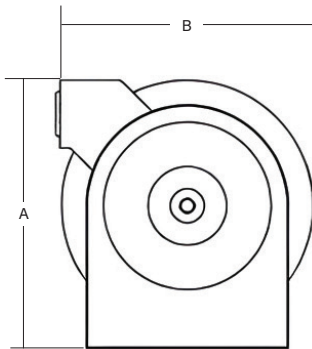
## Air & Water

### Steel "AXIS" Hose Reel: quality and value in a sturdy design

- Easy to install - light weight, compact design, will fit in small spaces.
- Five-position outlet arm - for use with ceiling, wall, cabinet mount.
- Proven design - excess spring torque assures reliable hose return
- Built to last - thick wall fluid swivel and hub; stamped steel rims, arms, and base
- Air hose, made from durable nylon exterior. Ball stop and 3' connection hose included.
- Powder coat black finish - better corrosion resistance

MODELS AVAILABLE	DESCRIPTION
	Air & Water 300 psi (21 bar) for delivery
<b>2130-003</b>	50' x 1/4"

TECHNICAL DATA	
Low Pressure Reel	
Fluid inlet port	1/4" NPT(F)
Fluid outlet port	1/4" NPT(F)
Hose outlet thread	1/4" NPT(M)
Max pressure	300 psi (21 bar)
Wetted Parts	Approved for use with air & water



Dimensions inches (MM)				
A	B	C	D	E
14.4" (365 mm)	14.25" (362 mm)	9.72" (247 mm)	2.48" (63 mm)	6.125" (155 mm)

## Axis Air/Water Hose Reel



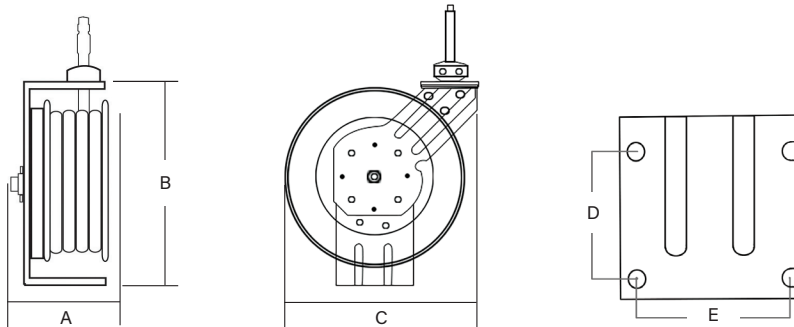
## Air & Water

### Steel "AXIS" Hose Reel: quality and value in a sturdy design

- Easy to install - light weight, compact design, will fit in small spaces.
- Five-position outlet arm - for use with ceiling, wall, cabinet mount.
- Proven design - excess spring torque assures reliable hose return
- Built to last - thick wall fluid swivel and hub; stamped steel rims, arms, and base
- Air hose, made from durable nylon exterior. Ball stop and 3' connection hose included.
- Powder coat black finish - better corrosion resistance

MODELS AVAILABLE	DESCRIPTION
	Air & Water 300 psi (21 bar) for delivery
<b>2130-004</b>	50' x 1/2"

TECHNICAL DATA	
Low Pressure Reel	
Fluid inlet port	1/2" NPT(F)
Fluid outlet port	1/2" NPT(F)
Hose outlet thread	1/2" NPT(M)
Max pressure	300 psi (21 bar)
Wetted Parts	Approved for use with air & water



Dimensions inches (MM)				
A	B	C	D	E
6.7" (171 mm)	18.70" (475 mm)	18" (458 mm)	4" (102 mm)	5" (127 mm)

# Mercedes Benz Portable Pressurized Oil Dispenser



The self-contained portable air pressurized unit is designed for easy dispense of any fresh oil with no need for any pumping device. It is ideal for small shops that have a need for a self-contained totally mobile unit. To operate, you pressurize the tank with compressed air, and you are ready to dispense.

Max pressure is 116 psi (8 bar)

Includes 6.5 gal tank, sight gauge, 5' clear dispensing hose. The metered version comes with the 3330-159 DR Control handle.

#### Fluids

- Synthetic and mineral based lubricants
- Gear oil
- Transmission fluid
- Hydraulic fluid

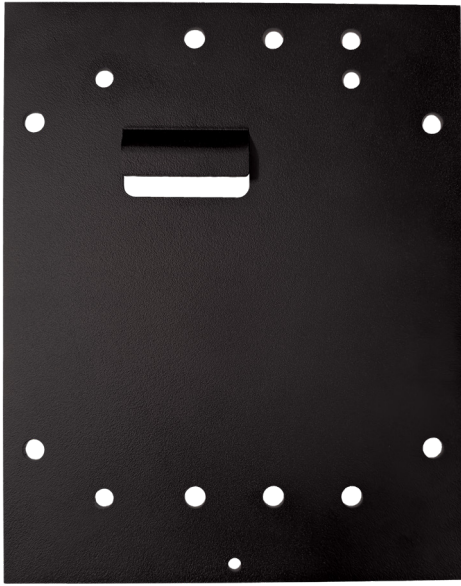
#### Applications

- Small automotive dealerships
- Quick lube
- Transmission centers
- Independent garages
- Tire shops

TECHNICAL DATA	
Max Pressure	116 psi (8 bar)
Service Bulletin	SB 1154

MODELS AVAILABLE	DESCRIPTION
1200-024	Pressurized Dispenser, MB Special

## Hose Reel Mounting Bracket



The improved 2230-014 Hose Reel Mounting Bracket now equipped with our quick-mount feature, giving you the convenience of quick installation along with the flexibility to mount directly to hose reel channels. This enhanced design makes installation faster and easier while maintaining a secure, reliable fit.

MODEL AVAILABLE	DESCRIPTION
2230-014	Hose Reel Mounting Bracket

# NEX-U ZIGBEE Lan Extender



Enables reliable Ethernet communication between Nex-u field devices and the central Nex-u software across long distances.

MODELS	DESCRIPTION
3110-156	Data Rate: Up to 72.2 Mbps Power Supply: 5 VDC power supply with barrel connector included Operating Temperature: 32° F to 104° F

MODELS AVAILABLE	DESCRIPTION
3110-156	ZIGBEE Lan Extender

# **Balcrank**

Fluid Dispensing Systems

## **Balcrank Corporation**

90 Monticello Road  
Weaverville, NC 28787, USA  
Tel.: (800) 747-5300 or (828) 645-4261  
Fax: (800) 763-0840 or (828) 658-0840  
info@balcrank.com  
www.balcrank.com  
www.shopbalcrank.com

## **Customer Support**

Tel.: (800) 747-5300 or (828) 645-4261  
(Monday to Friday, 8:00 AM - 5:00 PM ET)

- Order entry
- Product availability and information
- Pricing
- Shipping dates and delivery information
- Return Merchandise Authorization

## **Technical Support**

Tel.: (800) 747-5300 or (828) 645-4261  
(Monday to Friday, 8:00 AM - 5:00 PM ET)

- Repair advice
- Product application recommendations
- Warranty claims and returns
- Service bulletins

## **Place an Order**

Tel.: (800) 747-5300 or (828) 645-4261

Fax: (800) 763-0840 or (828) 658-0840

- Fax orders day or night
- Order confirmed next business day by fax or e-mail

## **E-mail: [orders@balcrank.com](mailto:orders@balcrank.com)**

## **Online: [www.shopbalcrank.com](http://www.shopbalcrank.com)**

- Upload to Cart feature
- Place orders online 24/7
- Four convenient ways to shop
- Search by product name or number
- Browse the site and add to cart
- Copy past orders to create a duplicate order
- Rapid order entry feature
- Pricing is live and specific to your account
- Build, print, save, and manage quotes for access at a later date
- Track shipped orders
- Easy management of personnel access and assigned permissions